

Product description

Dual-line distributor ZV-B

P_2017_1_GB_ZVB



Product characteristics:

- + Dual-line manifold block
- + Grease and oil
- + up to 8 outlets
- + Metered volume 0.5 / 1.5 / 3.0 cm³
- + Material: machining steel or stainless 1.4404

Application

The distributors ZV-B are used for dual-line central lubrication systems for grease and for oil. Their function is to meter the lubricant and to press it through the lines to the lubrication points independently of back pressure.

Advantages

- + system can be easily extended by additional dividers
- + visual control of divider cycles
- + exact delivery rate per outlet
- + delivery rate per outlet continuously adjustable
- + electrical monitoring at option



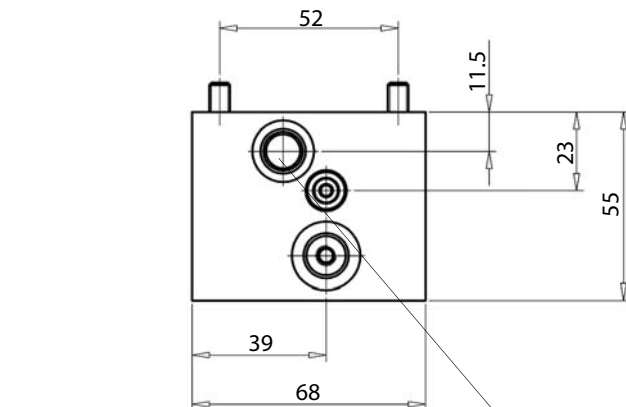
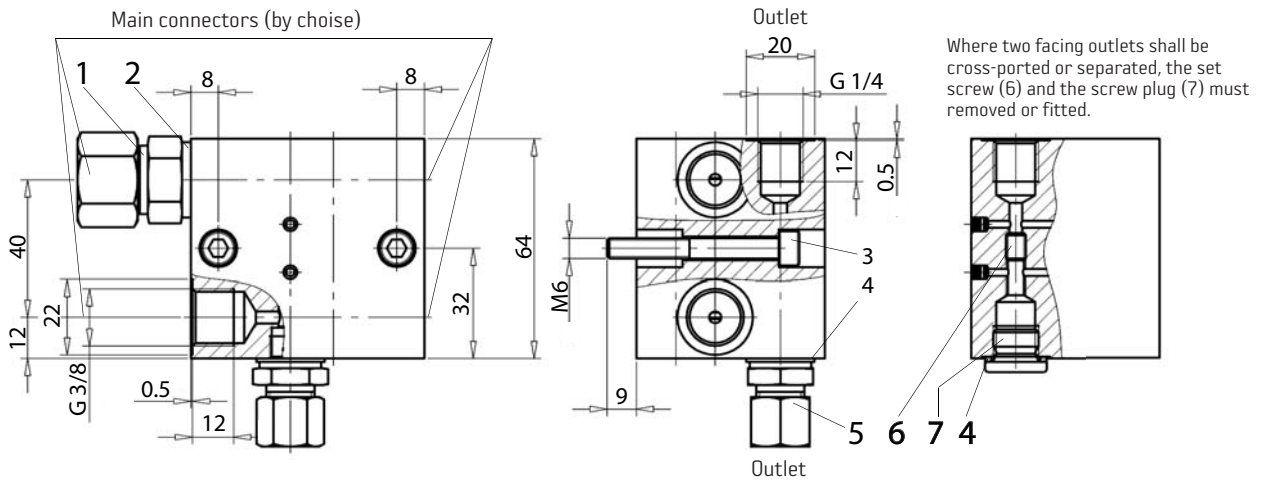
Design

The distributors ZV-B are block type designed, and constructed in different metering volumes. Each distributor has two threaded holes G 3/8 on each of its two faces for the optional connection of the two main lines. For the connection of the friction point lines, the distributor has two to eight threaded holes G 1/4. The distributor does not have springs and works hydraulically, operated by the lubricant.

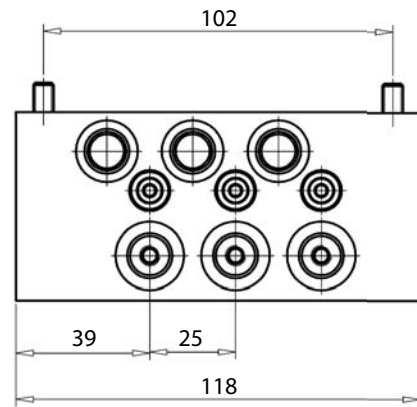
Function

The distributor ZV-B has one metering piston and one control piston for every two lubrication points, connected. Depending on either main line no. I or main line no. II is pressurized, where the second main line must be relieved of pressure, only that lubrication point will be served which is associated with the main line concerned. As a result, an operating cycle always includes two lubricating strokes.

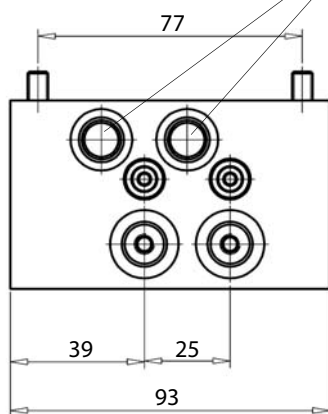
Dimensions (mm)



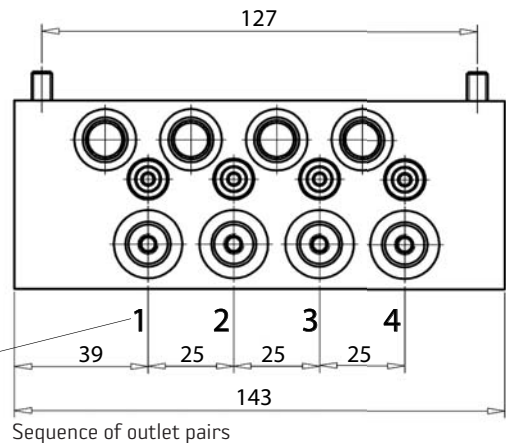
Distributor with 1 or 2 outlets



Distributor with 5 or 6 outlets



Distributor with 3 or 4 outlets



Distributor with 7 or 8 outlets

Connection for metering volume adjustment

Specification

Working pressure max. :	400 bar
Actuating pressure min. :	10 bar
Metering volume:	0.5; 1.0 or 3.0 cm ³
Actuating volume:	0.3 cm ³
Number of outlets:	1 to 8
Temperature range (distributor with electrical monitoring):	- 20°C to + 70°C
Temperature range (distributor without electrical monitoring incl. protection cap):	- 20°C to + 120°C
Suitable lubricants on mineral oil basis:	
Grease lubricants	NLGI class 3 DIN 51818
Oil	ISO VG 68 to 1500 (DIN 51519) as service viscosity 190 mm ² /s
Synthetic lubricants	on request

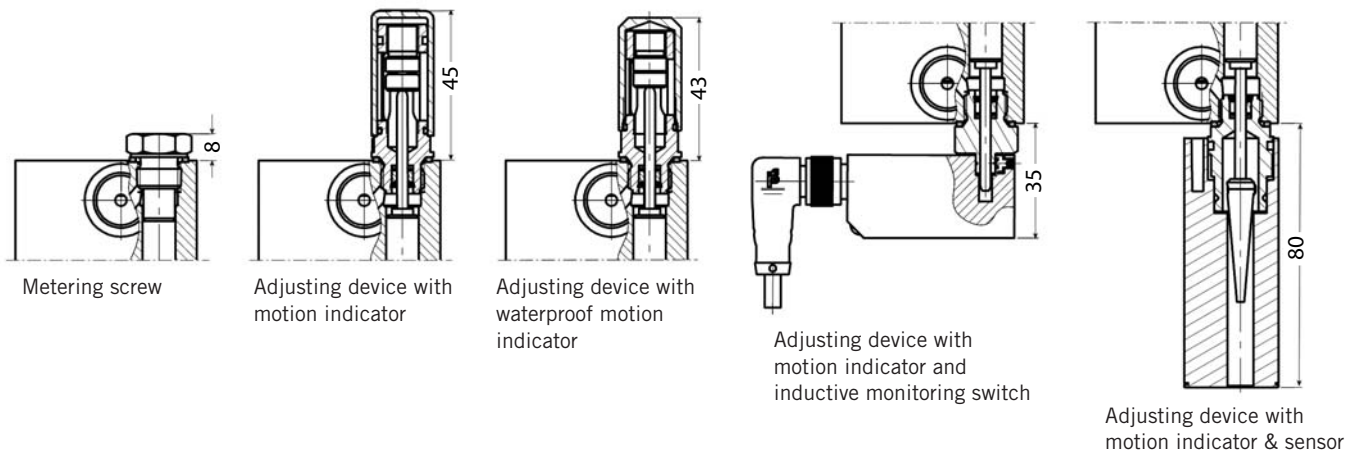


Pressurization of the distributors with more than 400 bar means danger to life and limb of persons.

Specifications for inductive sensor see data sheet: 66925S001_20XX_X_D-GB.

Specifications for monitoring switch see data sheet: 66925P1.

Dosing possibilities:



The above mentioned dosing selection offers a wide range of setting and monitoring options for the user:

- fixed dosage quantities by means of metering screws
- infinitely variable dosage quantities by means of adjusting devices
- the motion indicator provides a simple visual control of the distributor function protected by a plastic or brass cap
- the monitoring switch detects the end position of the delivery piston and provides an electrical signal to the superior controller
- the electronic sensor is used for the complete monitoring of the lubrication point with regard to function, exact dosing quantity and early detection of failures

Coding / Example of order

		Code					
		ZVB	03	A	05	21	00
Distributor type	Distributor ZV-B	ZVB					
Number of outlets	1 outlet (steel)		01				
	2 outlets (steel)		02				
	3 outlets (steel)		03				
	4 outlets (steel)		04				
	5 outlets (steel)		05				
	6 outlets (steel)		06				
	7 outlets (steel)		07				
	8 outlets (steel)		08				
Number of outlets	1.4305						
	1 outlet (stainless)	E1	F1				
	2 outlets (stainless)	E2	F2				
	3 outlets (stainless)	E3	F3				
	4 outlets (stainless)	E4	F4				
	5 outlets (stainless)	E5	F5				
	6 outlets (stainless)	E6	F6				
	7 outlets (stainless)	E7	F7				
	8 outlets (stainless)	E8	F8				
Revision	Status			A			
Metered volume	0.5 cm ³				05		
	1.5 cm ³				15		
	3.0 cm ³				30		
	If there is no need for a subsequent change of the dosage, the piston stroke is limited by a metering screw. As a result, the piston always delivers the maximum amount of lubricant during each stroke. If an adjusting device is provided instead of the metering screw, the piston stroke and thus the dosage can be changed with it. The minimum dosage is about 1/4 of the maximum amount.						
Metering	Metering screw 1/1 for 7 and 8 outlets					01	
	Adjusting device with motion indicator + monitoring switch, for 1 to 8 outlets					09	
	Metering screw 1/1 für 1 + 2 outlets					20	
	Metering screw 1/1 für 3 + 4 outlets					21	
	Metering screw 1/1 für 5 + 6 outlets					22	
	Adjusting device with motion indicator for 1 + 2 outlets					33	
	Adjusting device with motion indicator for 3 + 4 outlets					34	
	Adjusting device with motion indicator for 5 + 6 outlets					35	
	Adjusting device with motion indicator for 7 + 8 outlets					32	
	Metering screw 1/1 + sensor, for 1 + 2 outlets					*	
	Metering screw 1/1 + sensor, for 3 + 4 outlets					*	
	Metering screw 1/1 + sensor, for 5 + 6 outlets					*	
	Metering screw 1/1 + sensor, for 7 + 8 outlets					*	
	Adjusting device with motion indicator + sensor, für 1 + 2 outlets					*	
	Adjusting device with motion indicator + sensor, für 3 + 4 outlets					*	
	Adjusting device with motion indicator + sensor, für 5 + 6 outlets					*	
	Adjusting device with motion indicator + sensor, für 7 + 8 outlets					*	
	Adjusting device with motion indicator, 1 + 2 outlets (waterproof, brass cap)					42	
	Adjusting device with motion indicator, 3 + 4 outlets (waterproof, brass cap)					43	
	Adjusting device with motion indicator, 5 + 6 outlets (waterproof, brass cap)					44	
	Adjusting device with motion indicator, 7 + 8 outlets (waterproof, brass cap)					45	
	* Is determined by the selection of the sensor position sensor within the price list.						
Accessories	without						00
	Weld-on plate as per SMS standard for 7 and 8 outlets incl. fixing screws						01
	Weld-on plate as per SMS standard for 1 and 2 outlets incl. fixing screws						20
	Weld-on plate as per SMS standard for 3 and 4 outlets incl. fixing screws						21
	Weld-on plate as per SMS standard for 5 and 6 outlets incl. fixing screws						22

Since 1872 an innovator in lubrication technology

BIJUR DELIMON International has production facilities throughout the world, and these are certified to ISO 9001:2008 and ISO 14000. You can be confident that your centralised lubrication system satisfies the highest industrial quality standards. We are committed to quality and customer service!



USA (CORPORATE HEADQUARTERS)

BIJUR DELIMON International
2250 Perimeter Park
Suite 120
Morrisville, NC 27560

(800) 631 0168 **TOLL-FREE**
(919) 465 4448 **TEL**
(919) 465 0516 **FAX**

USA (MANUFACTURING)

BIJUR DELIMON International
2685 Airport Road
Kinston, NC 28504

(800) 227 1063 **TOLL-FREE**
(252) 527 6001 **TEL**
(252) 527 9232 **FAX**

CHINA

Nanjing Bijur Machinery Products, Ltd.
#9 Hengtong Road
Nanjing Xingang Economic & Technical
Development Zone
Nanjing 210038

(+86) 25-85801188 **TEL**
(+86) 25-85802288 **FAX**

UNITED KINGDOM

DENCO Lubrication Limited
Ramsden Court
Ramsden Road Rotherwas
Industrial Estate
Hereford, HR2 6LR

(+44) (0) 1432365000 **TEL**
(+44) (0) 1432365001 **FAX**

GERMANY

DELIMON GmbH
Arminstrasse 15
40227 Düsseldorf

(+49) 211 / 77 74-0 **TEL**
(+49) 211 / 77 74-210 **FAX**

GERMANY (MANUFACTURING)

DELIMON GmbH
Am Bockwald 4
D-08344 Grünhain-Beierfeld

(+49) 3774 65 11 0 **TEL**
(+49) 3774 65 11 30 **FAX**

IRELAND

BIJUR Lubricating Ireland Limited
Gort Road
Ennis, County Clare

(+353) 6568-21543 **TEL**
(+353) 6568-29667 **FAX**

FRANCE

BIJUR Products, Inc.
PB 50 - ZI de Courtabœuf
9, Avenue de Quebec
F-91942 Courtaboeuf Cedex

(+33) (0)169298585 **TEL**
(+33) (0)169077627 **FAX**

INDIA

Private Limited
Gat No. 448/13, Village Nighoje
Behind Mahindra Plant - Gate No. 8A
Taluka-Rajgurunagar (Khed)
District-Pune, Pin: 410 501
IND - Maharashtra

(+91) 20 2748 4372 **TEL**

AUSTRIA

DELIMON Zentralschmiertechnik GmbH
c/o CCFA - Am Heumarkt 10
A - 1030 Wien

(+43) 1 711 471 391 **TEL**
(+43) 1 711 471 398 **FAX**

SPAIN

Lubrimonsa
Lubricacion Centralizada de Limon S.A.
Avenida Txori Erri 3
8150 Sondica Vicaya

(+34) 94-453-2000 **TEL**
(+34) 94-453-2500 **FAX**

RUSSIA

OOO Bijur Delimon
Vsevolozhsky pereulok,
bld. 2, stroenie 2
119034, Moscow,
Russia

(+7) 495 637 3606 **TEL**