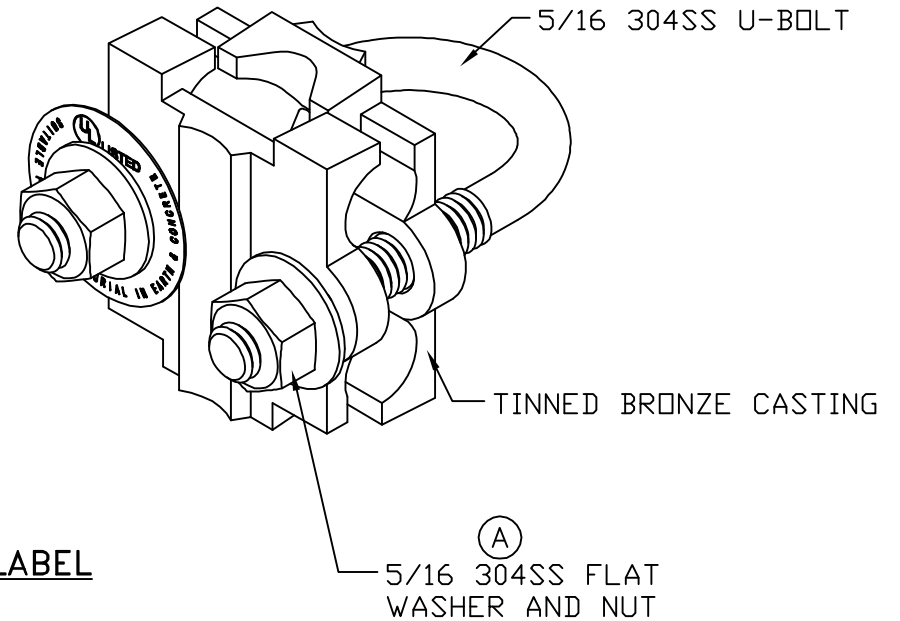


DIRECT BURIAL LABEL



FOR NOMINAL PIPE 1/2 TO 3/4
CONDUCTOR SIZES 6AWG STR. TO
250MCM

(A)

BRONZE PIPE CLAMP
1/2 TO 3/4" NOM. PIPE

EST. WEIGHT 0.47 LBS

APPROVED

AS DRAWN: _____
 AS NOTED: _____
DATE: _____

THIS DOCUMENT AND THE CONTENTS THEREOF IS THE PROPERTY OF HARGER INC., AND IS FURNISHED TO YOU FOR INFORMATION ONLY. THE INFORMATION CONTAINED HEREIN IS CONFIDENTIAL AND OF A PROPRIETARY NATURE AND MUST NOT BE DISCLOSED TO THIRD PARTIES WITHOUT THE EXPRESS WRITTEN APPROVAL OF HARGER INC.

D	ADDED MARKING ECO0116	090916	LAL
C	ADDED DB LABEL	111507	LAL
B	RAW CASTS NOW TINNED	040502	WSM
A	CORRECTED AND ADDED	032502	LAL
LET	REVISION	DATE	BY
TOLERANCES UNLESS NOTED:		3RD ANGLE PROJECTION	
FRACTIONAL	+/- 1/16		
.00	+/- .030		
.000	+/- .010		

PART NO. CPC.5/.75
GROUND ROD/PIPE CLAMP

DRAWN BY:
KAB
CHECKED BY:
-
DATE:
092100



301 ZIEGLER DRIVE
GRAYSLAKE, IL 60030
(847) 548-8700

REVISION:
D
SCALE:
FULL
SHEET:
1 OF 1