

# FHP series

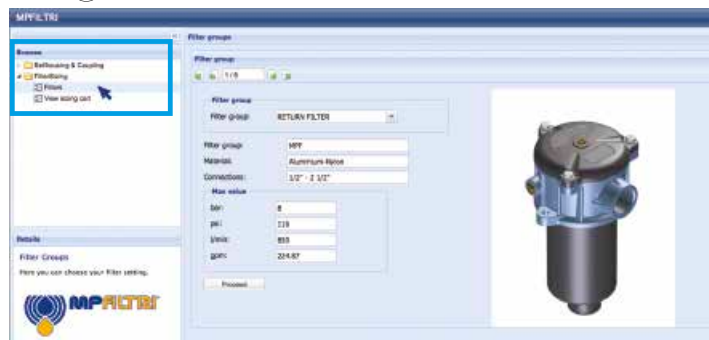
Maximum working pressure up to 42 MPa (420 bar) - Flow rate up to 630 l/min



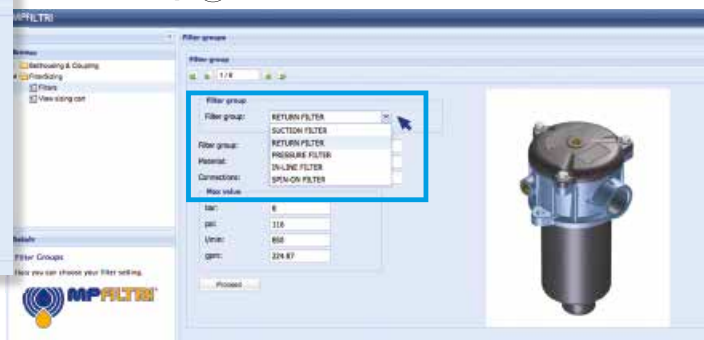


# TYPICAL FILTER SIZING Selection Software

**Step 1** Select "FILTERS"



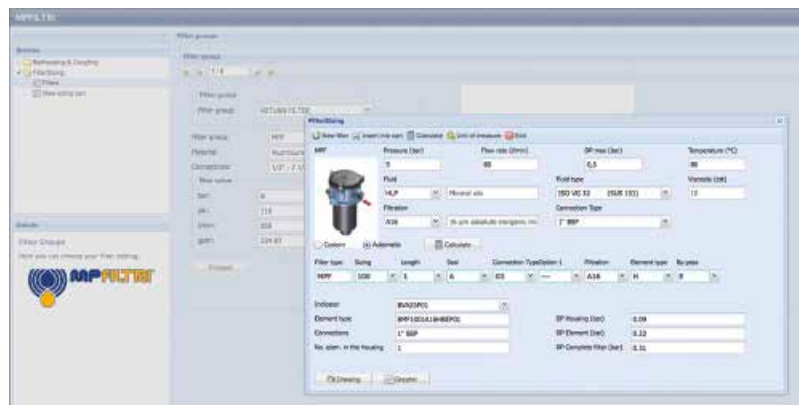
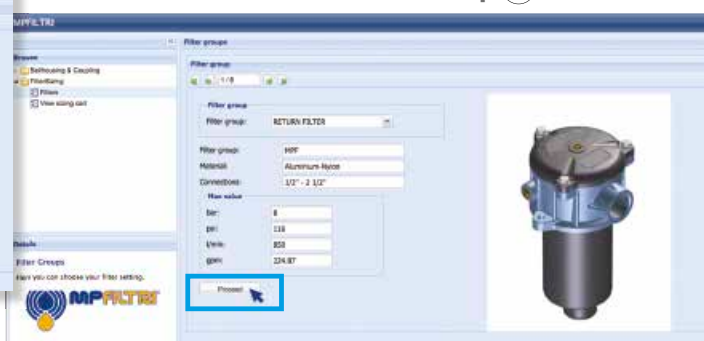
**Step 2** Choose filter group (Return Filter, Pressure Filter, etc.)



**Step 3** Choose filter type (MPF, MPT, etc.) in function of the max working pressure and the max flow rate



**Step 4** Push "PROCEED"



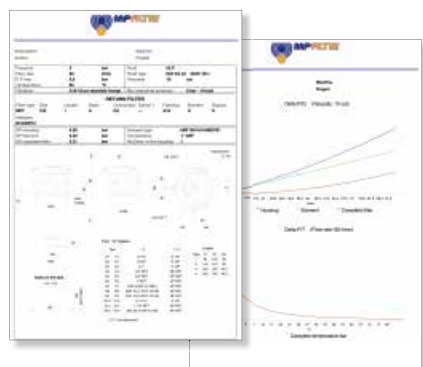
**Step 5**

Insert all application data to calculate the filter size following the sequence:

- working pressure
- working flow rate
- working pressure drop
- working temperature
- fluid material and fluid type
- filtration media
- connection type

**Step 6**

Push "CALCULATE" to have result; in case of any mistake, the system will advice which parameter is out of range to allow to modify/adjust the selection



**Step 7**

Download PDF Datasheet "Report.aspx" pushing the button "Drawing"



## Description

## Technical data

### High Pressure filters

#### In-line

**Maximum working pressure up to 42 MPa (420 bar)**

**Flow rate up to 630 l/min**

FHP is a range of versatile high pressure filter for protection of sensitive components in high pressure hydraulic systems in the industrial equipment.

They are directly connected to the lines of the system through the hydraulic fittings.

#### Available features:

- Female threaded connections up to 1 1/2" and flanged connections up to 2", for a maximum return flow rate of 750 l/min
- Fine filtration rating, to get a good cleanliness level into the system
- Bypass valve, to relieve excessive pressure drop across the filter media
- Check valve, to protect the system against reverse flow
- Reverse flow valve, to allow bidirectional flow through the filter housing. The back flow is not filtered. The filter requires the use of internal check valves to direct the flow through the element in one direction and around the element in the other
- Low collapse filter element "N", for use with filters provided with bypass valve
- High collapse filter element "H", for use with filters not provided with bypass valve
- Low collapse filter element with external support "R", for filter element protection against the back pressure caused by the check valve or the reverse flow in filters provided with the bypass valve
- High collapse filter element with external support "S", for filter element protection against the back pressure caused by the check valve or the reverse flow in filters not provided with the bypass valve
- Visual, electrical and electronic differential clogging indicators

#### Common applications:

Delivery lines, in any high pressure industrial equipment or mobile machines

#### Filter housing materials

- Head: Phosphatized cast iron
- Housing: Phosphatized steel
- Bypass valve
  - AISI 316L: FHP 010 - 011
  - Brass: FHP 065 - 135
  - Brass / AISI 304: FHP 350
  - Steel: FHP 500
- Reverse Flow
  - Steel: FHP 350 - FHP 500

- Check valve: Steel

#### Pressure

- Test pressure: 63 MPa (630 bar)
- Burst pressure: 126 MPa (1260 bar)
- Pulse pressure fatigue test: 1 000 000 cycles with pressure from 0 to 42 MPa (420 bar)

#### Bypass valve

- Opening pressure 600 kPa (6 bar) ±10%
- Other opening pressures on request.

#### Δp element type

- Microfibre filter elements - series N: 20 bar
- Microfibre filter elements - series R: 20 bar (not available for FHP 010-011 and FHP 500)
- Microfibre filter elements - series H: 210 bar
- Microfibre filter elements - series S: 210 bar (only for FHP 500)
- Wire mesh filter elements - series N: 20 bar
- Fluid flow through the filter element from OUT to IN

#### Seals

- Standard NBR series A
- Optional FPM series V

#### Temperature

From -25 °C to +110 °C

#### Connections

FHP 010 - 065 - 135 - 350 - 500:

In-line Inlet/Outlet

FHP 011:

90° Inlet/Outlet

#### Note

FHP filters are provided for vertical mounting



## Weights [kg] and volumes [dm<sup>3</sup>]

Filter series	Weights [kg]					Volumes [dm <sup>3</sup> ]						
	Length	1	2	3	4	5	Length	1	2	3	4	5
<b>FHP 010 - 011</b>		2.05	2.18	2.64	3.13	-		0.10	0.12	0.15	0.20	-
<b>FHP 065</b>		4.26	4.62	5.83	-	-		0.25	0.30	0.50	-	-
<b>FHP 135</b>		7.11	8.71	9.76	-	-		0.43	0.76	0.97	-	-
<b>FHP 350</b>		13.95	16.08	18.37	20.85	-		1.00	1.72	2.49	3.32	-
<b>FHP 500</b>		27.00	31.17	34.69	46.70	52.5		1.71	2.43	3.04	5.18	6.51

Filter series	Length	Filter element design - H Series					Filter element design - N Series					
		A03	A06	A10	A16	A25	A03	A06	A10	A16	A25	M25
<b>FHP 010</b>	<b>1</b>	3	5	6	7	8	4	6	8	9	10	37
	<b>2</b>	5	7	13	16	22	6	8	16	19	24	40
	<b>3</b>	10	13	22	25	30	11	14	23	26	31	41
	<b>4</b>	12	15	25	27	32	16	19	27	30	33	41
<b>FHP 011</b>	<b>1</b>	3	5	6	7	9	4	6	8	9	11	47
	<b>2</b>	5	7	14	17	24	7	9	17	21	28	52
	<b>3</b>	11	14	25	29	36	11	14	26	30	37	53
	<b>4</b>	12	16	28	32	38	17	21	32	36	40	54
<b>FHP 065</b>	<b>1</b>	24	25	50	59	84	25	33	56	63	90	142
	<b>2</b>	33	38	68	77	98	34	52	72	79	106	143
	<b>3</b>	61	70	100	107	123	61	73	101	108	125	147
<b>FHP 135</b>	<b>1</b>	49	55	95	98	147	67	72	115	122	159	184
	<b>2</b>	89	106	129	131	163	105	111	140	142	192	209
	<b>3</b>	120	132	158	166	180	141	143	176	179	193	211
<b>FHP 350</b>	<b>1</b>	108	115	188	197	301	127	140	234	282	343	451
	<b>2</b>	196	225	317	323	396	256	278	394	415	465	480
	<b>3</b>	266	310	384	392	440	331	370	450	466	475	490
	<b>4</b>	308	333	391	398	445	369	393	456	474	495	503
<b>FHP 500</b>	<b>1</b>	144	157	265	268	355	269	305	390	406	444	612
	<b>2</b>	232	262	350	363	398	321	357	433	441	484	619
	<b>3</b>	293	301	398	408	455	396	416	497	499	537	622
	<b>4</b>	336	377	452	455	507	430	475	516	524	545	626
	<b>5</b>	420	428	494	500	544	475	493	535	545	569	627

### Maximum flow rate for a complete pressure filter with a pressure drop $\Delta p = 1.5$ bar.

The reference fluid has a kinematic viscosity of 30 mm<sup>2</sup>/s (cSt) and a density of 0.86 kg/dm<sup>3</sup>.

For different pressure drop or fluid viscosity we recommend to use our selection software available on [www.mpfiltri.com](http://www.mpfiltri.com).

You can also calculate the right size using the formulas present on the FILTER SIZING paragraph at the beginning of the full catalogue or at the beginning of the filter family brochure.

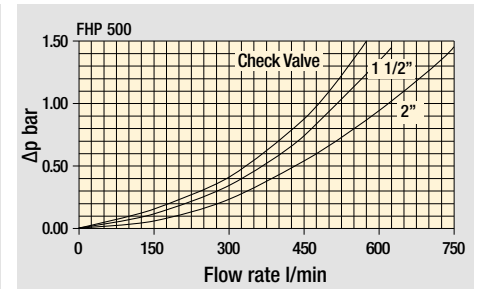
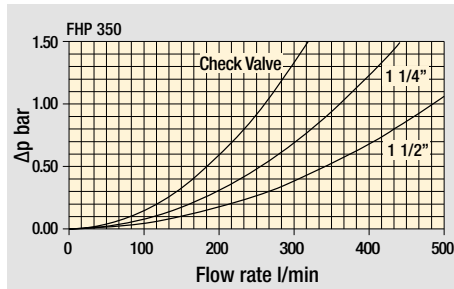
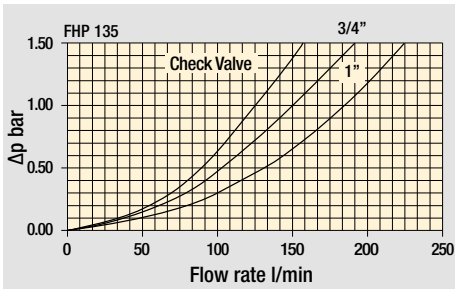
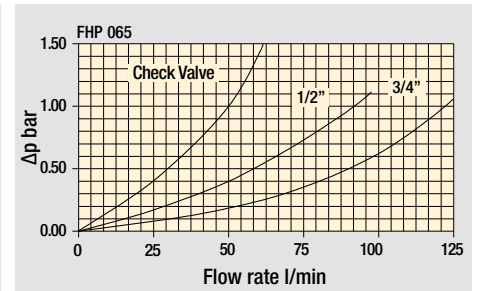
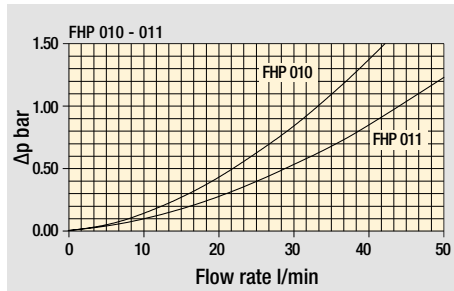
Please, contact our Sales Department for further additional information.

### Hydraulic symbols

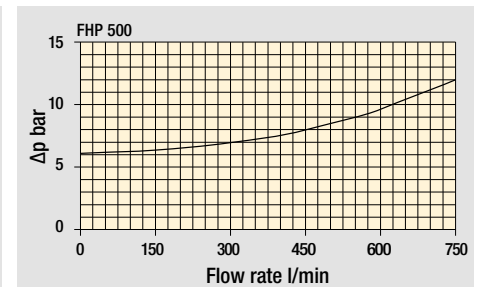
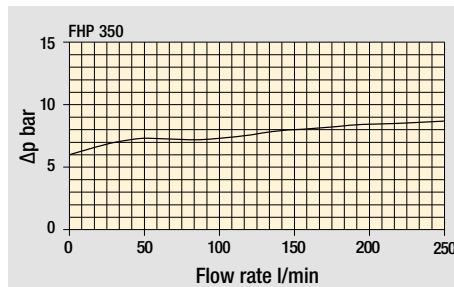
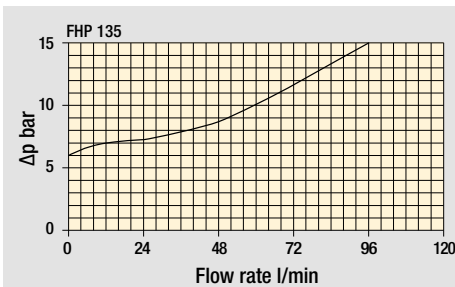
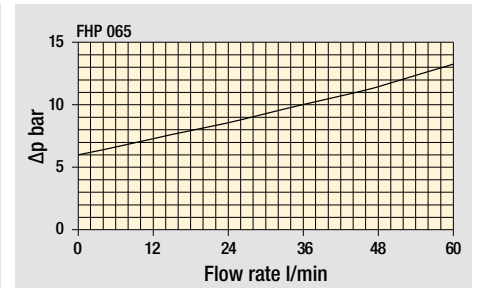
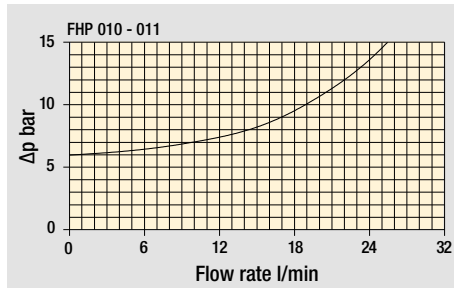
Filter series	Style S	Style B	Style T	Style D	Style V	Style Z
<b>FHP 010 - 011</b>	•	•			•	•
<b>FHP 065</b>	•	•	•			
<b>FHP 135</b>	•	•	•			
<b>FHP 350</b>	•	•	•	•	•	•
<b>FHP 500</b>	•	•	•	•	•	•

## Pressure drop

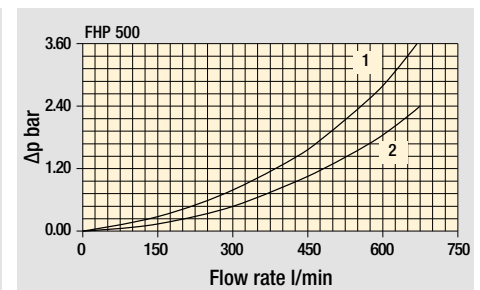
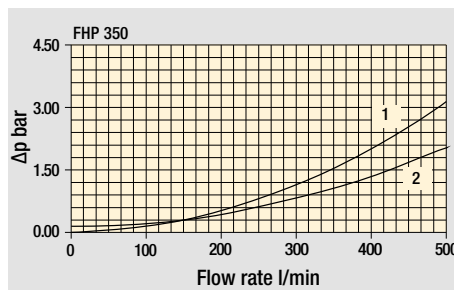
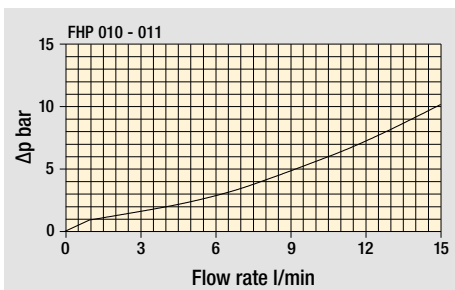
### Filter housings $\Delta p$ pressure drop



### Bypass valve pressure drop



### Valves



Filter housing with check valve

Pressure drop with reverse flow valve in  
1 - Filtering direction  
2 - Opposite direction

Pressure drop with reverse flow valve in  
1 - Opposite direction  
2 - Filtering direction

The curves are plotted using mineral oil with density of 0.86 kg/dm<sup>3</sup> in compliance with ISO 3968.  $\Delta p$  varies proportionally with density.



# FHP FHP010 - FHP011

## Designation & Ordering code

### COMPLETE FILTER

Configuration example: **FHP010** | **2** | **B** | **A** | **B** | **2** | **A03** | **N** | **P01**

**Series and size**  
**FHP010** | **FHP011**

**Length**  
**1** | **2** | **3** | **4**

**Valves**  
**S** Without bypass  
**B** With bypass 6 bar  
**V** With reverse flow, without bypass  
**Z** With reverse flow, with bypass 6 bar

**Seals**  
**A** NBR  
**V** FPM

**Connections**  
**A** G 1/4"  
**B** 1/4" NPT  
**C** SAE 5 - 1/2" - 20 UNF  
**D** G 3/8"  
**E** 3/8" NPT  
**F** SAE 6 - 9/16" - 18 UNF

**Connection for differential indicator**  
**1** Without  
**2** With connection

**Filtration rating (filter media)**

<b>A03</b> Inorganic microfiber 3 µm	<b>A16</b> Inorganic microfiber 16 µm
<b>A06</b> Inorganic microfiber 6 µm	<b>A25</b> Inorganic microfiber 25 µm
<b>A10</b> Inorganic microfiber 10 µm	<b>M25</b> Wire mesh 25 µm

Element Δp	Valves				Execution
	S	B	V	Z	
<b>N</b> 20 bar		•		•	<b>P01</b> MP Filtri standard
<b>H</b> 210 bar	•		•		<b>Pxx</b> Customized

### FILTER ELEMENT

Configuration example: **HP011** | **2** | **A03** | **A** | **N** | **P01**

**Element series and size**  
**HP011**

**Element length**  
**1** | **2** | **3** | **4**

**Filtration rating (filter media)**

<b>A03</b> Inorganic microfiber 3 µm	<b>A16</b> Inorganic microfiber 16 µm
<b>A06</b> Inorganic microfiber 6 µm	<b>A25</b> Inorganic microfiber 25 µm
<b>A10</b> Inorganic microfiber 10 µm	<b>M25</b> Wire mesh 25 µm

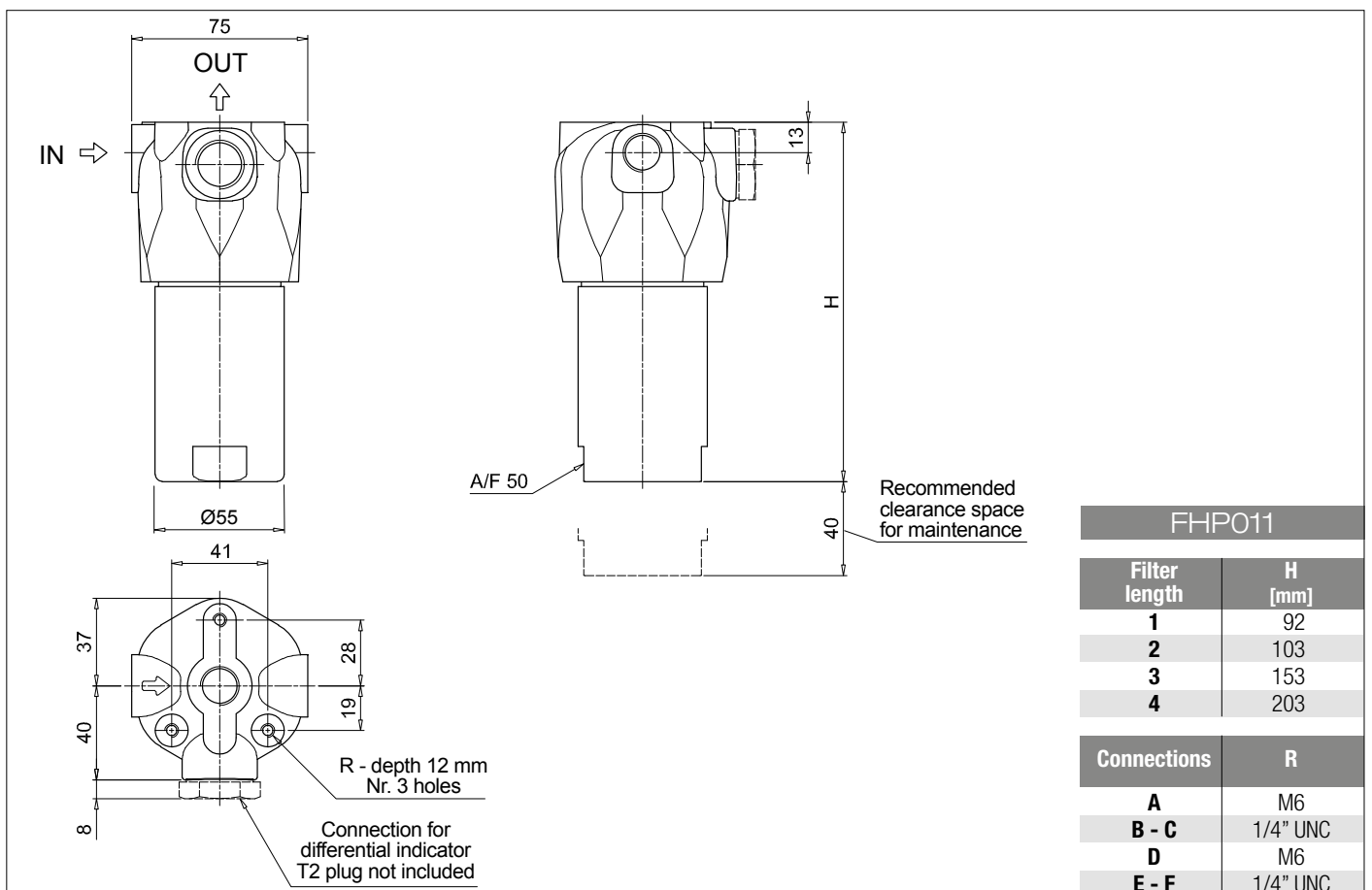
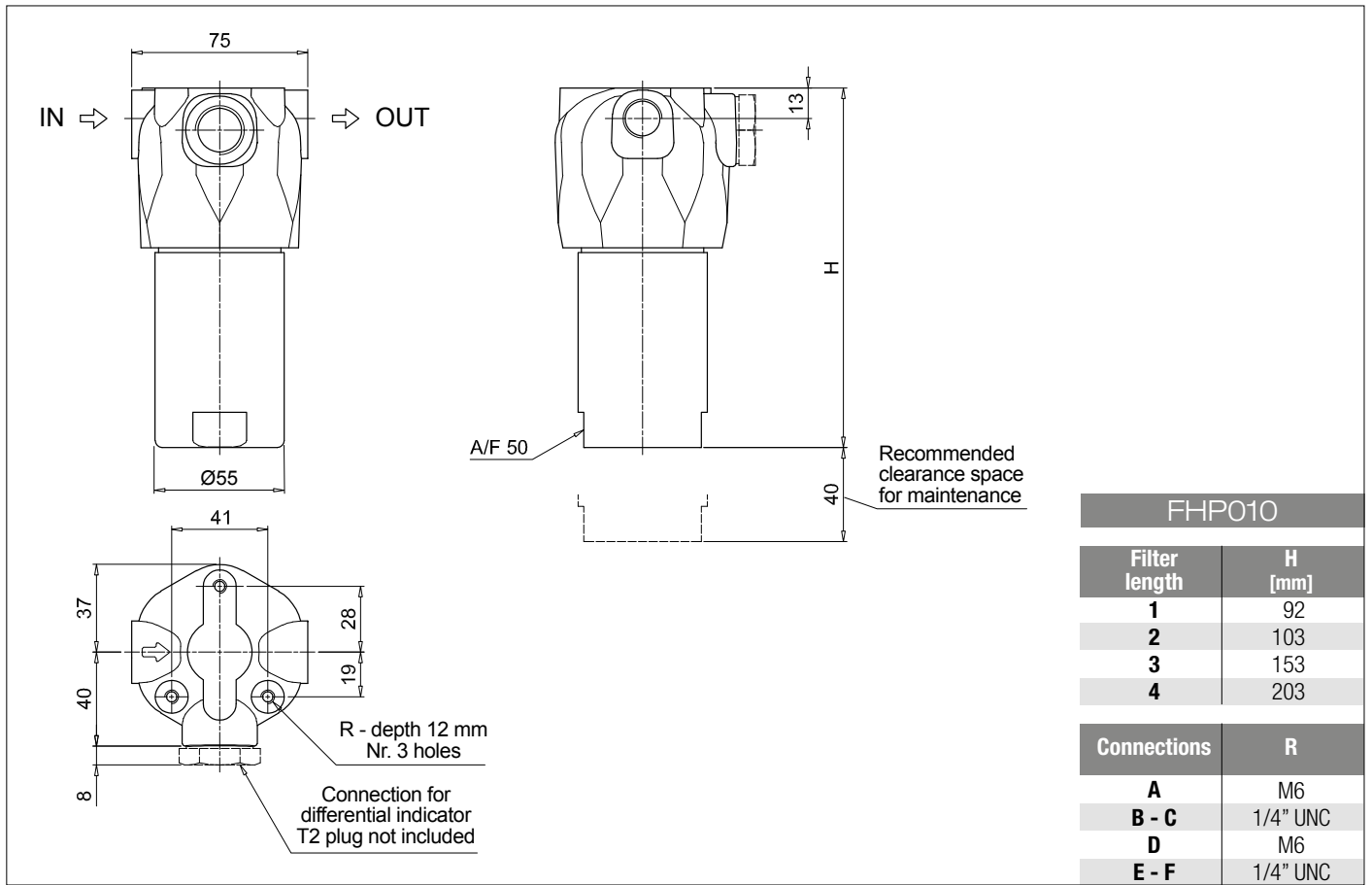
**Seals**  
**A** NBR  
**V** FPM

Element Δp	Execution
<b>N</b> 20 bar	<b>P01</b> MP Filtri standard
<b>H</b> 210 bar	<b>Pxx</b> Customized

### ACCESSORIES

Differential indicators	page		page
<b>DEA</b> Electrical differential indicator	577	<b>DLE</b> Electrical / visual differential indicator	580
<b>DEH</b> Hazardous area electronic differential indicator	577-578	<b>DTA</b> Electronic differential indicator	581
<b>DEM</b> Electrical differential indicator	578-579	<b>DVA</b> Visual differential indicator	581
<b>DLA</b> Electrical / visual differential indicator	579-580	<b>DVM</b> Visual differential indicator	581
<b>Additional features</b>	page		
<b>T2</b> Plug	582		





# FHP FHP065 - FHP135

## Designation & Ordering code

### COMPLETE FILTER

Series and size **FHP065** | **FHP135** Configuration example: **FHP135** **2** **B** **A** **G3** **A06** **S** **P01**

**Length**  
**1**  
**2**  
**3**

**Valves**  
**S** Without bypass  
**B** With bypass 6 bar  
**T** With check valve, without bypass

**Seals**  
**A** NBR  
**V** FPM

Connections	FHP065	FHP135
<b>G1</b>	G 1/2"	G 3/4"
<b>G2</b>	G 3/4"	G 1"
<b>G3</b>	1/2" NPT	3/4" NPT
<b>G4</b>	3/4" NPT	1" NPT
<b>G5</b>	SAE 8 - 3/4" - 16 UNF	SAE 12 - 1 1/16" - 12 UN
<b>G6</b>	SAE 12 - 1 1/16" - 12 UN	SAE 16 - 1 5/16" - 12 UN
<b>F1</b>	-	3/4" SAE 3000 psi/M
<b>F2</b>	-	1" SAE 3000 psi/M
<b>F3</b>	-	3/4" SAE 3000 psi/UNC
<b>F4</b>	-	1" SAE 3000 psi/UNC
<b>F5</b>	-	3/4" SAE 6000 psi/M
<b>F6</b>	-	3/4" SAE 6000 psi/UNC

**Filtration rating (filter media)**

<b>A03</b>	Inorganic microfiber	3 µm
<b>A06</b>	Inorganic microfiber	6 µm
<b>A10</b>	Inorganic microfiber	10 µm
<b>A16</b>	Inorganic microfiber	16 µm
<b>A25</b>	Inorganic microfiber	25 µm
<b>M25</b>	Wire mesh	25 µm

Element Δp	S	B	T	D	V	Z
<b>N</b> 20 bar		•				
<b>R</b> 20 bar				•		•
<b>H</b> 210 bar	•					
<b>S</b> 210 bar			•		•	

**Valves**

Execution
<b>P01</b> MP Filtri standard
<b>Pxx</b> Customized

### FILTER ELEMENT

Element series and size **HP065** | **HP135** Configuration example: **HP135** **2** **A06** **A** **S** **P01**

**Element length**  
**1**  
**2**  
**3**

**Filtration rating (filter media)**

<b>A03</b>	Inorganic microfiber	3 µm	<b>A16</b>	Inorganic microfiber	16 µm
<b>A06</b>	Inorganic microfiber	6 µm	<b>A25</b>	Inorganic microfiber	25 µm
<b>A10</b>	Inorganic microfiber	10 µm	<b>M25</b>	Wire mesh	25 µm

**Seals**

<b>A</b>	NBR
<b>V</b>	FPM

**Element Δp**

<b>N</b>	20 bar
<b>R</b>	20 bar
<b>H</b>	210 bar
<b>S</b>	210 bar

**Execution**

<b>P01</b>	MP Filtri standard
<b>Pxx</b>	Customized

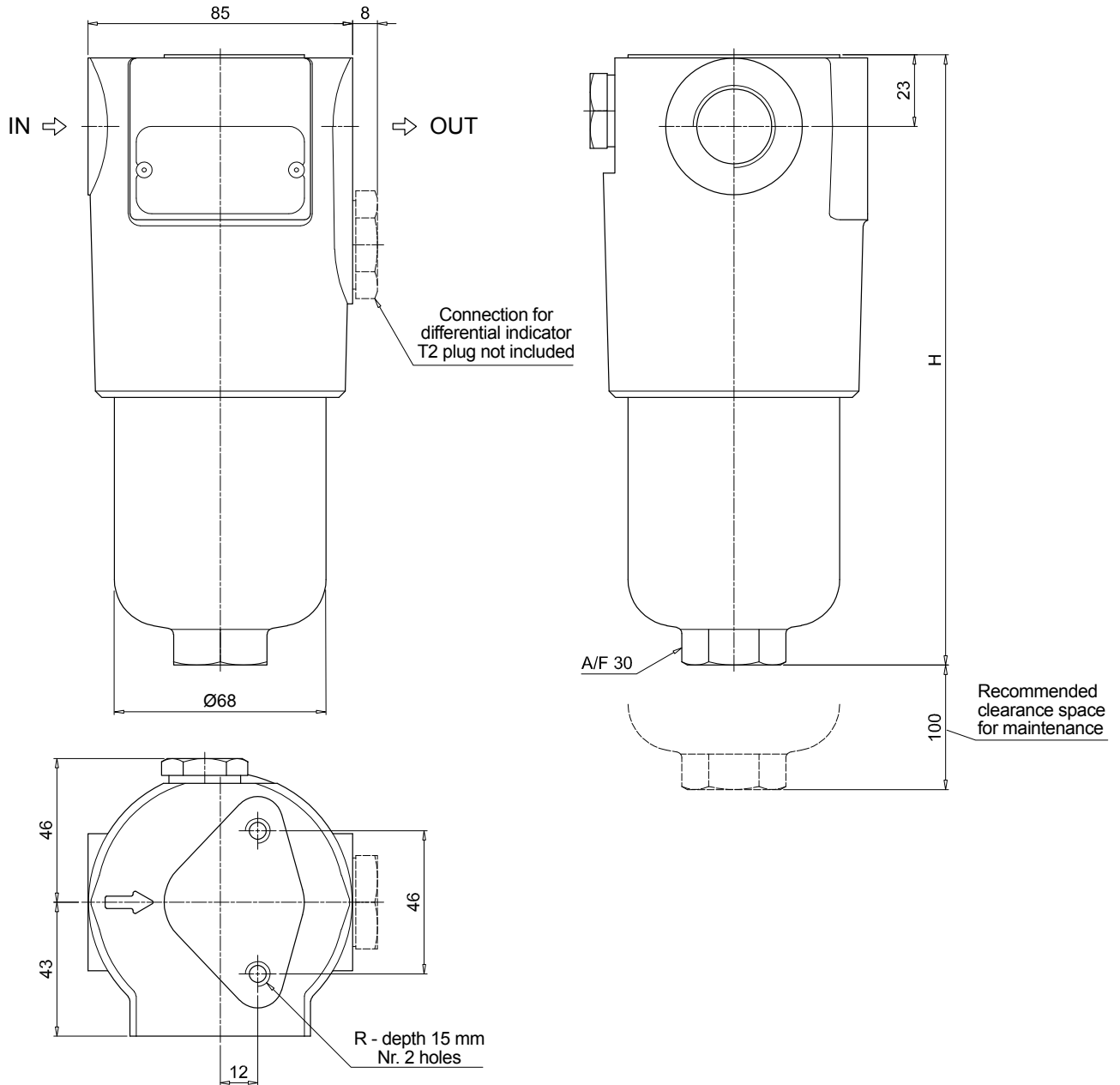
### ACCESSORIES

Differential indicators	page
<b>DEA</b> Electrical differential indicator	577
<b>DEH</b> Hazardous area electronic differential indicator	577-578
<b>DEM</b> Electrical differential indicator	578-579
<b>DLA</b> Electrical / visual differential indicator	579-580

Differential indicators	page
<b>DLE</b> Electrical / visual differential indicator	580
<b>DTA</b> Electronic differential indicator	581
<b>DVA</b> Visual differential indicator	581
<b>DVM</b> Visual differential indicator	581

**Additional features**

<b>T2</b> Plug	page 582
----------------	----------



### FHP065

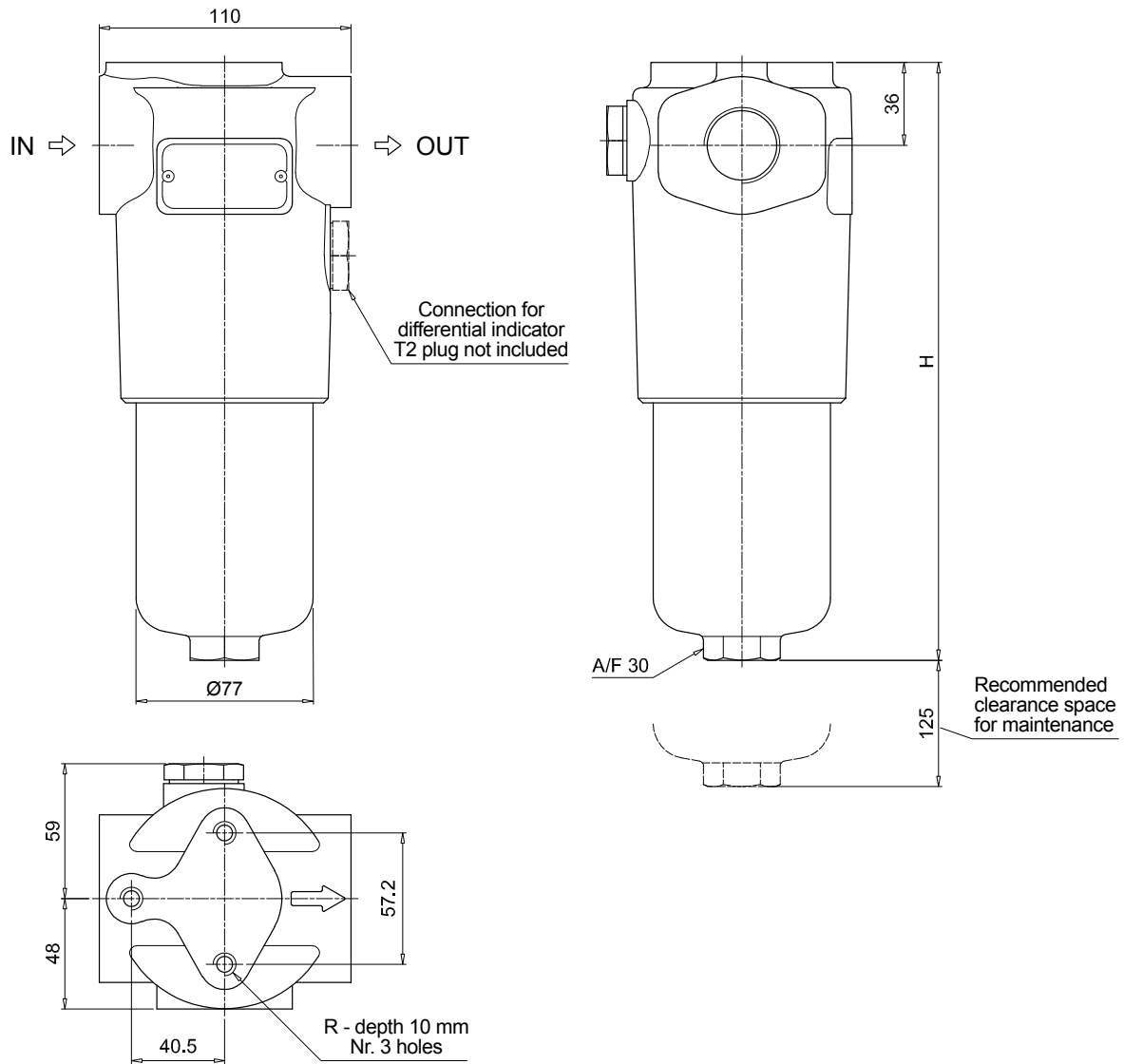
Filter length	H [mm]
1	196
2	227
3	329

Connections	R
G1-G2	M8
G3-G4-G5-G6	5/16" UNC

# FHP FHP065 - FHP135

## Dimensions



### FHP135

Filter length	H [mm]
<b>1</b>	260
<b>2</b>	373
<b>3</b>	448

Connections	R
<b>G1-G2</b>	M10
<b>G3-G4-G5-G6</b>	3/8" UNC
<b>F1-F2</b>	M10
<b>F3-F4</b>	3/8" UNC
<b>F5</b>	M10
<b>F6</b>	3/8" UNC



## Designation & Ordering code

### COMPLETE FILTER

Series and size **FHP350** Configuration example: **FHP350** **4** **B** **A** **D** **2** **A06** **N** **P01**

**Length**  
1 | 2 | 3 | 4 |

**Valves**  
**S** Without bypass  
**B** With bypass 6 bar  
**T** With check valve, without bypass  
**D** With check valve, with bypass 6 bar  
**V** With reverse flow, without bypass  
**Z** With reverse flow, with bypass 6 bar

**Seals**  
**A** NBR  
**V** FPM

**Connections**  
**A** G 1 1/2"  
**B** 1 1/2" NPT  
**C** SAE 24 - 1 7/8" - 12 UN  
**D** 1 1/2" SAE 3000 psi/M + G 1 1/4"  
**E** 1 1/2" SAE 3000 psi/UNC + 1 1/4" NPT  
**F** 1 1/2" SAE 3000 psi/UNC + SAE 20 - 1 5/8" - 12 UN  
**G** 1 1/4" SAE 3000 psi/M  
**H** 1 1/4" SAE 3000 psi/UNC  
**I** 1 1/4" SAE 6000 psi/M  
**L** 1 1/4" SAE 6000 psi/UNC

**Connection for differential indicator**  
**2** With connection

**Filtration rating (filter media)**  
**A03** Inorganic microfiber 3 µm  
**A06** Inorganic microfiber 6 µm  
**A10** Inorganic microfiber 10 µm  
**A16** Inorganic microfiber 16 µm  
**A25** Inorganic microfiber 25 µm  
**M25** Wire mesh 25 µm

Element Δp	Valves					
	S	B	T	D	V	Z
<b>N</b> 20 bar		•				
<b>R</b> 20 bar				•		•
<b>H</b> 210 bar	•					
<b>S</b> 210 bar			•		•	

Execution	Filter length			
	1	2	3	4
<b>P01</b> MP Filtri standard	•	•	•	•
<b>P02</b> Maintenance from the bottom of the housing				•
<b>Pxx</b> Customized				

### FILTER ELEMENT

Element series and size **HP320** Configuration example: **HP320** **4** **A06** **A** **N** **P01**

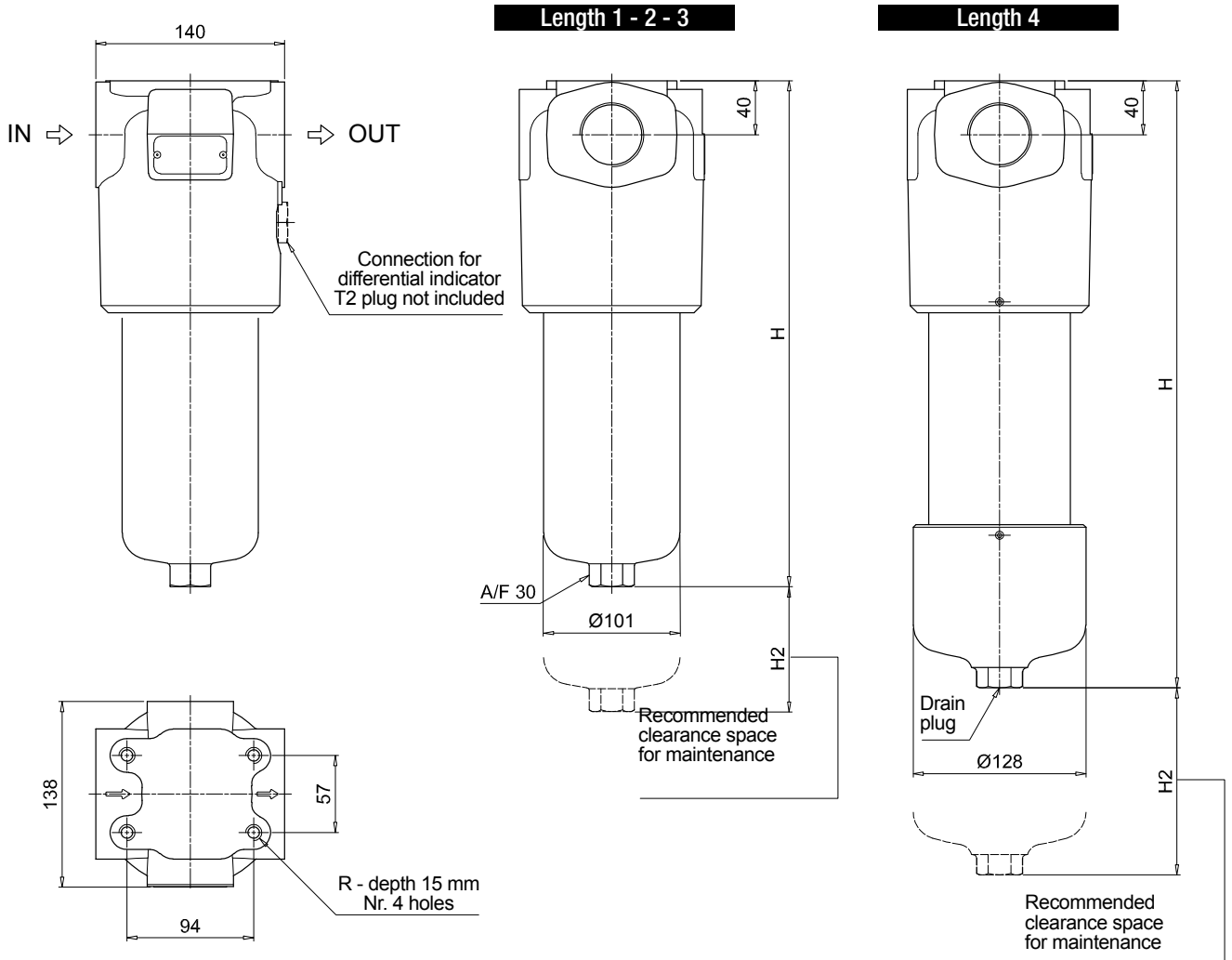
**Element length**  
1 | 2 | 3 | 4 |

**Filtration rating (filter media)**  
**A03** Inorganic microfiber 3 µm  
**A06** Inorganic microfiber 6 µm  
**A10** Inorganic microfiber 10 µm  
**A16** Inorganic microfiber 16 µm  
**A25** Inorganic microfiber 25 µm  
**M25** Wire mesh 25 µm

Seals	Element Δp	Execution
<b>A</b> NBR	<b>N</b> 20 bar	<b>P01</b> MP Filtri standard
<b>V</b> FPM	<b>R</b> 20 bar	<b>Pxx</b> Customized
	<b>H</b> 210 bar	
	<b>S</b> 210 bar	

### ACCESSORIES

Differential indicators	page		page
<b>DEA</b> Electrical differential indicator	577	<b>DLE</b> Electrical / visual differential indicator	580
<b>DEH</b> Hazardous area electronic differential indicator	577-578	<b>DTA</b> Electronic differential indicator	581
<b>DEM</b> Electrical differential indicator	578-579	<b>DVA</b> Visual differential indicator	581
<b>DLA</b> Electrical / visual differential indicator	579-580	<b>DVM</b> Visual differential indicator	581
Additional features	page		
<b>T2</b> Plug	582		



### FHP350

Filter length	H [mm]	H2 [mm]	
		Execution P01	Execution P02
1	295	150	-
2	418	150	-
3	550	150	-
4	703	150	550

Connections	R
A	M12
B - C	1/2" UNC
D	M12
E - F	1/2" UNC
G	M12
H	1/2" UNC
I	M12
L	1/2" UNC

## Designation & Ordering code

### COMPLETE FILTER

Series and size **FHP500** Configuration example: **FHP500** **4** **V** **A** **F1** **A06** **S** **P01**

#### Length

1 | 2 | 3 | 4 | 5

#### Valves

- S** Without bypass
- B** With bypass 6 bar
- T** With check valve, without bypass
- D** With check valve, with bypass 6 bar
- V** With reverse flow, without bypass
- Z** With reverse flow, with bypass 6 bar

#### Seals

- A** NBR
- V** FPM

#### Connections

- F1** 1 1/2" SAE 3000 psi/M
- F2** 1 1/2" SAE 3000 psi/UNC
- F3** 2" SAE 3000 psi/M
- F4** 2" SAE 3000 psi/UNC + 1 1/2" NPT
- F5** 1 1/2" SAE 6000 psi/M
- F6** 1 1/2" SAE 6000 psi/UNC
- F7** 2" SAE 6000 psi/M + G 1 1/2"
- F8** 2" SAE 6000 psi/UNC + SAE 24 - 1 7/8" - 12 UN

#### Filtration rating (filter media)

- A03** Inorganic microfiber 3 µm
- A06** Inorganic microfiber 6 µm
- A10** Inorganic microfiber 10 µm
- A16** Inorganic microfiber 16 µm
- A25** Inorganic microfiber 25 µm
- M25** Wire mesh 25 µm

Element Δp	Valves					
	S	B	T	D	V	Z
<b>N</b> 20 bar		•				
<b>R</b> 20 bar				•		•
<b>S</b> 210 bar	•		•		•	

Execution	Filter length				
	1	2	3	4	5
<b>P01</b> MP Filtri standard	•	•	•	•	•
<b>P02</b> Maintenance from the bottom of the housing				•	•
<b>P03</b> Drain plug	•	•			
<b>Pxx</b> Customized	•	•	•	•	•

### FILTER ELEMENT

Element series and size **HP500** Configuration example: **HP500** **4** **A06** **A** **S** **P01**

#### Element length

1 | 2 | 3 | 4 | 5

#### Filtration rating (filter media)

- A03** Inorganic microfiber 3 µm
- A06** Inorganic microfiber 6 µm
- A10** Inorganic microfiber 10 µm
- A16** Inorganic microfiber 16 µm
- A25** Inorganic microfiber 25 µm
- M25** Wire mesh 25 µm

Seals	
<b>A</b>	NBR
<b>V</b>	FPM

Element Δp	
<b>N</b>	20 bar
<b>R</b>	20 bar
<b>S</b>	210 bar

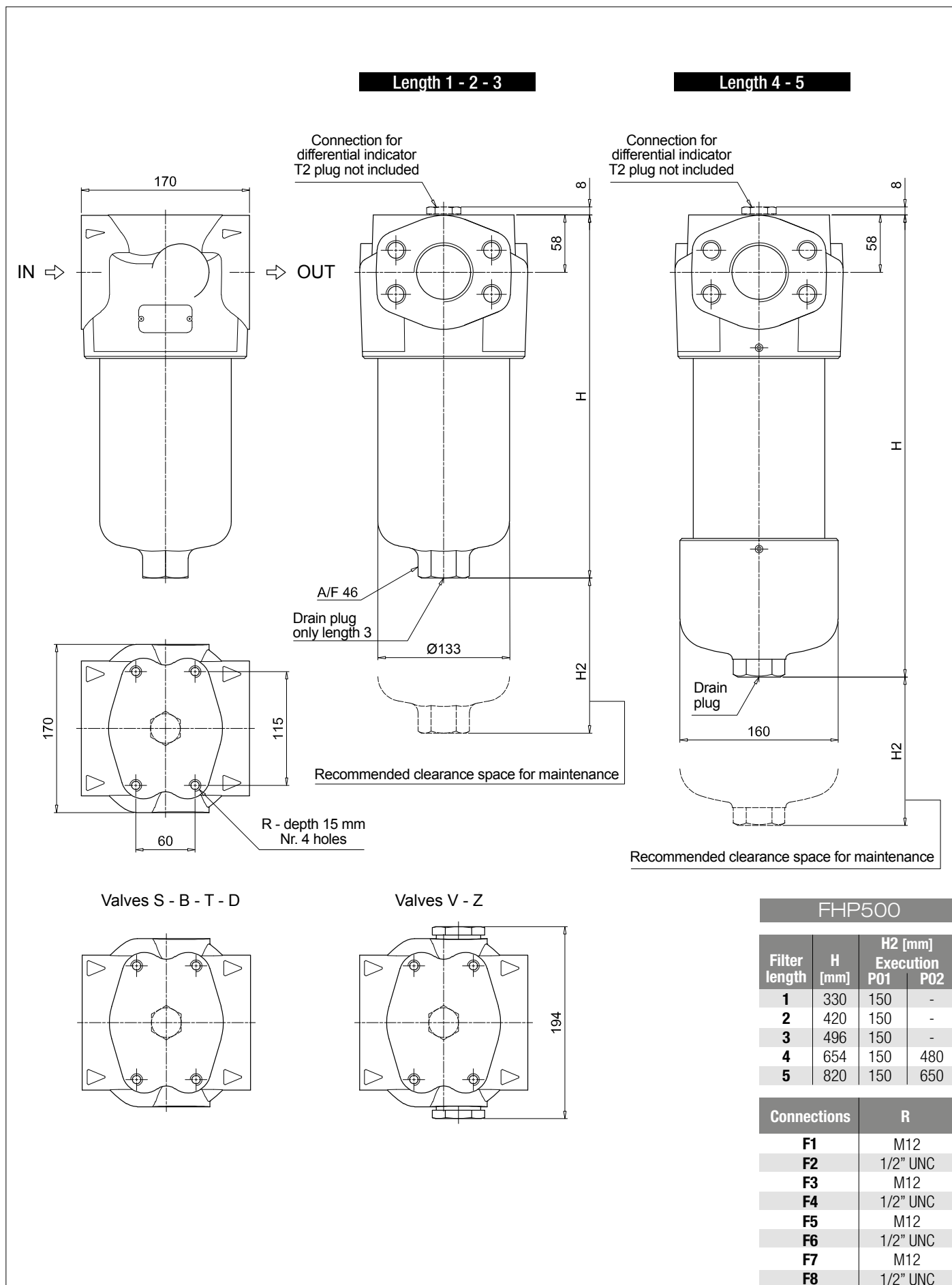
Execution	
<b>P01</b>	MP Filtri standard
<b>Pxx</b>	Customized

### ACCESSORIES

Differential indicators	page	Differential indicators	page
<b>DEA</b> Electrical differential indicator	577	<b>DLE</b> Electrical / visual differential indicator	580
<b>DEH</b> Hazardous area electronic differential indicator	577-578	<b>DTA</b> Electronic differential indicator	581
<b>DEM</b> Electrical differential indicator	578-579	<b>DVA</b> Visual differential indicator	581
<b>DLA</b> Electrical / visual differential indicator	579-580	<b>DVM</b> Visual differential indicator	581

Additional features	page
<b>T2</b> Plug	582

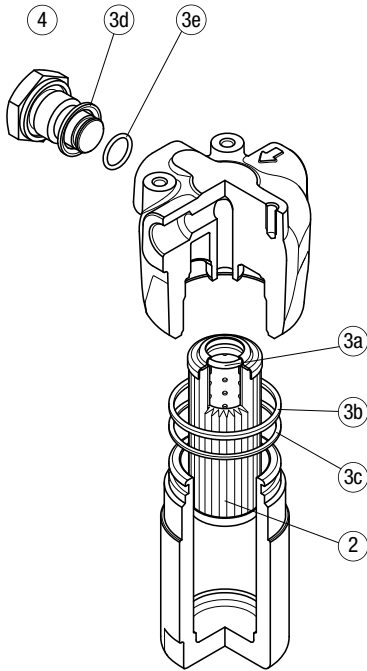




# FHP SPARE PARTS

Order number for spare parts

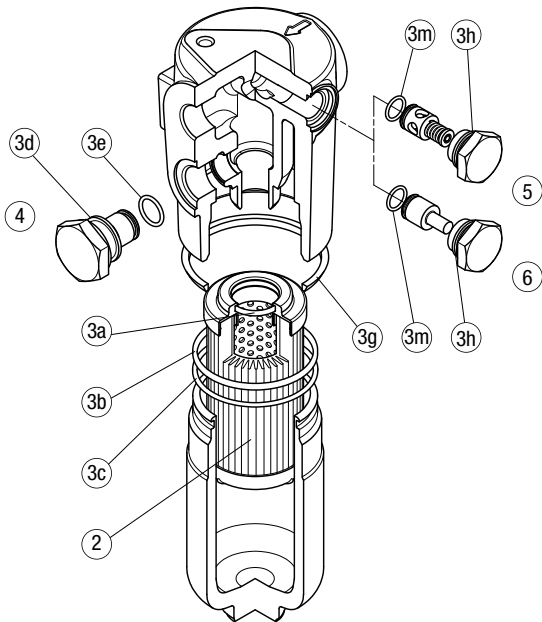
## FHP 010 - 011



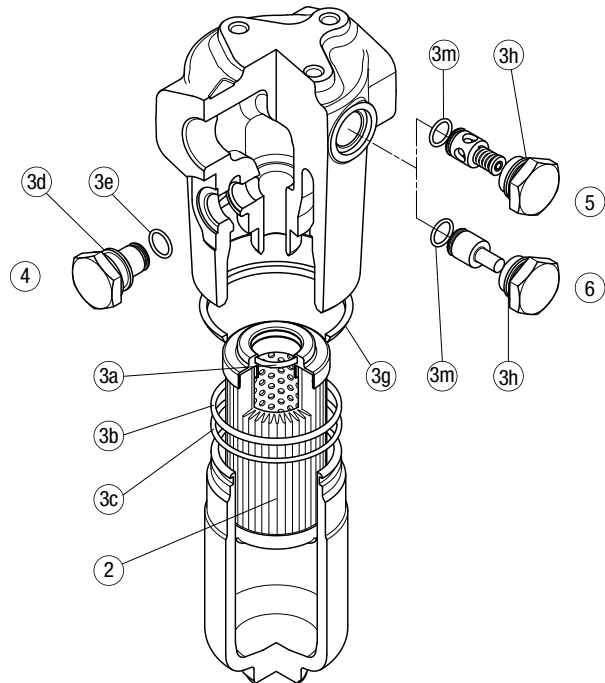
Q.ty:  
nr. 0 pcs. for version 1  
(without indicator port)  
  
nr. 1 pc. for version 2  
(with indicator port)

Item:	Q.ty: 1 pc. 2	Q.ty: 1 pc. 3 (3a ÷ 3e)		Q.ty: 1 pc. 4	
Filter series	Filter element	Seal Kit code number		Indicator connection plug	
		NBR	FPM	NBR	FPM
<b>FHP 010-011</b>	See order table	02050501	02050492	T2H	T2V

## FHP 065



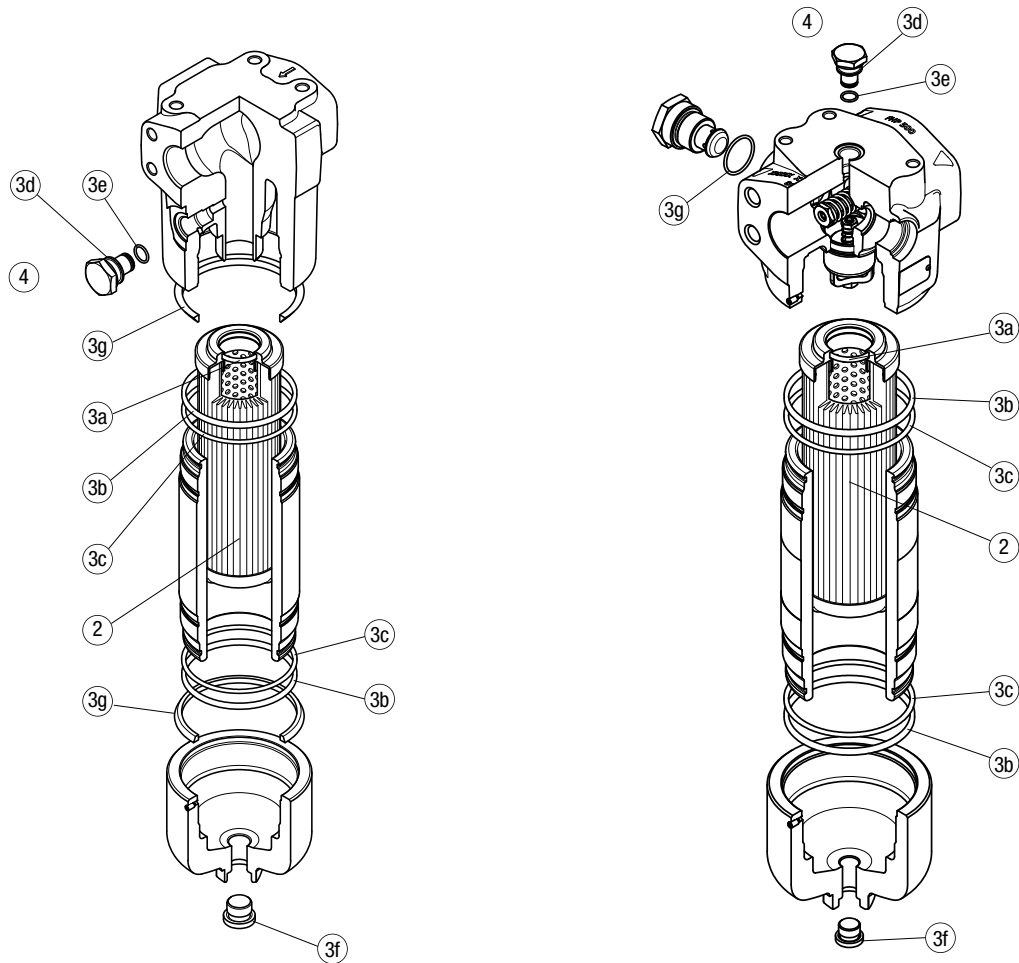
## FHP 135



Item:	Q.ty: 1 pc. 2	Q.ty: 1 pc. 3 (3a ÷ 3m)		Q.ty: 1 pc. 4		Q.ty: 1 pc. 5		Q.ty: 1 pc. 6	
Filter series	Filter element	Seal Kit code number		Indicator connection plug		Bypass assembly		Non-bypass assembly	
		NBR	FPM	NBR	FPM	NBR	FPM	NBR	FPM
<b>FHP 065</b>	See order table	02050265	02050276	T2H	T2V	02001116	02001136	02001142	02001139
<b>FHP 135</b>		02050269	02050280			02001117	02001137	02001143	02001392

FHP 350

FHP 500



Item:	Q.ty: 1 pc. 2	Q.ty: 1 pc. 3 (3a ÷ 3g for FHP 350) (3a ÷ 3f for FHP 500)		Q.ty: 1 pc. 4	
Filter series	Filter element	Seal Kit code number		Indicator connection plug	
		NBR	FPM	NBR	FPM
<b>FHP 350</b>	See order table	02050272	02050283	T2H	T2V
<b>FHP 500</b>		02050330	02050331		