

規格書




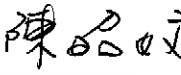
SPECIFICATION

品名 SWITCHING POWER SUPPLY
 STYLE NAME :

型號 H1U-5300V
 MODEL NO. :

料號
 PART NO. :

版次 A2
 REVISION :

APPROVE 核准	 Feb. 13, 2009	正式資料 用章	
CHECK BY 審核	 Feb 13 '2009		
FORM MAKER 經辦	 FEB. 13, 2009		

新巨企業股份有限公司
 電源事業處
 ZIPPY TECHNOLOGY CORP.
 POWER DIVISION

10F, NO. 50 MIN CHYUAN RD.,
 SHIN-TIEN CITY, TAIPEI HSIEN,
 TAIWAN, R.O.C.
 TEL. : +886(2)29188512
 FAX. : +886(2)29134969

Revisions

Rev.	Page	Item	Date	Description
A2	10	11.0	FEB.13.2009	ADD Fan speed control voltage

MODEL NO. H1U-5300V

- 1.0 Scope
- 2.0 Input requirements
 - 2.1 Voltage
 - 2.2 Frequency
 - 2.3 Stead-state current
 - 2.4 Inrush current
 - 2.5 Power factor correction
- 3.0 Output requirements
 - 3.1 DC load requirements
 - 3.2 Regulation
 - 3.3 Ripple and noise
 - 3.3.1 Specification
 - 3.3.2 Ripple voltage test circuit
 - 3.4 Overshoot
 - 3.5 Efficiency
 - 3.6 Typical Distribution of Efficiency
 - 3.7 Remote on/off control
- 4.0 Protection
 - 4.1 Input
 - 4.2 Output
 - 4.2.1 OPP
 - 4.2.2 OVP
 - 4.2.3 Short current
- 5.0 Power supply sequencing
 - 5.1 Turn on
 - 5.2 Hold up time
 - 5.3 Power off sequence
- 6.0 Signal requirements
 - 6.1 Power good (POR)
 - 6.2 Under voltage sense level
- 7.0 Environment
 - 7.1 Temperature
 - 7.2 Humidity
 - 7.3 Insulation resistance
 - 7.4 Dielectric withstanding voltage
 - 7.5 Leakage current

8.0 Safety

8.1 UL & UL+C

8.2 TUV

8.3 Power Line Transient

8.4 REF/EMI Standards

9.0 Reliability

9.1 Burn in

10.0 Mechanical requirements

10.1 Physical dimension

11.0 Fan speed control voltage

1.0 Scope

This specification defines the performance characteristics of a grounded , single-phase , 300watts , 5 output level power supply. This specification also defines world wide safety requirements and manufactures process test requirements.

2.0 Input requirements

2.1 Voltage (sinusoidal)

Full range 100~240 VAC (With ± 10% tolerance)

2.2 Frequency

The input frequency range will be 47hz~63hz.

2.4 Steady-state current

4 ~ 2 amps maximum at any low/high range input voltage.

2.5 Inrush current

20/40 amps @110/220 VAC (at 25 degrees ambient cold start)

2.6 Power factor correction

PFC can reach the target of 95% @ 115V,full load, following the standard of EN 61000-3-2.

3.0 Output requirements

3.1 DC load requirements

Normal Output voltage	Load current		Regulation tolerance	
	Max.	Min	Max.	Min.
+5V	18	1.0	+5%	-5%
+12V	22	1.0	+5%	-5%
-12V	0.5	0.1	+10%	-10%
+3.3V	16	1.0	+5%	-5%
+5VSB	2	0.1	+5%	-5%

*** +5V and +3.3V total output max : 25A ***

*** +5V,+3.3V and +12V total max:284W ***

*** Total power: 300W

Cross regulation shall include 80% max. Load & 20% max. Load any associate at any output

3.2 Regulation and protection

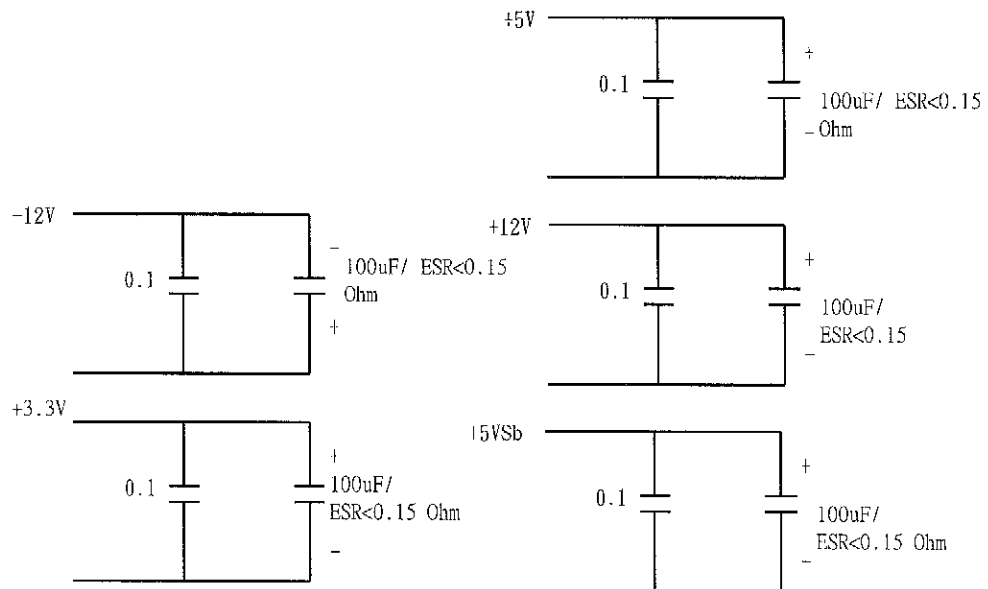
Output DC voltage	Line regulation
+5V	± 50mV
+12V	± 100mV
-12V	± 120mV
+3.3V	± 50mV
+5VSB	± 50mV

3.3 Ripple and noise

3.3.1 Specification

+5V	50mV (P-P)
+12V	120mV (P-P)
-12V	120mV (P-P)
+3.3V	50mV (P-P)
+5VSB	50mV (P-P)

3.3.2 Ripple voltage test circuit



0.1uf is ceramic, the other is tantalum.
Noise bandwidth is from DC to 20Mhz

3.4 Overshoot

Any overshoot at turn on or turn off shall be less than 15% of the nominal voltage value , all output shall be within the regulation limit of section 3.2 before issuing the power good signal of section 6.0.

3.5 Efficiency

Power supply efficiency typical 80-84% at 115V FULL LOAD

3.6 Typical Distribution of Efficiency

20% Max load, Efficiency test condition @ Ambient temperature 30 degrees							
Voltage	+12V	+5V	-12V	+3.3V	+5VSB	AC INPUT Voltage	
						115V	230V
Load	3.1A	2.6A	0.1A	2.3A	0.3A	>80%	>80%
50% Max load, Efficiency test condition @ Ambient temperature 30 degrees							
Voltage	+12V	+5V	-12V	+3.3V	+5VSB	AC INPUT Voltage	
						115V	230V
Load	7.8A	6.4A	0.2A	5.7A	0.7A	>82%	>84%
80% Max load, Efficiency test condition @ Ambient temperature 30 degrees							
Voltage	+12V	+5V	-12V	+3.3V	+5VSB	AC INPUT Voltage	
						115V	230V
Load	12.5A	10.2A	0.3A	9.1A	1.1A	>80%	>82%
100% Max load, Efficiency test condition @ Ambient temperature 30 degrees							
Voltage	+12V	+5V	-12V	+3.3V	+5VSB	AC INPUT Voltage	
						115V	230V
Load	15.6A	12.8A	0.4A	11.4A	1.4A	>80%	>82%

P.S:

Any difference either on the DC output cable (i.e., length, wire gauge) or on the accurate of instruments will conclude different test result.

3.7 Remote on/off control

The power supply DC outputs (with the exception of +5VSB) shall be enabled with an active-low , TTL-compatible signal(“PS-ON”)

When PS-ON is pulled to TTL low , the DC outputs are to be enabled.

When PS-ON is pulled to TTL high or open circuited , the DC outputs are to be disabled.

The DC output enable circuit shall be SELV compliant.

4.0 Protection

4.1 Input (primary)

The input power line must have an over power protection device in accordance with safety requirement of section 8.0

4.2 Output (secondary)

4.2.1 Over power protection

Over power protection at 110%~160% of rated output power .The power supply latches all DC output into a shutdown state. Over power of this type shall cause no damage to power supply , after over power is removed and a power on/off cycle is initiated , the power supply will restart.

4.2.2 Over voltage protection

If an over voltage fault occurs (internal of the power supply) , the power supply will latch all DC output into a shutdown state before

- +5V : 5.6V ~ 6.6V
- +3.3V : 3.8V ~ 5V
- +12V : 13.2V ~ 14.6V

4.2.3 Short circuit

- A: A short circuit placed on any DC output to DC return shall cause no damage.
- B: The power supply shall be latched in case any short circuit is taken place at +5V, +3.3V, +12V output.
- C: The power supply shall be auto-recovered in case any short circuit is taken place at -12V, +5Vsb

5.0 Power supply sequencing

5.1 Power on (see fig.1)

5.2 Hold up time

When power shutdown DC output 5V must be maintain 16msec in regulation limit at normal input voltage.

5.3 Power off sequence (see fig. 1)

6.0 Signal requirements

6.1 Power good signal (see fig. 1)

The power supply shall provide a "power good" signal to reset system logic , indicate proper operation of the power supply , and give advance warning of impending loss of regulation at turn off. This signal shall be a TTL compatible up level (2.4V to 5.25V) when +5V output voltage are present and above the minimum UV sense levels specified in paragraph 6.2 , or a down level (0.0V to 0.8V) when any output is below its minimum UV sense level.

At power on , the power good signal shall have a turn on delay of at least 100ms but not greater than 500ms after the output voltages have reached their respective minimum sense levels.

6.2 Under voltage (UV) sense levels

Output	Minimum sense voltage
+5V	+4.50V
+3.3V	+2.50V

7.0 Environment

7.1 Temperature

Operating temperature	0 to 40 degrees centigrade (Evaluated for UL recognition at an operating temperature of 25°C ambient)
Storage temperature	-20 to 80 degrees centigrade
Safety regulation temperature	Applied at room temperature (25°C)
Operating temperature from 0°C	should start from AC 100V

7.2 Humidity

Operating humidity	20% to 80%
Non-operating humidity	10% to 90%

7.3 Insulation resistance

Primary to secondary	: 50 meg. ohm min. 500 VDC
Primary to FG	: 50 meg. ohm min. 500 VDC

7.4 Dielectric withstanding voltage

Condition for approval :	
Primary to secondary	:3K VAC for 1min.
Primary to FG	:1800 VAC for 1 min.

For production purpose:100% test

Primary to FG	:1800 VAC for 2 sec OR 2650 VDC for 2 sec.
---------------	--

7.5 Leakage current

1.5 mA. max. at nominal voltage 250 VAC

8.0 Safety

8.1 Recognized to U.S. and Canadian requirements under the component recognition program of Underwriters Laboratories Inc.
The power supply shall be designed to meet UL60950.

8.2 TUV Standards

The power supply shall be designed to meet TUV EN-60950.

8.3 Power Line Transient

The power supply shall be designed to meet the following standards

- EN 61000-4-2(ESD) Criterion B, $\pm 4\text{KV}$ by contact, $\pm 8\text{KV}$ by air.
- EN 61000-4-4(EFT) Criterion B, $\pm 1\text{KV}$.
- EN 61000-4-5(SURGE) Criterion B, Line-Line $\pm 1\text{KV}$,
Line-Earth $\pm 2\text{KV}$.

8.4 RFI / EMI Standards

The power supply shall comply with the following radiated and conducted Emissions standards,

- FCC part 15. (CLASS A)
- CISPR 22. (EN 55022/CLASS A)

9.0 Reliability

9.1 Burn in

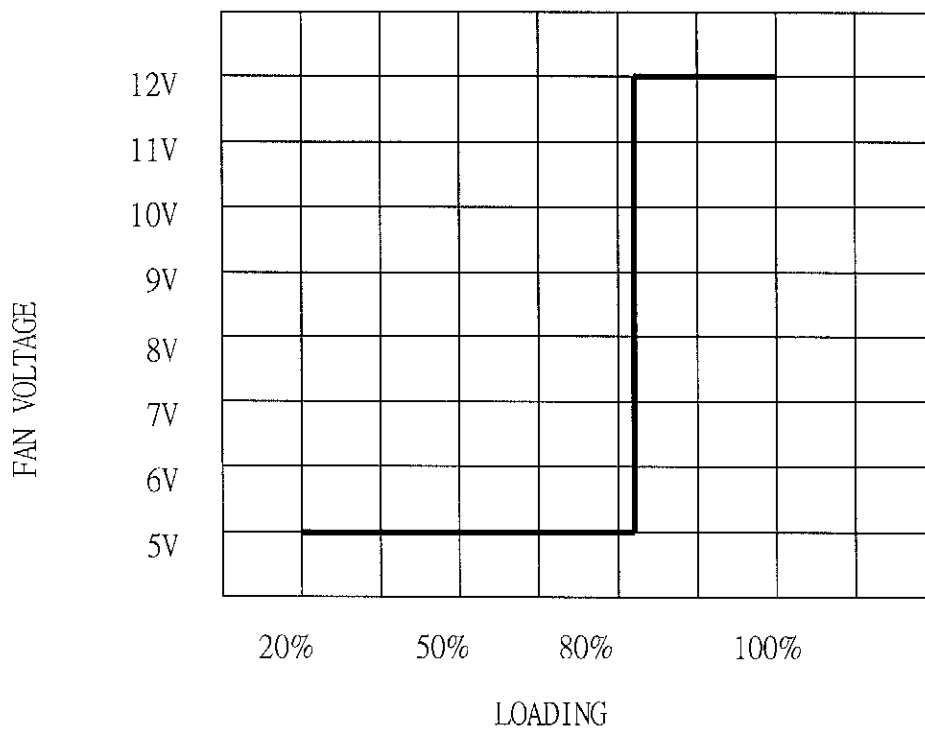
All products shipped to customer must be processed by burn-in. The burn- in shall be performed for 1 hour at full load.

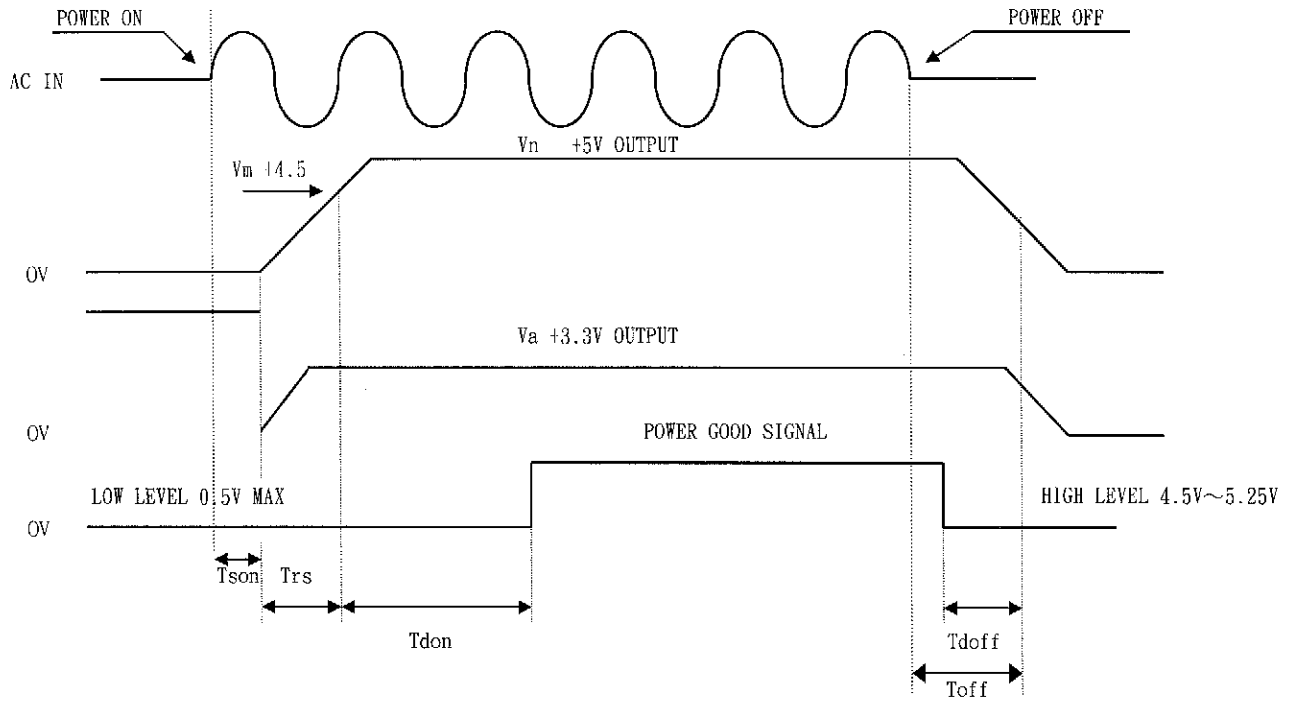
10.0 Mechanical requirements

10.1 Physical dimension : 40 mm * 100 mm * 155 mm (H*W*D)

11.0 Fan speed control voltage (TC=30°C)

Fan speed is in varying with different temperature of heatsinks.
The relationship between fan noise and changes in temperature per shown in the following diagram.





- V_n Nominal voltages +5V
- V_m Minimum voltages +4.5V
- V_a Nominal voltages +3.3V
- T_{son} Switch on time(500ms. Max)
- T_{rs} +5V rise time (100ms. max.)
- T_{don} Delay turn-on (100ms. < T_{don} < 500ms.)
- T_{doff} Delay turn-off (1 ms. min.)
- T_{off} Hold up time (16ms. min.)

《Figure 1》