

2200µF 400V 8.2A

SKC 2M2-40A-1-M

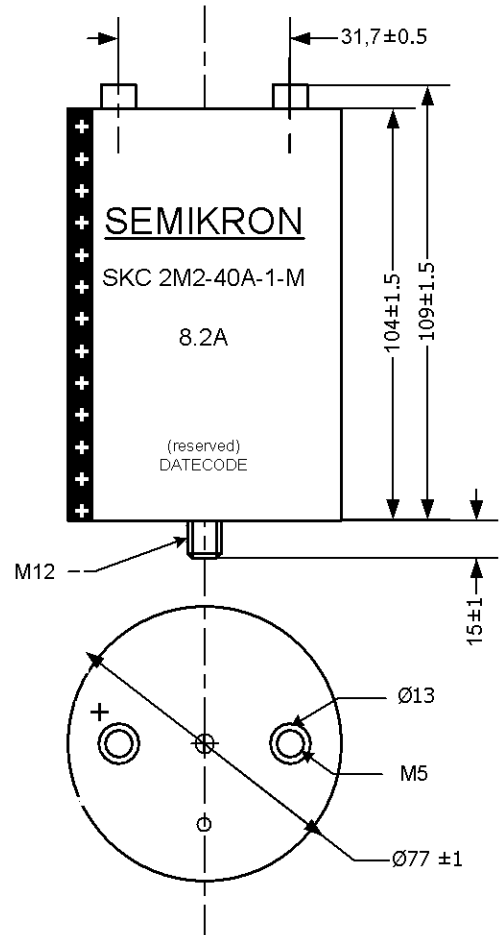
Standards and specifications

Generic specification, fixed capacitors
CECC 30 000 & IEC 384-1

Sectional specification, aluminium electrolytic capacitors
CECC 30-300 & IEC 384-4

Aluminium electrolytic capacitors with non-solid electrolyte
CECC 30-301 & IEC 384-4

Environmental (1*)



Electrical characteristics

Rated Capacitance	: 2200µF
Capacitance Tolerance	: -20 to +20% code: M
Rated voltage (UR)	: 400 V
Surge voltage (Up)	: 440 V (30 s)
Max series resistance (ESR)	: 60mΩ. (max, 100Hz)
Impedance (Z)	: 40mΩ. (max,10kHz,20°C)
Ripple current (I _{effr})	: 8,2A (max,100Hz,85°C)
Leakage current (I _{leak})	: 3600 µA (5min,UR,20°C)

Life expectancy specification

Life expectancy	: 15 000 h (8,2A I _{effr} , 85 °C) (2*)
	: 350 000 h (8,2A I _{effr} , 40°C) (2*)
Shelf storage time	: >1 year

Mechanical characteristics:

Mounting torque M5 screws	: 2 Nm (max)
Vibration resistance	: 0,75 mm,10..55Hz,10g,3 x 2h.
Climatic category	: 40/085/56

(1*) Environmental : *this component comply on the EU environmental directives*

(2*) End of life criteria :

non measurable defaults

- Short circuit or open circuit
- Operation of pressure relief device
- Severely damaged insulation
- Unusable terminations

measurable default

- Capacitance change > 3 times the limit for standard endurance testing or 50% (which ever is the smallest)
- Tg δ or ESR : 3 times standard max values
- Z : 3 times standard max values
- I_l : initial limit (under load conditions)