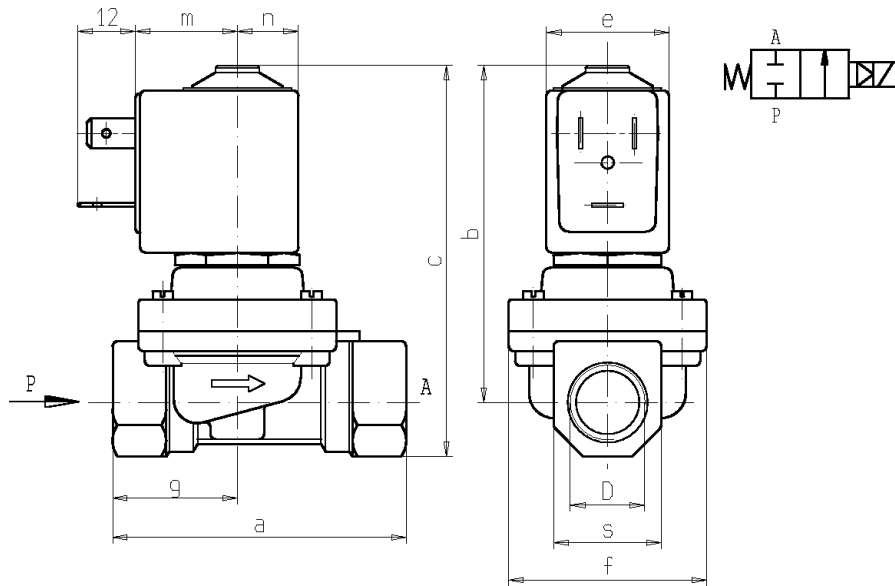




**SOLENOID VALVE**  
**2/2 - NC (Normally closed)**  
**Pilot operated**  
**G3/8 ÷ 1**

**L145**



D	a	b	c	e	f	m	n	s	g
G 3/8	60	69	80	25	40	21	12,5	22	25,5
G 1/2	66	72	85	25	40	21	12,5	27	33
G 3/4	79	78	94,5	32	50	27	16	33	39,5
G 1	105	102	123	32	71	27	16	42	46

► **GENERAL FEATURES**

Diaphragm valve, pilot operated, having full orifice.  
 Suitable to shut off liquid and gaseous fluids; particularly suitable to shut off overheated water and steam (verify the compatibility of fluid with materials in contact).

► **TECHNICAL FEATURES**

*Maximum allowable pressure (PS)* G3/8 and G1/2: 16 bar  
 G3/4 and G1: 9 bar

*Opening time* ~100ms  
*Closing time* from ~500ms to ~1500ms  
*Fluid temperature* +60°C +170°C  
*Max viscosity* 5°E (~37 cStokes or mm<sup>2</sup>/s)

► **MATERIALS IN CONTACT WITH FLUID**

*Body* Brass  
*Sealing* Reinforced PTFE (Polytetrafluorethylene)  
*Internal components* Brass and stainless steel  
*Seat* Stainless steel  
*Guide assembly* Stainless steel  
*Shading ring* Copper

► **COIL**

*Continuous duty* ED 100%  
*Encapsulation material* PET (polyethylene terephthalate) fiberglass reinforced  
*Insulation class* Z5: H(165°C) – UL - Z6: H(180°C) - UL  
*Ambient temperature* -10 C° +80 °C  
*Electric connenctions* Z5: DIN 46340 – 3 poles connector (DIN 43650)  
 Z6: DIN 46340 – 3 poles connector  
 IP 65 (EN 60529) with plug connector  
 24V/50Hz - 110V/50Hz (120V/60Hz)  
 230V/50Hz (+10% -15%)  
 (Other voltages and frequencies on request).

*Protection degree*  
*Voltages AC*

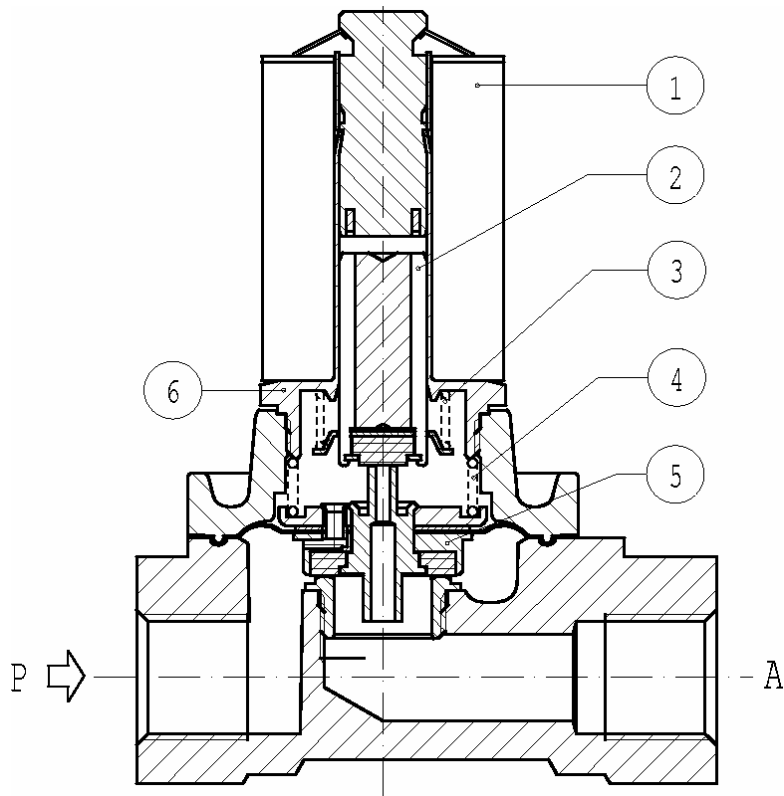
Port size ISO 228	Ø Int. (mm)	Differential pressure (bar)				Kv (m <sup>3</sup> /h)	Series and type		Power absorption			Sealings	Notes	Weight (kg)	
		Δp min	Δp max				Valve	Coil	AC (VA)		c.c. (W)				
			Gas		Liquids				Inrush	Holding					
			c.a.	c.c.	c.a.										c.c.
G 3/8	10	0,4	8	8	2	L145R2	Z614A	16	10	-	reinforced PTFE	1	0,360		
G 1/2					2,5								0,415		
G 3/4					4,5	0,760									
G1					8,5	1,365									

► **NOTES**

- Sealings : PTFE = Polytetrafluorethylene (reinforced)  
 1 - On request Z610A or Z530A coil, encapsulated in PET (Polyethylene terephthalate) class "F" (+155°C): maximum fluid temperature +100°C, maximum ambient temperature +60°C.

# L145

## ► SPARE PARTS



### Kit description

### Kit P.N.

### Consisting of:

Core kit	G3/8 – G1/2 G3/4 – G1	G2641702 G2665102	Core pos. 2 Core return spring pos. 3
Diaphragm assembly kit	G3/8 – G1/2 G3/4 G1	G2647501 G2653301 G2665201	Diaphragm assembly pos. 5 Spring on diaphragm pos. 4
Spring on diaphragm kit	G3/8 – G1/2 G3/4 G1	G2635301 G2641501 G2662201	N. 10 springs on diaphragm pos. 4
Core return spring kit	G3/8 – G1/2 G3/4 – G1	G2651301 G2555101	N.10 core return spring pos. 3
Guide pipe assembly	G3/8 – G1/2 G3/4 – G1	2817601R 2797701R	Guide pipe assembly pos. 6
Coil	G3/8 – G1/2    Z614A G3/4 – G1        Z534A		Coil pos. 1

## ► MOUNTING

Solenoid valve can be mounted in any position; vertical with coil upwards preferred.