



Self Priming Centrifugal Pump

Models 13A2-B and 13A20-B

Size 3" x 3"

PUMP SPECIFICATIONS

Size: 3" x 3" (76 mm x 76 mm) NPT - Female.

Casing: Gray Iron 30.

Maximum Operating Pressure 62 psi (427 kPa).*

Semi-Open, Two Vane Impeller: Ductile Iron 65-45-12.
Handles 1 1/2" (38,1 mm) Diameter Spherical Solids.

Impeller Shaft: Carbon Steel 1045/1046.

Replaceable Wear Plate: Carbon Steel A36.

Removable Cover Plate: Gray Iron 30. Weight 15 lbs. (7 kg).

Pedestal: Gray Iron 30.

Seal Plate: Gray Iron 30.

Flap Valve: Buna-N^W/Nylon Reinforcing; Gray Iron 30.

Seal Liner: (13A2-B) Copper Alloy C26000.

Shaft Sleeve: (13A20-B) Alloy Steel 4150.

Radial and Thrust Bearings: Open Single Row Ball.

Bearing Lubrication: SAE 30 Non-Detergent Oil.

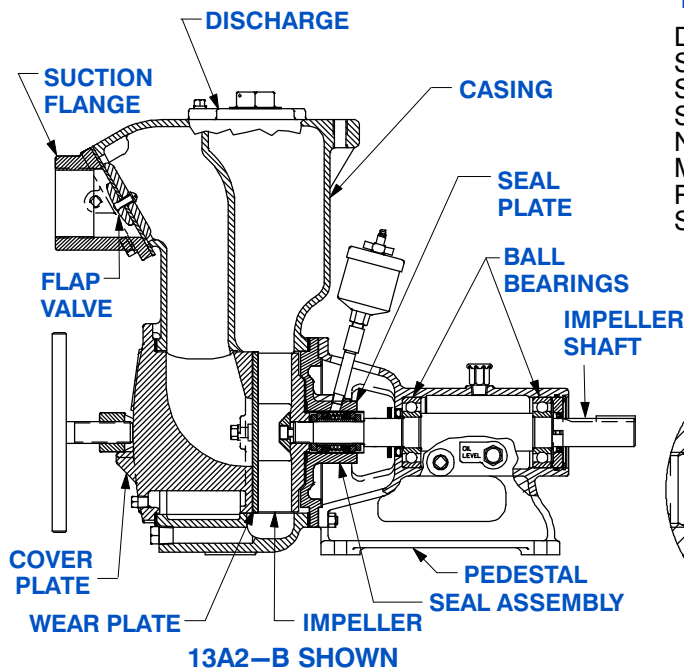
Flange: Gray Iron 30.

Gaskets: Vegetable Fiber and Rubber.

Hardware: Standard Plated Steel.

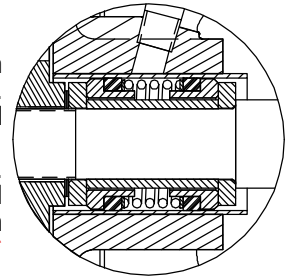
Optional Equipment: Strainer. Gray Iron 30, 3" ASA Suction and Discharge Flanges. Casing Heater 120 / 240 Volt. High Temp Shut Down Kit.

**Consult Factory for Applications Exceeding Maximum Pressure and/or Temperature Indicated.*



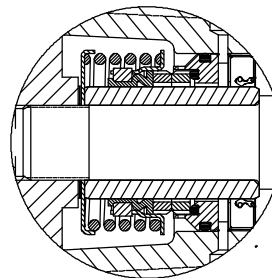
13A2-B SEAL DETAIL

Double, Grease-Lubricated with Spring-Loaded Grease Cup. Sintered Bronze Stationary Seal Seats. Steel Rotating Faces. Neoprene Packing Rings. Maximum Temperature of Liquid Pumped, 110°F (43°C). Maximum Suction Pressure 10 PSI (69 kPa).*



13A20-B SEAL DETAIL

Mechanical, Oil-Lubricated, Double Floating, Self-Aligning. Tungsten Titanium Carbide Rotating and Stationary Faces. Stainless Steel 316 Stationary Seat. Fluorocarbon Elastomers (DuPont Viton[®] or Equivalent). Stainless Steel 18-8 Cage and Spring. Maximum Temperature of Liquid Pumped, 160°F (71°C).*



GORMAN-RUPP PUMPS

www.grpumps.com

Specifications Subject to Change Without Notice

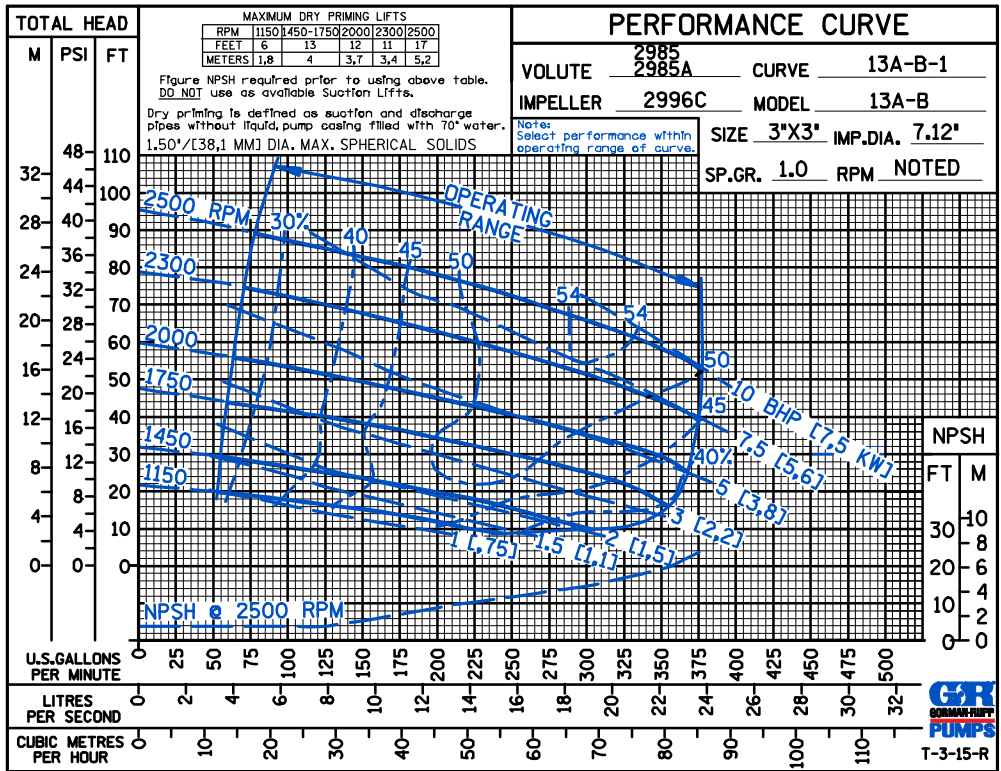
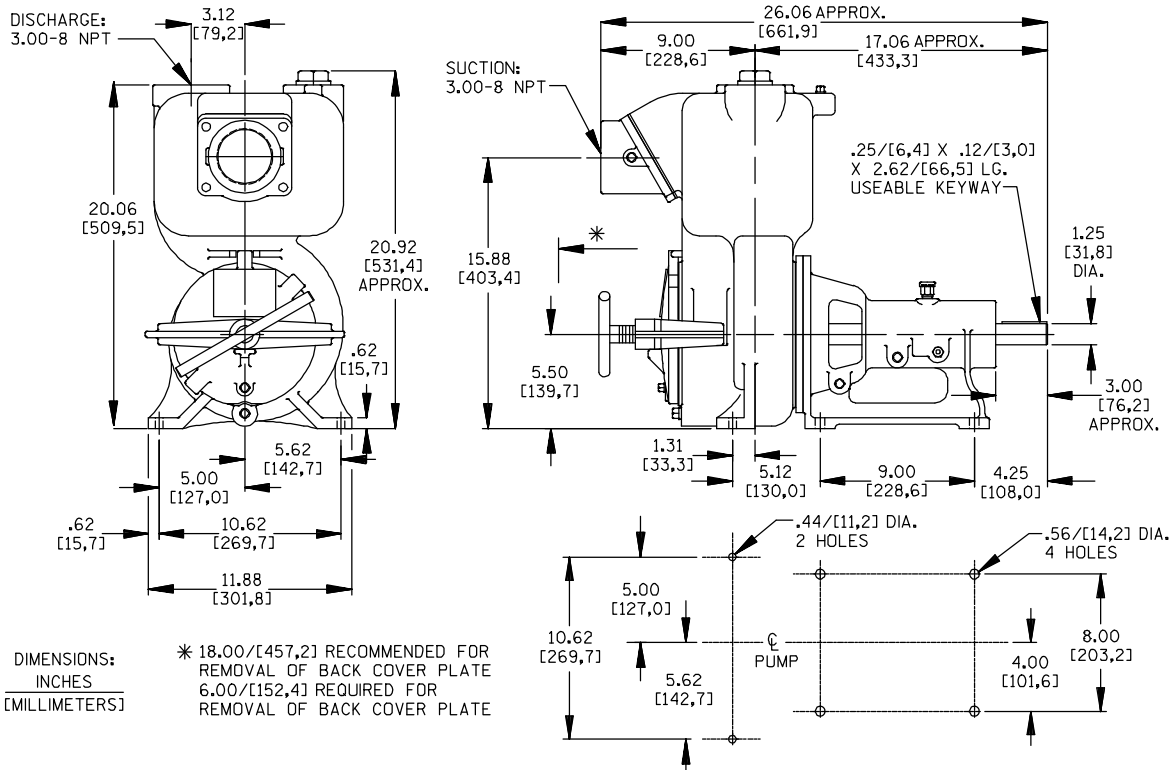
Printed in U.S.A.

Specification Data

SECTION 55, PAGE 400

APPROXIMATE
DIMENSIONS and WEIGHTS

NET WEIGHT: 180 LBS. (82 KG.)
SHIPPING WEIGHT: 190 LBS. (86 KG.)
EXPORT CRATE SIZE: 8.0 CU. FT. (0,23 CU. M.)



GORMAN-RUPP PUMPS

www.grpumps.com

Specifications Subject to Change Without Notice

Printed in U.S.A.