



Features

- ★ Standard DIN size.
- ★ Slim design (snap-in installation).
- ★ Short depth 34.5mm

Ordering code

AP - 501B -

Code	Input range
11	±199.9mV
12	±1.999V
13	±19.99V
14	±199.9V

Input Specifications

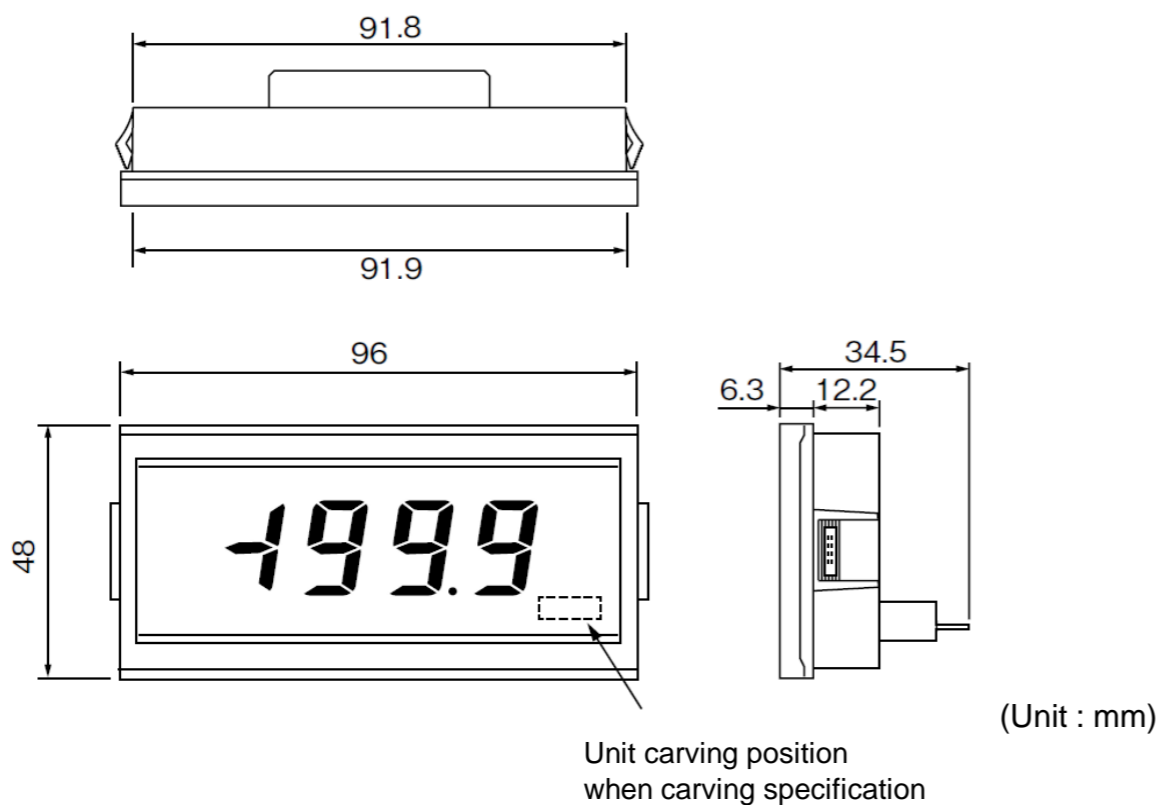
◆ DC voltage

Model	Measurement range	Resolution	Impedance	Max. allowable input	Accuracy
AP-502A-11	±199.9mV	100μV	100MΩ	±100V	±(0.1% reading + 1 digit)
AP-502A-12	±1.999V	1mV	10MΩ	±250V	
AP-502A-13	±19.99V	10mV			
AP-502A-14	±199.9V	100mV	±500V		

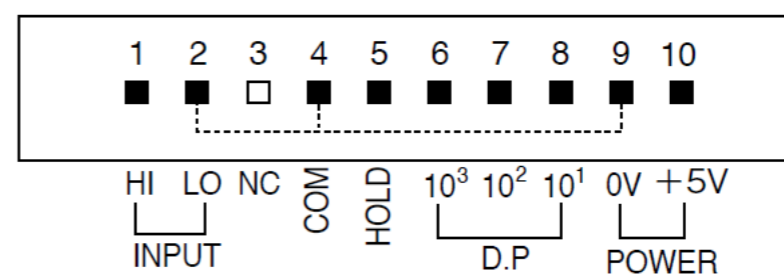
Specifications

Display	Red 7 segment LED (height 14.2mm)
Polarity	'-' is displayed at negative polarity
Display range	±1999 (3 1/2 digits)
Scaling function	None
Over range display	When input exceeds the max. display, 1999 or -1999 flashes
Decimal point	Able to set to any digit (Switches by key switch)
Zero display	Leading zero suppression
Operating temperature	0 to 50°C
Operating relative humidity	35 to 85% (non-condensing)
Power supply	5Vdc ±5% (non-isolation)
Power consumption	100mA max.
Dimensions	96mm(W) x 48mm(H) x 34.5mm(D)
Weight	Approx. 50g
Dielectric strength	1500Vac per 1 min. : Between input terminal (LO) and mounted plate
Insulation resistance	500Vdc, 100MΩ or more on the above terminals
Sampling rate	Approx. 400ms (2.5 times per second)
Built in excitation (Sensor power supply)	None
Standard accessory	Connecter

Dimensions



Terminal Connections



No.	Terminal name	Remarks
1	HI (+)	Input terminal (+)
2	HI (-)	Input terminal (-)
3	NC	No connection
4	COM	External control common terminal
5	HOLD	Hold
6	D.P 10 ³	Decimal point 10 ³
7	D.P 10 ²	Decimal point 10 ²
8	D.P 10 ¹	Decimal point 10 ¹
9	POWER (-)	Power supply terminal (-)
10	POWER (+)	Power supply terminal (+)

* Specification is subject to change without notice