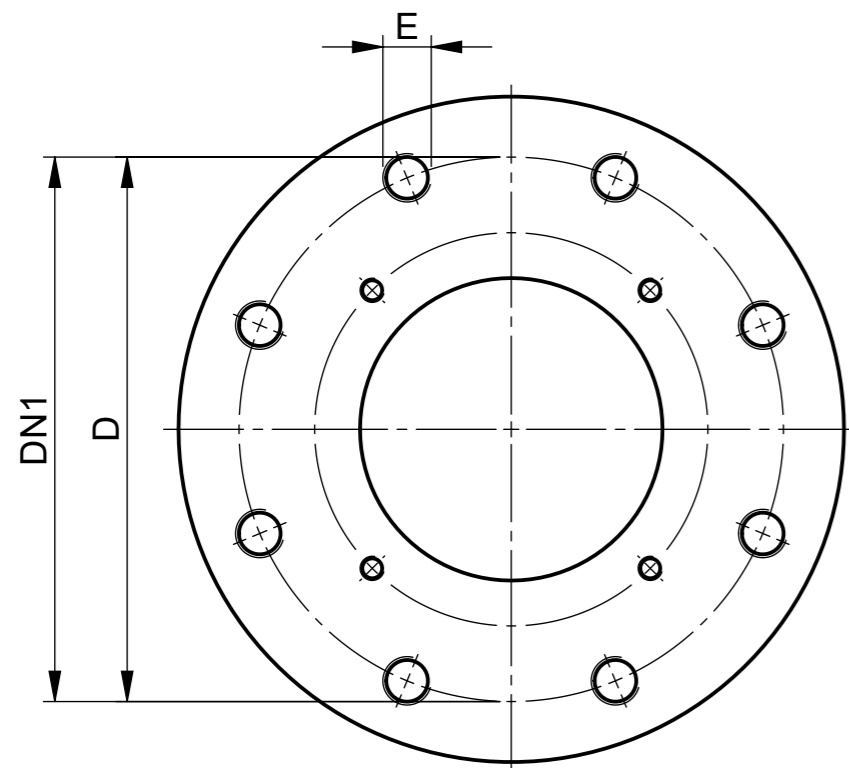
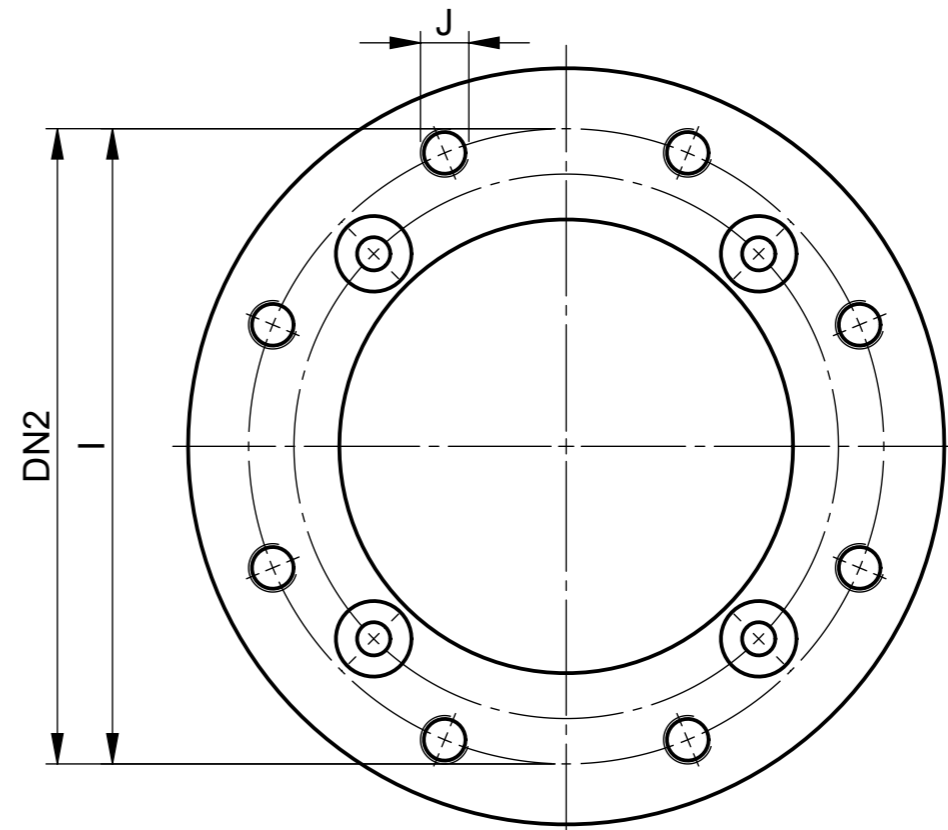
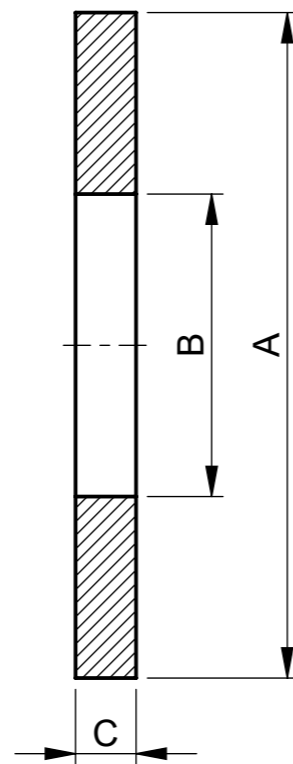


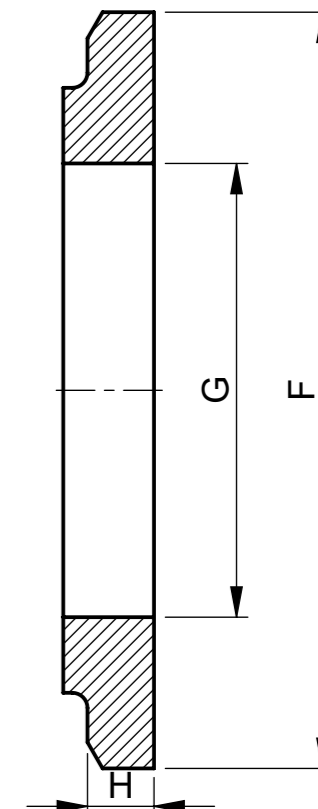
Vent.type	Art.nr.	A	B	C	D	E	DN1	F	G	H	I	J	DN2	Flens PZ	Flens ZZ	Pakking PZ	Pakking ZZ	Bout	Veerr.	Moer
30.191/195	657.950	200	78	20	160	8xM16	80	250	140	22	210	8xM16	125			374.360	374.351			
30.211/215	657.951	220	100	20	180	8xM16	100	285	160	22	240	8xM20	150			374.361	374.352			
30.291/295	657.952	315	170	25	270	8xM20	175	340	230	24	295	12xM20	200			374.362	374.253			
31.261/265	657.953	285	138	20	240	8xM20	150	315	200	24	270	8xM20	175			374.363	374.354			
31.311/315	657.954	340	200	25	295	12xM20	200	405	260	26	355	12xM24	250			374.364	374.355			
41.261/265	657.955	185	60	20	145	4xM16	65	200	100	20	160	8xM16	80	456.402	456.403	374.365	374.356	314.687(4x)	317.143(8x)	314.912(4x)
41.341/345	657.956	200	80	20	160	8xM16	80	220	130	20	180	8xM16	100	456.404	456.405	374.344	374.357	314.687(4x)	317.143(8x)	314.912(4x)
44.391/395	657.957	250	120	22	210	8xM16	125	250	126	22	210	8xM16	125	456.407	456.408	374.366	374.358	319.625(4x)	317.157(4x) 317.158(4x)	314.914(4x)
44.393/398	657.958	250	120	22	210	8xM16	125	285	150	22	240	8xM20	150	456.407	456.409	374.366	374.358	319.625(4x)	317.157(4x) 317.158(4x)	314.914(4x)
47.511/515	657.959	250	130	22	210	8xM16	125	285	150	22	240	8xM20	150	456.410	456.411	374.367	374.358	319.625(4x)	317.157(4x) 317.158(4x)	314.914(4x)
51.411/415	657.960	185	65	20	145	4xM16	65	200	100	20	160	8xM16	80	456.412	456.403	374.368	374.356	314.687(4x)	317.143(8x)	314.912(4x)
51.471/475	657.961	200	80	20	160	8xM16	80	220	110	20	180	8xM16	100	456.404	456.406	374.344	374.345	314.687(4x)	317.143(8x)	314.912(4x)
54.550/645	657.962	220	100	20	180	8xM16	100	250	150	22	210	8xM16	125	456.400	456.401	374.361	374.358	314.670(4x)	317.143(4x) 317.157(4x)	314.914(4x)



PERSZIJDE (PZ)



ZUIGZIJDE (ZZ)



This document is confidential. The copyright is vested in Combimac B.V. Emmen, The Netherlands. All rights reserved. Neither the whole nor any part of this document may be disclosed to any third party or reproduced, stored in any retrieval system or transmitted in any form or by any means (electronic, mechanical, reprographic, recording or otherwise) without the prior written consent of the copyright owner.

01	-	03-01-2017	657.962 en 657.955 waren 657.937 en 657.938	AB
00				
ISSUE	QTY	DATE	DESCRIPTION	NAME
	PROJECTION	ROUGHNESS SYMBOLS ACC. ISO 1302	GENERAL TOLERANCES ACC. ISO 2768-M	GEOMETRIC TOLERANCE SYMBOLS ACC. ISO 1101
	Special electric motors and fans	DN flens voor ventilatoren (GG) - PZ/ZZ - AISI316L Passend volgens DIN2501/PN16		005.173 005.174
SCALE -----		DIMS IN mm		C.005.175
DRAWN 04-11-2016 AB		CHECKED		