

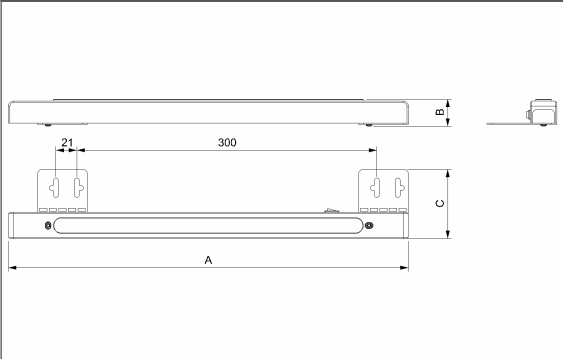
"CLG-L" LED LAMP

Description: **Led Lamp for inside enclosures**



Type of material:	casing in PC/ABS and diffuser in transparent polycarbonate
Appliance class:	class II
Electrical connection:	bipolar cable L= 1800mm with terminal bushing
Protection degree:	IP20
Storage temperature:	from -10°C to +70°C
Operating temperature:	from -0°C to +50°C
Lifetime L10 at 40°C:	20,000h
Lum. Flux	416 lm
Led:	0.5 W/led; 35 lm/led
Ballast:	electronic incorporated
Switch:	ON/OFF
Approvals:	CE

technical drawing



Model	Rated Voltage	Frequency	Watt	Dimensions (mm)			Weight	Led	
	(V)			A	B	C		(Kg)	N.
CLG-L307	115-240 V a.c.	50/60	7	400	28	70	0.200	12	White