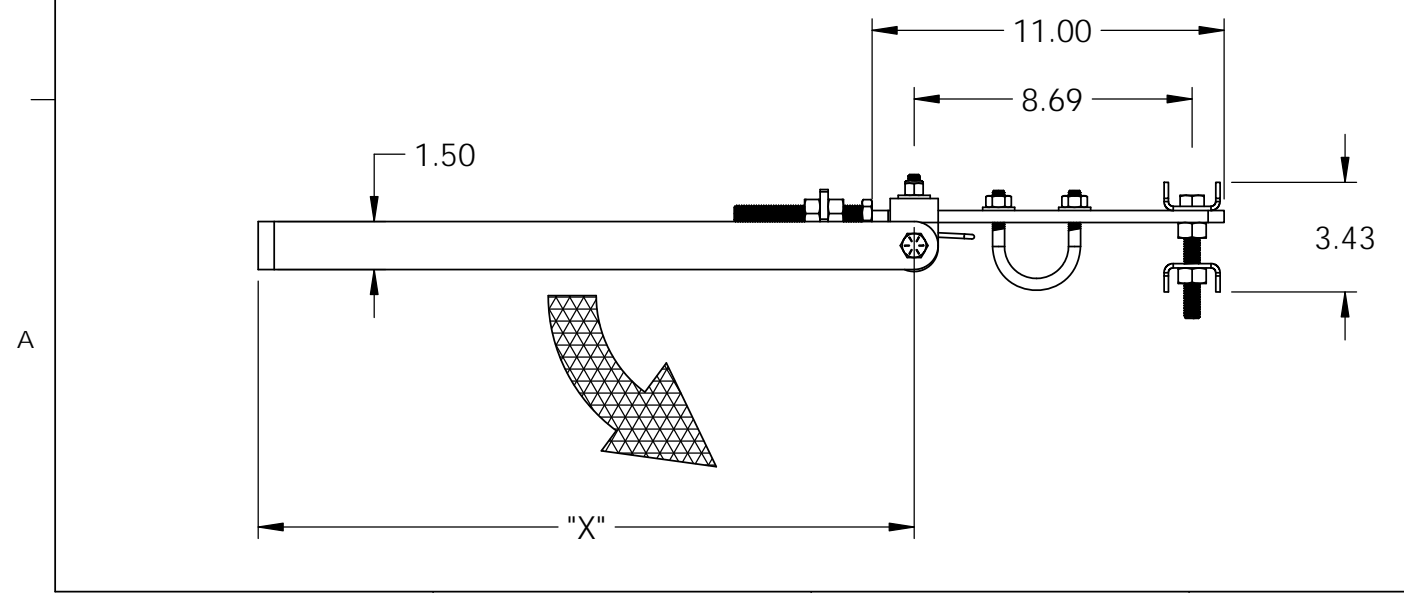
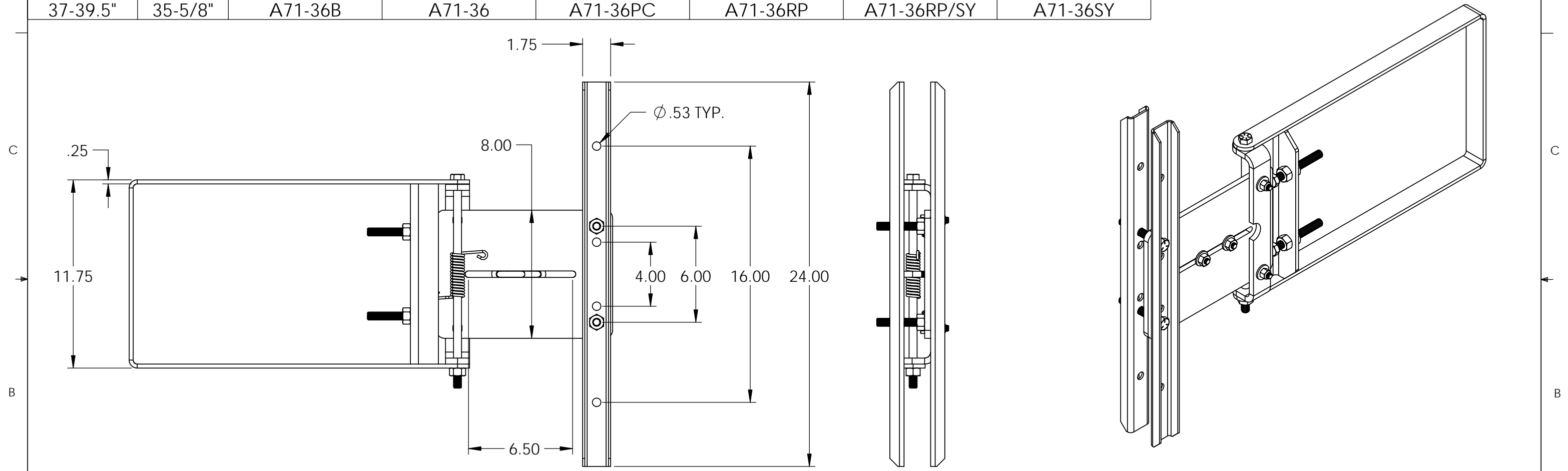


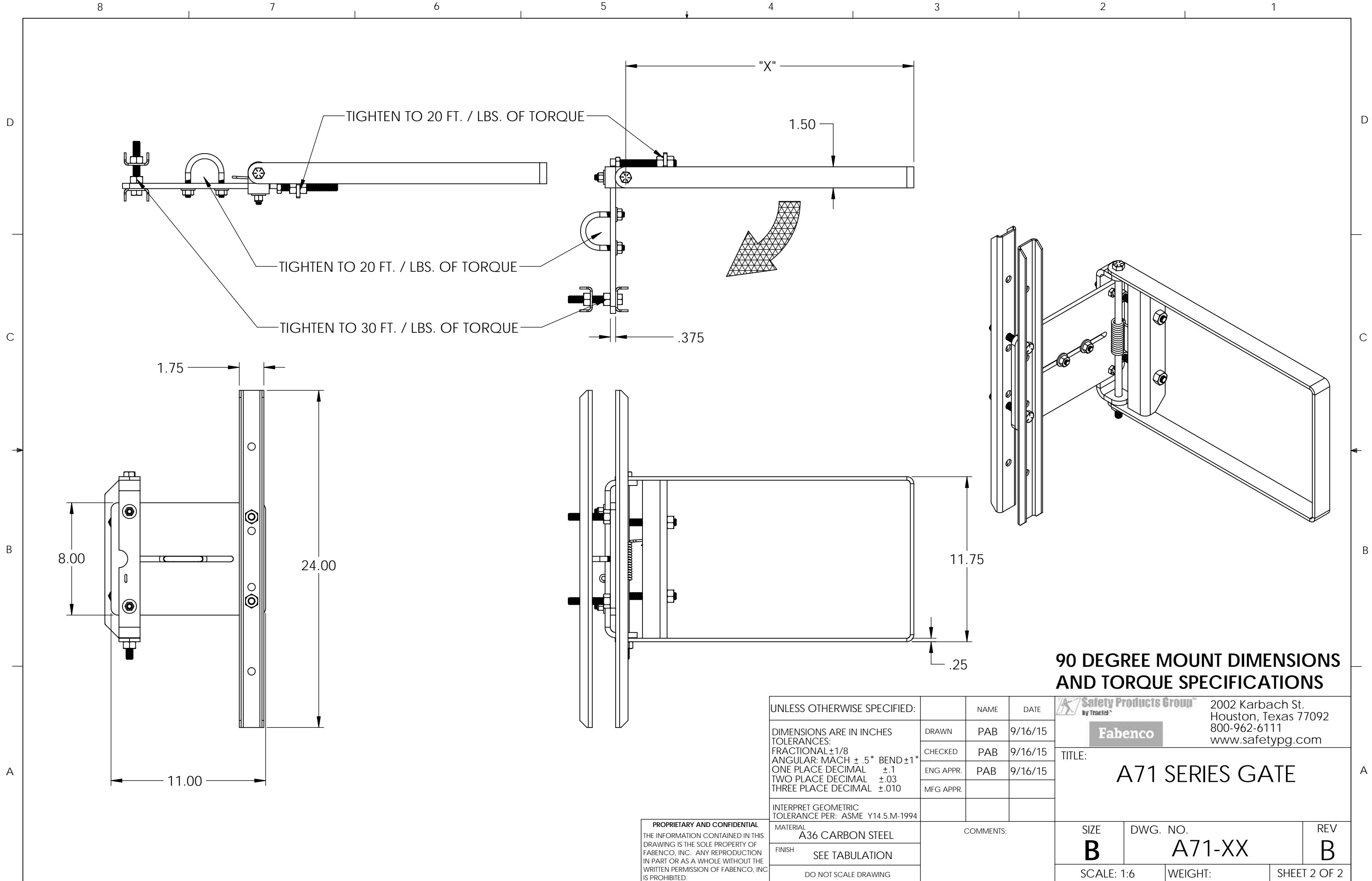
FITS CLEAR OPENING	"X"	NO FINISH MODEL NUMBER	GALVANIZED MODEL NUMBER	POWDER COAT MODEL NUMBER	RED PRIME MODEL NUMBER	RED PRIME / SAFETY YELLOW MODEL NUMBER	GALVANIZED / SAFETY YELLOW MODEL NUMBER	REVISIONS					
								ZONE	REV.	DESCRIPTION	DATE	APPROVED	ECO#
17-18.5"	15-5/8"	A71-16B	A71-16	A71-16PC	A71-16RP	A71-16RP/SY	A71-16SY	ALL	B	DOCUMENT CHANGES: REVISED TITLE BLOCK INFORMATION, ADDED FINISHES WITH MODEL NUMBERS	3/15/16	PAB	TX-00005
19-21.5"	17-5/8"	A71-18B	A71-18	A71-18PC	A71-18RP	A71-18RP/SY	A71-18SY						
22-24.5"	20-5/8"	A71-21B	A71-21	A71-21PC	A71-21RP	A71-21RP/SY	A71-21SY						
25-27.5"	23-5/8"	A71-24B	A71-24	A71-24PC	A71-24RP	A71-24RP/SY	A71-24SY						
28-30.5"	26-5/8"	A71-27B	A71-27	A71-27PC	A71-27RP	A71-27RP/SY	A71-27SY						
31-33.5"	29-5/8"	A71-30B	A71-30	A71-30PC	A71-30RP	A71-30RP/SY	A71-30SY						
34-36.5"	32-5/8"	A71-33B	A71-33	A71-33PC	A71-33RP	A71-33RP/SY	A71-33SY						
37-39.5"	35-5/8"	A71-36B	A71-36	A71-36PC	A71-36RP	A71-36RP/SY	A71-36SY						



REFER TO SHEET 2 OF 2 FOR 90 DEGREE MOUNT DIMENSIONS AND MOUNTING TORQUE SPECIFICATIONS

UNLESS OTHERWISE SPECIFIED: DIMENSIONS ARE IN INCHES TOLERANCES: FRACTIONAL ±1/8 ANGULAR: MACH ±.5° BEND ±1° ONE PLACE DECIMAL ±.1 TWO PLACE DECIMAL ±.03 THREE PLACE DECIMAL ±.010 INTERPRET GEOMETRIC TOLERANCE PER: ASME Y14.5.M-1994	NAME	DATE	 2002 Karbach St. Houston, Texas 77092 800-962-6111 www.safetypg.com
	DRAWN	PAB 9/16/15	
	CHECKED	PAB 9/16/15	
	ENG APPR.	PAB 9/16/15	
MFG APPR.			
MATERIAL	A36 CARBON STEEL		Fabenco TITLE: A71 SERIES GATE
FINISH	SEE TABULATION		
DO NOT SCALE DRAWING			
SIZE	DWG. NO.	REV	
B	A71-XX	B	
SCALE: 1:6	WEIGHT:	SHEET 1 OF 2	

PROPRIETARY AND CONFIDENTIAL
THE INFORMATION CONTAINED IN THIS DRAWING IS THE SOLE PROPERTY OF FABENCO, INC. ANY REPRODUCTION IN PART OR AS A WHOLE WITHOUT THE WRITTEN PERMISSION OF FABENCO, INC IS PROHIBITED.



90 DEGREE MOUNT DIMENSIONS AND TORQUE SPECIFICATIONS

UNLESS OTHERWISE SPECIFIED:		NAME	DATE
DIMENSIONS ARE IN INCHES		DRAWN	PAB 9/16/15
TOLERANCES:		CHECKED	PAB 9/16/15
FRACTIONAL ±1/8		ENG APPR.	PAB 9/16/15
ANGULAR: MACH ± .5° BEND ±1°		MFG APPR.	
ONE PLACE DECIMAL ±.1			
TWO PLACE DECIMAL ±.03			
THREE PLACE DECIMAL ±.010			
INTERPRET GEOMETRIC TOLERANCE PER: ASME Y14.5.M-1994			
MATERIAL	A36 CARBON STEEL		
FINISH	SEE TABULATION		
	DO NOT SCALE DRAWING		

Safety Products Group
 by Tractel™
Fabenco
 2002 Karbach St.
 Houston, Texas 77092
 800-962-6111
 www.safetypg.com

TITLE: A71 SERIES GATE		
SIZE B	DWG. NO. A71-XX	REV B
SCALE: 1:6	WEIGHT:	SHEET 2 OF 2

PROPRIETARY AND CONFIDENTIAL
 THE INFORMATION CONTAINED IN THIS DRAWING IS THE SOLE PROPERTY OF FABENCO, INC. ANY REPRODUCTION IN PART OR AS A WHOLE WITHOUT THE WRITTEN PERMISSION OF FABENCO, INC IS PROHIBITED.