

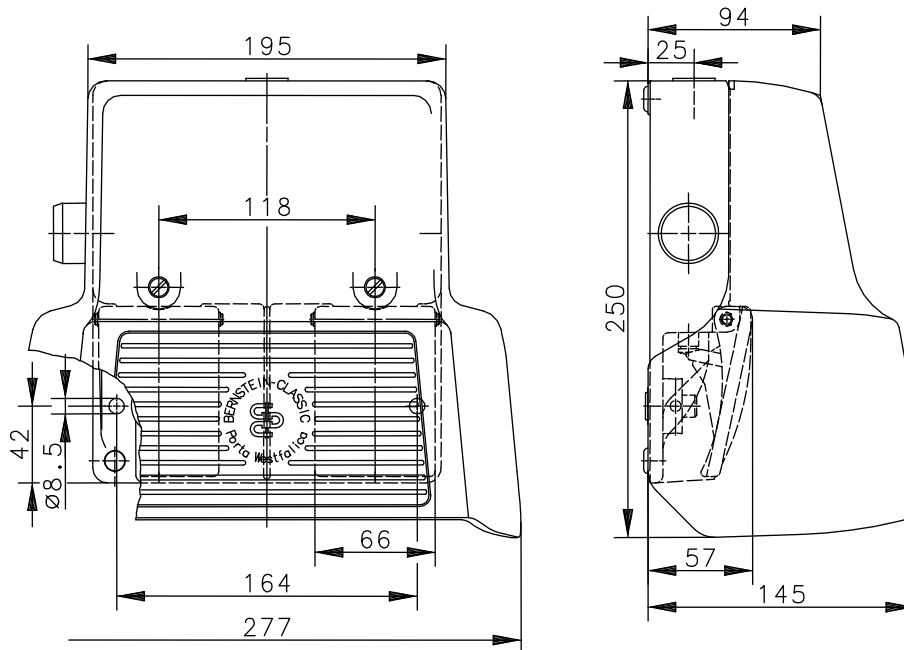
Technical Data

Foot-switch

Series F2 UN

Description **F2-SU1ZUV1D/SU1ZUV1D UN**

Article number **6162000364**

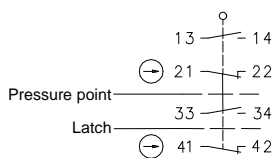


Switching symbols

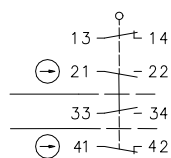
Pedal left

(Three-Step-Safety Switch with latching function „Off – On – Off“)

Pedal right

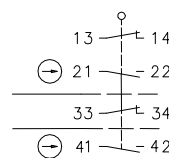


„Off“ position

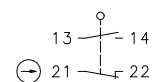


„On“ position

Before the switch latches,
the tactile touch has to be
surmounted.



„Off“ position



Electrical data

Rated insulation voltage	U_i	400 V AC
Conventional thermal current	I_{the}	10 A
Rated operational voltage	U_e	240 V
Utilization category		AC-15, U_e/I_e 240 V / 3 A
Direct opening action	\ominus	IEC/EN 60947-5-1
Short-circuit protective device		Fuse 2 A gG IEC/EN 60947-5-1
Protection class		I

This document will not become the contractual basis; the details included herein do not constitute any descriptions of expected conditions, so that warranties/claims for defects on account of possible variations of the actual qualities from the qualities described herein are explicitly excluded. All rights reserved. Specifications subject to change without notice!

Technical Data

Foot-switch



Mechanical data		
Enclosure		AL, die-cast
Protective guard (Accident protection cover UN)		AL, die-cast
Actuator		Foot lever (PA)
Pressure point		200 N
Ambient air temperature		-30 °C ... +80 °C
Contact type		3 NC, 3 NO (Zb)
Mechanical life		
Sequence of the switching position:	Off, On, Off	10 x 10 ⁶ operating cycles
or:	Off, On, Latch, Off	1 x 10 ⁶ operating cycles
Switching frequency		max. 50/min
Assembly		2 x M8
Connection		Screw terminals (M3,5)
Number of connections		12 (see switching symbols)
Protection ground		2 x M4
Conductor cross-sections		Solid: 0,5 – 1,5 mm ²
		Wire with ferrules: 0,5 – 1,5 mm ²
Kabeleinführung		1 x M20 x 1,5
Weight		approx. 3,0 kg
Protection type		IP65 in accordance with IEC/EN 60529

ID for safety engineering		
B10d		20 x 10 ⁶ switching cycles

Regulations		
		VDE 0660 T100, DIN EN 60947-1, IEC 60947-1
		VDE 0660 T200, DIN EN 60947-5-1, IEC 60947-5-1
		DIN EN 13849-1

EC Conformity		
		acc. to directive 2006/95/EC

Approvals		
	CSA	A300 (same polarity)
	UL	A300

Notes

The specified protection classification (IP code) applies only when the cover is closed and the appropriate cable is used, in accordance with the clamping range of the above mentioned cable gland.

This document will not become the contractual basis; the details included herein do not constitute any descriptions of expected conditions, so that warranties/claims for defects on account of possible variations of the actual qualities from the qualities described herein are explicitly excluded. All rights reserved. Specifications subject to change without notice!

Date of issue 04.04.2013 / Page 2 of 2
Document: 6162000364_en.doc.doc / Status : 2 / 2264-13