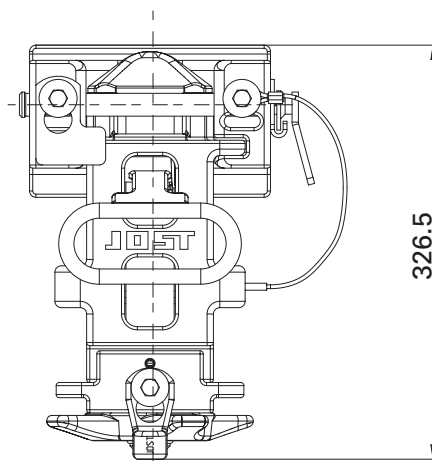
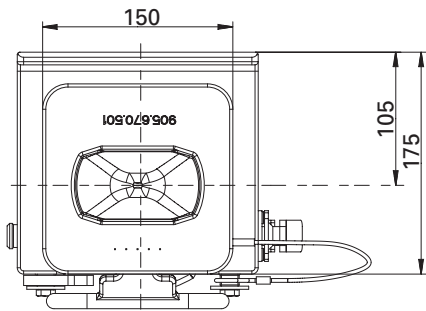
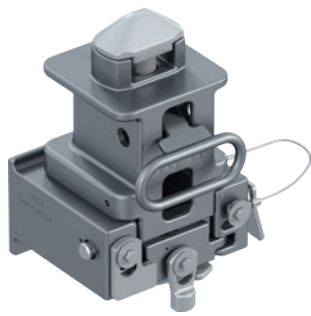
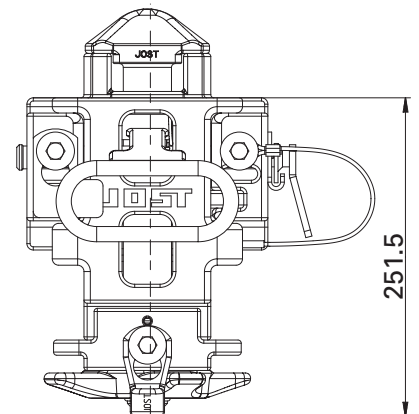


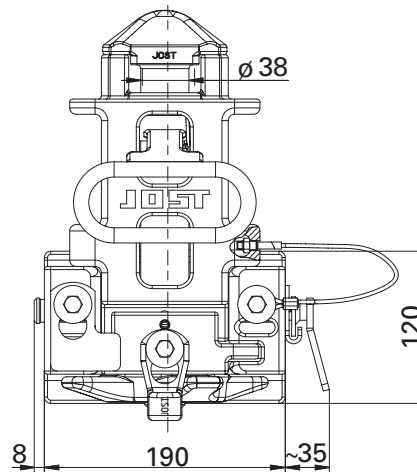
HV 120V



Lowered position



Position 0mm



Position 120mm

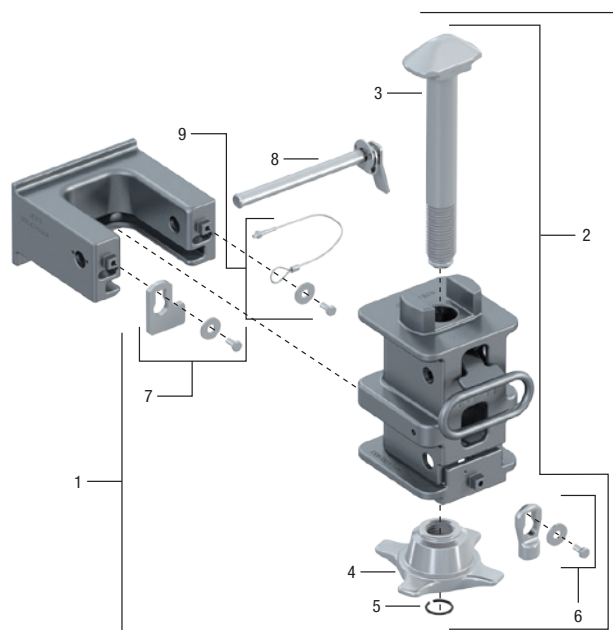
Application: Gooseneck chassis
 rec. gross container weight: max. 34.000 kg
 Locking pin: \varnothing 38 mm (ISO)

Appropriate central support for vertical load transmission of the gross container weight has to be assembled on the vehicle side.

Selection table / available versions

Weight (kg)	Order No.	Drawing No.
24.2	HV 120V	905.670.000

Spare parts



Item	Description	Order No.
1	Kit mounting parts complete incl. 2-9	917.670.900
2	Adapter complete incl. 3-6	917.670.500
3	Locking pin	915.000.353
4	Locking nut	915.000.303
5	Locking ring	915.000.190
6	Latch kit	905.159.500
7	Safety system kit	905.670.950
8	Pin kit	905.670.960
9	Steel cable kit	905.670.970