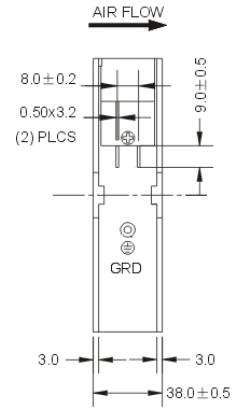
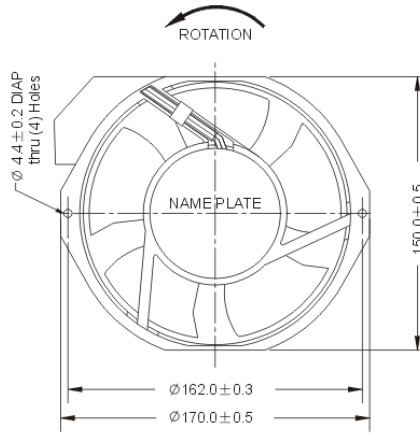


AC Fan

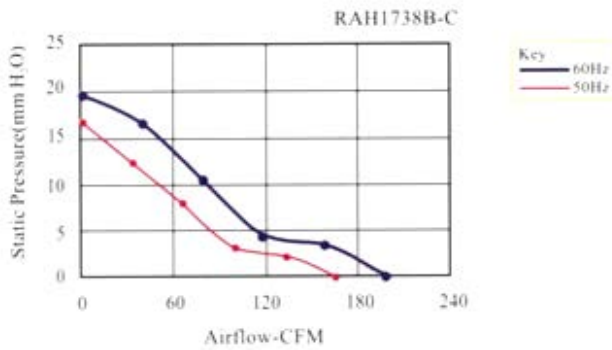
1738 Series

172x150x38mm (6.77x5.91x1.50)



PART NO.	BEARINGS	VOLTAGE	FREQ (Hz)	POWER (W)	CURRENT (A)	SPEED (RPM)	AIR FLOW (Q)		PRESSURE (P)	PRESSURE (P)	NOISE (dBA)
							(CFM)	(m ³ /min)	(mmAq)	(inH ₂ O)	
RAH1738B2-C	Ball	100~125	50/60	30/31	0.25/0.26	2850/3400	166/198	4.7/5.6	16.7/19.5	0.66/0.77	57/61
RAH1738B1-C	Ball	220~240	50/60	36/35	0.16/0.17	2850/3400	166/198	4.7/5.6	16.7/19.5	0.66/0.77	57/61

Performance Curves



Electrical Specifications

Dielectric Strength:	1500VAC for 1 second/0.5mA between terminal (wire) and frame.
Insulation Resistance:	≥100MΩ (COLD) between terminal (wire) and frame. ≥20MΩ (HOT) between terminal (wire) and frame.
Motor:	Capacitor-Run Induction Motor
Protection:	Thermal Protection

Mechanical Specifications

Airflow Direction:	Air Over Struts
Frame:	Aluminum Alloy
Impeller:	UL94V-0 Reinforced Plastic
Lead Wires (L):	22AWG, Black
Weight:	760g (26.8oz)
Terminals:	3mm (0.12in)
Life Expectancy:	Ball: 50,000 hrs. @20°C

Environmental Specifications

Operating Temperature:	-10 to +70°C	Ordinary humidity
Storage Temperature:	-30 to +120°C	Ordinary humidity
Acoustical:	Anechoic chamber at free air.	Measured at 1 meter from the fan and perpendicular to the direction of the airflow.

444 Creamery Way #500, Exton, PA 19341 USA
 Tel: 888-546-0524 • Fax: 610-594-5005
 email: sales@pelonistech.com • www.pelonistech.com

