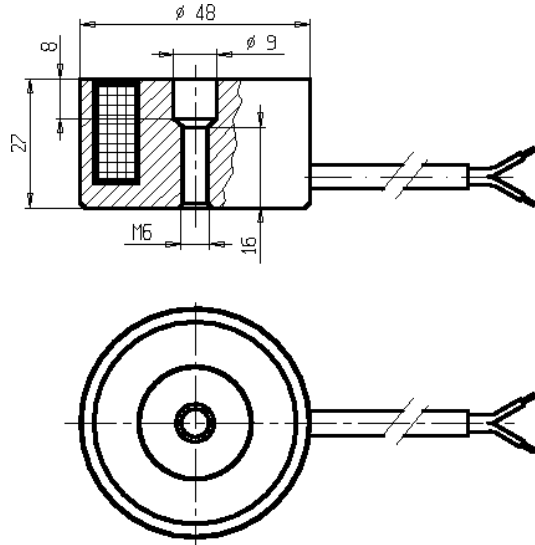




**HOLDING SOLENOID**  
PROTECTION DEGREE IP40

**C348FY01**



**FEATURES** – Series of solenoids with zinc plated steel body. Class F insulation (155°C) with class H wire (180°C). Solenoid complying with VDE 0580 directive and 100% inspected.

**PROTECTION DEGREE** - IP 40 (EN 60529)

**ELECTRICAL CONNECTIONS** – 2 monopolar cables in tin-plated copper with PTFE coating + sheet (free length 200 mm).

**STANDARD VOLTAGES** – Direct current 12-24 V.

**VOLTAGE TOLERANCE** +10% -10%.

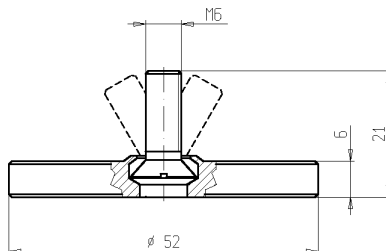
Series and type	Power absorption (W)	Holding force (N)	ED %	Weight (Kg)
C348FY01	1,5	600	100	0,28
	8,5	730		

**TEST CONDITIONS** – Operating ambient temperature 20°C. Tolerance on the rated voltage –10% with hot solenoid. Holding force measured with standard articulated anchorage plate: air gap at zero value.

**NOTE** – Other voltages and powers on request.

**ACCESSORIES**

**ARTICULATED ANCHORAGE PLATE**  
**(Weight 0,095 kg)**  
C93485809001



THE VALIDITY OF REPORTED DATA IS REFERRED TO THE DATE OF ISSUE. POSSIBLE UPDATES ARE AVAILABLE ON REQUEST

0609/1703