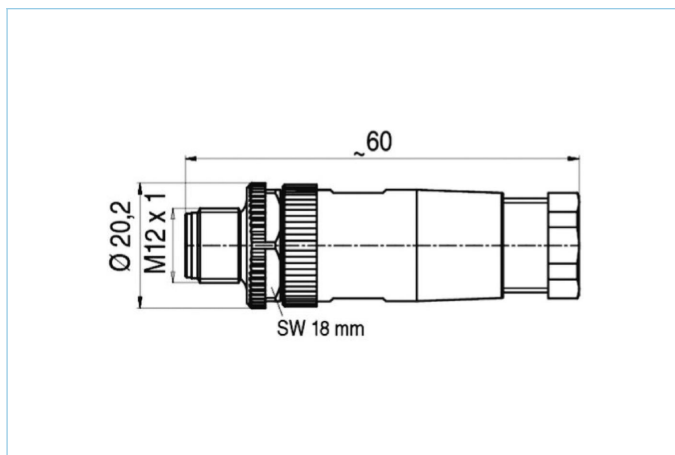


Field-wireable connector , M12x1, Screw-/clamp contact



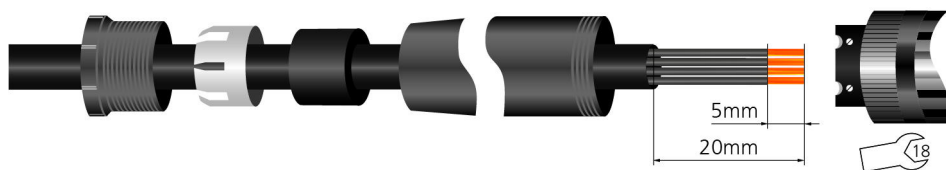
Product data

| | |
|--------------------|---------------|
| Item description | WASC5K |
| Item-No. | 8004805 |
| Customs tariff-No. | 85366990 |
| Step-File | WASC5K.stp |
| EAN | 4047106108236 |

Technical data

| | |
|--------------------------------|---------------------------|
| Connector | male, M12x1, straight |
| Number of pins | 5 |
| Coding | A |
| Rated voltage | 125V |
| Current load (at 40°C) | 4A |
| Insulation resistance | ≥10 ⁸ Ω |
| Resistance | ≤ 3mΩ |
| Ambient temperature product | -40°C...+85°C |
| Contact material | Metal, CuZn, gold-plated |
| Contact-carrier material | Plastic, PA, BK |
| Grip body material | Plastic, PA, BK |
| Connecting cross-section | max. 0.75 mm ² |
| Cable outlet | 4...6 mm |
| Connecting type | Screw-/clamp contact |
| Standards | IEC 61076-2-101 |
| Degree of protection (mounted) | IP67 |
| Mechanical life-cycle | >100 mating cycles |
| Degree of pollution | 3 |

Manual



Classification

| | |
|------------|----------|
| eCl@ss 6.0 | 27260702 |
| eCl@ss 7.0 | 27440102 |
| eCl@ss 8.0 | 27440102 |
| eCl@ss 9.0 | 27440102 |
| ETIM 5.0 | EC002635 |
| ETIM 6.0 | EC002635 |