

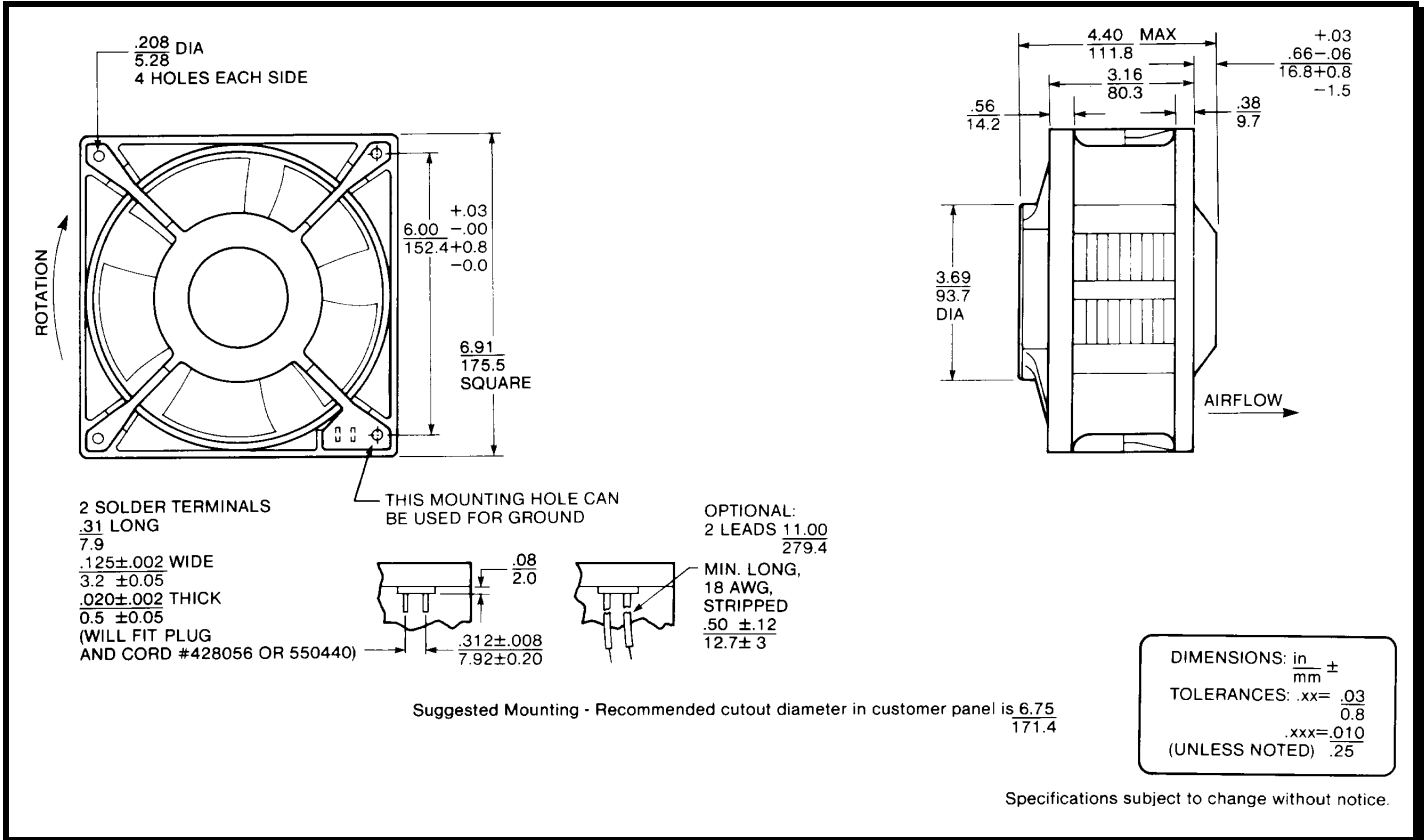
# SPECIFICATIONS



**Model Number:** TNE3C  
**Part Number:** 19020177A

Apr. 01, 2016

## Mechanical Drawing:



### Motor:

Frequency	= 50 / 60 Hz
Nominal Voltage	= 220 / 230 VAC
Nominal Running Current	= 0.260 amps
Max. Locked Rotor Current	= 0.650 amps
Running Power	= 59 watts
Average Speed	= 3470 RPM
Bearings	= Ball
Air Flow	= 280 / 340 CFM
Acoustic	= 61.6 / 65 dBA

### Construction:

Venturi: Plastic, Black, UL 94V-0  
 Propeller & Cover: Plastic, Black, UL 94V-0

### Life Expectancy:

This fan is designed for continuous duty life of 25,000 hours at 40°C.

### Additional Features:

Permanent Split Capacitor Motor  
 Automatic Reset Thermal Protector  
 Locked Rotor Protection  
 Operating Temperature: -10 °C to 70 °C  
 Storage Temperature: -40 °C to 85 °C

### Termination:

12" Lead wires, AWG 18, UL 1015

### Agency Approvals:

UL, CE