

Datasheet - AZ/AZM 415-B2

Solenoid interlock / AZM 415 / Actuator



Preferred typ

- Particularly suitable for hinged guards
- For very small actuating radii in line with the plane of the actuator



(Minor differences between the printed image and the original product may exist!)

Ordering details

Product type description	AZ/AZM 415-B2
Article number	101144796
EAN code	4030661134307
eCl@ss	27-27-92-16

Global Properties

Product name	Beweglicher Betätiger AZ/AZM 415-B2
Weight	160 g

Mechanical data

Design of actuators	flexible, straight
Minimum actuating radius	250 mm

notice

The axis of the hinge should be 36 mm above the top edge of the safety switch and in the same plane

Removal of the actuator can be prevented by fitting dowel pins in the holes provided.

The actuator can be brought into any desired position by adjustment of the hexagonal key wrench (a).

This actuator can also be used for sliding doors.

Actuating radius adjustable, minimum 250, using an hexagonal key wrench 4 A/F

Documents

Operating instructions and Declaration of conformity (nl) 329 kB, 20.09.2012

Code: mrl_az-azm415-b_nl

Operating instructions and Declaration of conformity (ro) 315 kB, 25.01.2012

Code: mrl_az-azm415-b_ro

Operating instructions and Declaration of conformity (fr) 313 kB, 04.04.2012

Code: mrl_az-azm415-b_fr

Operating instructions and Declaration of conformity (es) 549 kB, 09.11.2011

Code: mrl_az-azm415-b_es

Operating instructions and Declaration of conformity (pt) 315 kB, 22.05.2012

Code: mrl_az-azm415-b_pt

Operating instructions and Declaration of conformity (pl) 156 kB, 11.08.2014

Code: mrl_az-azm415-b_pl

Operating instructions and Declaration of conformity (jp) 415 kB, 17.02.2012

Code: mrl_az-azm415-b_jp

Operating instructions and Declaration of conformity (de) 545 kB, 26.09.2011

Code: mrl_az-azm415-b_de

Operating instructions and Declaration of conformity (da) 316 kB, 06.01.2012

Code: mrl_az-azm415-b_da

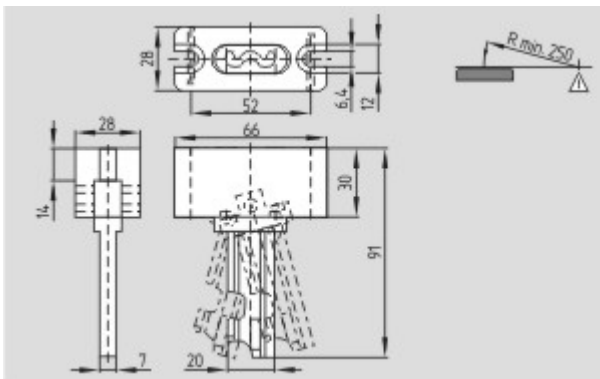
Operating instructions and Declaration of conformity (it) 314 kB, 28.02.2012

Code: mrl_az-azm415-b_it

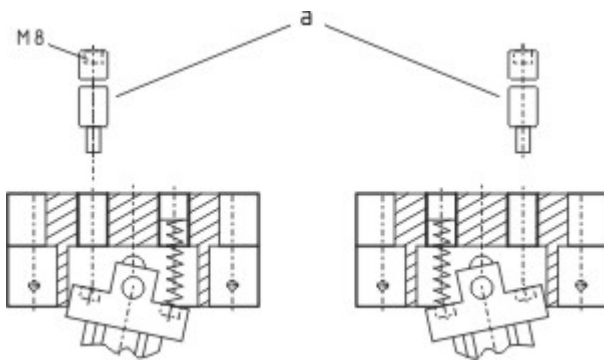
Operating instructions and Declaration of conformity (en) 126 kB, 24.02.2014

Code: mrl_az-azm415-b_en

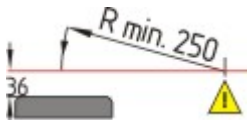
Images



Dimensional drawing (miscellaneous)



Dimensional drawing (miscellaneous)



Actuating radius

K.A. Schmersal GmbH & Co. KG, Mödinghofe 30, D-42279 Wuppertal

The data and values have been checked thoroughly. Technical modifications and errors excepted.

Generiert am 09.05.2017 - 08:15:26h Kasbase 3.2.6.F.64I