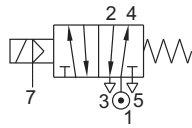


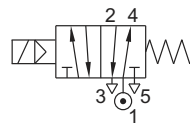
SERIES : 32P

5/2 INTERNAL PILOT OPERATED, SINGLE SOLENOID POPPET VALVE

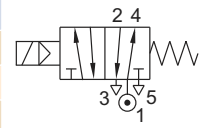
TYPE	PRESSURE
52400	0 - 20 bar
52433	0 - 20 bar



TYPE	PRESSURE
51432	2 - 10 bar
51433	3 - 20 bar
51434	3 - 40 bar



TYPE	PRESSURE
51400	2 - 10 bar
51401	2 - 20 bar
51402	3 - 40 bar



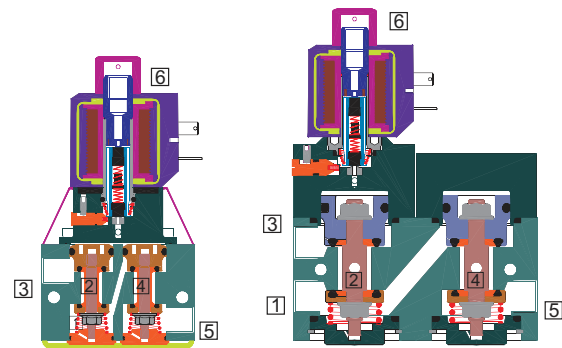
FEATURES

- Bubble tight shut off
- Mounts in any position
- Vibration resistance up to 9g
- Suitable for high speed cycling
- Speed up to 1000 cycles/ min (for 51400), others speed up to 500 cycles/ min
- Life >10 million cycles



WETTED PARTS

Code	※	B1	B2	B5
Body	Anodized Aluminium	Anodized Aluminium	Brass	SS 316
Internals	Aluminium, Brass and SS 316	SS 316	Brass and SS 316	SS 316
Guide Assembly	SS 304			
Shadow-Ring	Copper/ Silver/ None			
Plunger, Insert	SS 430			
Spring/ Circlip	SS 302/ Steel			
Fasteners	SS 304			
Seat, Seals	NBR, Viton, F.Silicon			



AMBIENT AND FLUID TEMPERATURE

-20 °C to 80 °C

SPECIAL VERSION AND SUFFIX

Suffix : (Valve) AM, WO
Special version : (Solenoid) CO, FR, SS, LC, III

MEDIA

Air, Inert Gases, Water, Oil

APPLICATION

Operation of double acting cylinder/ actuator

PORT CONNECTION

INLET	OUTLET	OUTLET	EXHAUST	EXHAUST	PILOT EXHAUST
1	2	4	3	5	6

Contact Rotex for

- Any other ambient, fluid temperature, media and application
- UL listed, Listed general purpose Valve

SPARES

(Refer page 25 for ordering code)

SPARE KIT	CODE
Seal Kit : Oring Set and Plunger Assembly	98
Repair Kit : Oring Set, Plunger Assembly, Fastener, Springs, Manual Override	99
Solenoid Kit : Solenoid, Gasket and Nut	34

APPROVAL

(★ applied for)

Approval	Nema 4X	IP67	Ex d IIC T4 or T5 or T6 IP66	Ex ia IIC T6 IP67	DGMS	CCOE
		✓	✓	✓	✓	✓
CE		✓	✓	✓		
UL	✓		*			
			✓	✓		
			✓	✓		
			✓	✓		



The pressure drop at inlet port causes malfunction of the Valve. All equipment connected between the header and the inlet port should have a higher orifice compared to the solenoid Valve.

5/2 INTERNAL PILOT OPERATED, SINGLE SOLENOID POPPET VALVE

SPECIFICATION

PORT CONNECTION			PRE-SSURE bar		ORIFICE (mm)	FLOW FACTOR kv (LPM OF WATER @ 1 bar ΔP)	VALVE TYPE	PILOT PRESSURE	BODY MATERIAL AND INTERNALS					SEALS				MANUAL OVERRIDE		SOLENOID ENCLOSURE				SUFFIX		POWER VA		CONSTRUCTION REFERENCE NUMBER
SIZE	BSP(F)	NPT(F)	MINIMUM	MAXIMUM					ALUMINIUM	ALUMINIUM + SS	BRASS (STD PORT NPT)	SS 316/CF8M (STD. PORT NPT)	NBR	Viton	EPDM	HYTREL	F. Silicon	NIL	STAY/PUT CUM MOMENTARY	FLYING LEAD	PLUG IN, IP67	SQ. PLUG IN, IP67	TERMINAL BOX IP67	FPJB Ex d IIC, T4 OR T6, IP67	LARGE ENCLOSURE	SOLENOID SIZE	OXYGEN	

5/2 SINGLE SOLENOID

1/4"	2G	2R	1	10	6	12	51400		*	B1	B2	B5	*	S2					M0	*	M8	F	22	25	T	E	III	14	✓	✓	18	12	8	500			
			0	20	6	12	52400	2-20	*	B1	B2	B5	*	S2						M0	*	M8	F	22	25	T	E	III	14	✓	✓	18	12	8	500		
			2	20	6	12	51401		*	B1	B2	B5	*	S2						M0	*	M8	F	22	25	T	E	III	14		✓		18	12	8	500	
3/8"	3G	3R	2	40	6	12	51402		*	B1	B2	B5	*	S2					*	M12 M5	F		25	T	E		18	✓	✓	13	13	13	513				
			1	10	6	12	51400		*	B1	B2	B5	*	S2						M0	*	M8	F	22	25	T	E	III	14	✓	✓	18	12	8	501		
			2	10	10	38	51432		*	B1	B2	B5	*	S2		S19				M0	*	M8	F	22	25	T	E	III	14		✓		18	12	8	502	
			0	20	6	12	52400	2-20	*	B1	B2	B5	*	S2							M0	*	M8	F	22	25	T	E	III	14	✓	✓	18	12	8	502	
			2	20	6	12	51401		*	B1	B2	B5	*	S2							M0	*	M8	F	22	25	T	E	III	14		✓		18	12	8	501
			0	20	10	38	52433	2-20	*	B1	B2	B5	*	S2		S19					M0	*	M8	F	22	25	T	E	III	14		✓		18	12	8	502
			2	20	10	38	51433		*	B1	B2	B5	*	S2		S19					M0	*	M8	F	22	25	T	E	III	14	✓	✓	18	12	8	502	
1/2"	4G	4R	2	40	6	12	51402		*	B1	B2	B5	*	S2					*	M12 M5	F		25	T	E		18		✓		13	13	13	512			
			2	40	10	38	51434		*	B1	B2	B5	*	S2		S19				*	M12 M5	F		25	T	E		18		✓		13	13	13	505		
			1	10	6	12	51400		*	B1	B2	B5	*	S2						M0	*	M8	F	22	25	T	E	III	14	✓	✓	18	12	8	501		
			3	10	16	75	51432		*	B1	B2	B5	*	S2		S19				M0	*	M8	F	22	25	T	E	III	14		✓		18	12	8	503	
			0	20	6	12	52400	2-20	*	B1	B2	B5	*	S2							M0	*	M8	F	22	25	T	E	III	14	✓	✓	18	12	8	501	
			2	20	6	12	51401		*	B1	B2	B5	*	S2							M0	*	M8	F	22	25	T	E	III	14		✓		18	12	8	501
			3	20	16	75	51433		*	B1	B2	B5	*	S2		S19					M0	*	M8	F	22	25	T	E	III	14		✓		18	12	8	503
3/4"	6G	6R	0	20	16	75	52433	2-20	*	B1	B2	B5	*	S2		S19			M0	*	M8	F	22	25	T	E	III	14		✓		18	12	8	502		
			2	40	6	12	51402		*	B1	B2	B5	*	S2					*	M12 M5	F		25	T	E		18		✓		13	13	13	512			
			3	40	16	75	51434		*	B1		B5	*	S2		S19				*	M12 M5	F	22	25	T	E	III	18		✓		13	13	13	506		
			3	10	20	110	51432		*	B1		B5	*	S2		S19				M0	*	M8	F	22	25	T	E	III	14		✓		18	12	8	504	
1"	8G	8R	0	20	20	110	52433	2-20	*	B1		B5	*	S2		S19			M0	*	M8	F	22	25	T	E	III	14		✓		18	12	8	504		
			4	20	20	110	51433		*	B1		B5	*	S2		S19				M0	*	M8	F		25	T	E		14		✓		18	12	8	504	
			3	40	20	110	51434		*	B1		B5	*	S2		S19				*	M12 M5	F	22	25	T	E	III	18		✓		13	13	13	507		
			3	10	25	185	51432		*	B1		B5	*	S2		S19				M0	*	M8	F	22	25	T	E	III	14		✓		18	12	8	508	
1"	8G	8R	0	20	25	185	52433	2-20	*	B1		B5	*	S2		S19			M0	*	M8	F	22	25	T	E	III	14		✓		18	12	8	508		
			4	20	25	185	51433		*	B1		B5	*	S2		S19				M0	*	M8	F		25	T	E		14		✓		18	12	8	508	
			3	40	25	185	51434		*	B1		B5	*	S2		S19				*	M12 M5	F		25	T	E		18		✓		13	13	13	509		

Cable Entry	T	E	F
M20 x 1.5	19	39	✓
1/2" NPT	16	37	01

* = Do not specify when opted for
✓ = Options available

* Valve type printed in red colour is external pilot air/ air operated valve

ORDERING CODE AND EXAMPLE VALVE + SOLENOID

TYPE - SUFFIX - ORIFICE - PORT CONNECTION - BODY AND INTERNALS - MANUAL OVERRIDE - SEAL + SIZE - VOLTAGE - CURRENT - SOLENOID ENCLOSURE - APPROVAL - INSULATION - SPECIAL VERSION
e.g. 51400-6-2G+230V 50Hz-22; 51432-16-4R-B2-S2+110V DC-19-III

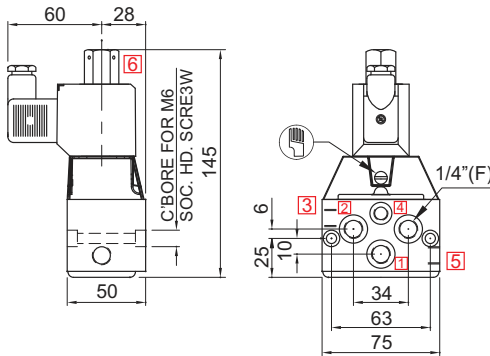


5/2 INTERNAL PILOT OPERATED, SINGLE SOLENOID POPPET VALVE

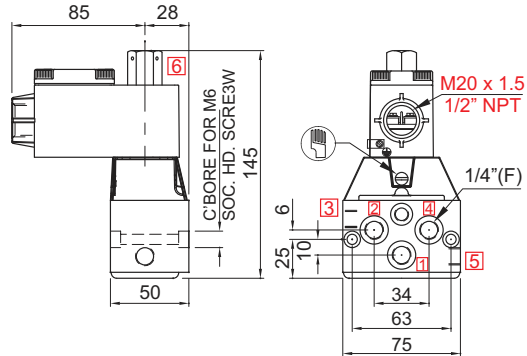
DIMENSIONS All Dimensions are in mm

CONSTRUCTION REFERENCE : 500

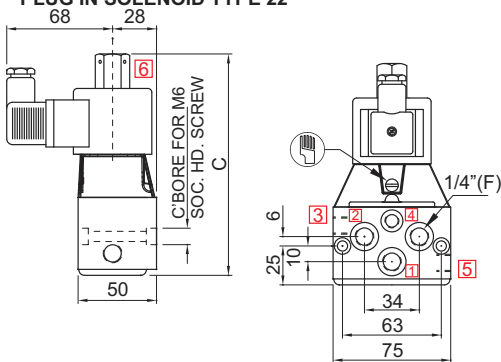
VALVE TYPE : 51400, 52400, 51401



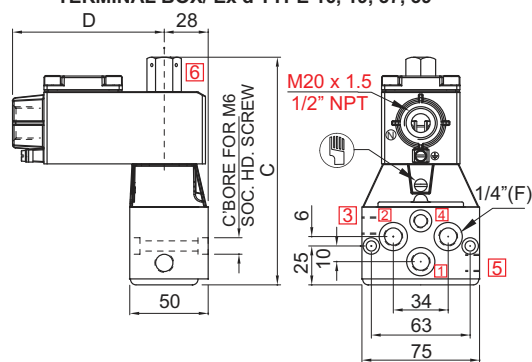
PLUG IN SOLENOID TYPE 22



TERMINAL BOX/ Ex d TYPE 16, 19, 37, 39



PLUG IN SOLENOID TYPE 25

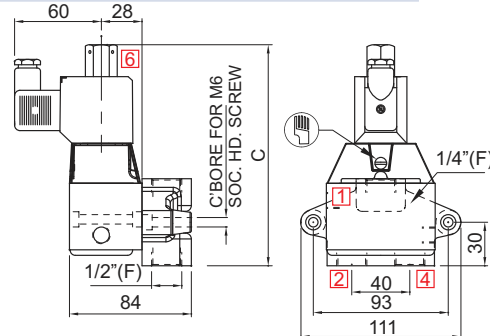


TERMINAL BOX/ Ex d LARGE ENCLOSURE, TYPE 16, 19, 37, 39

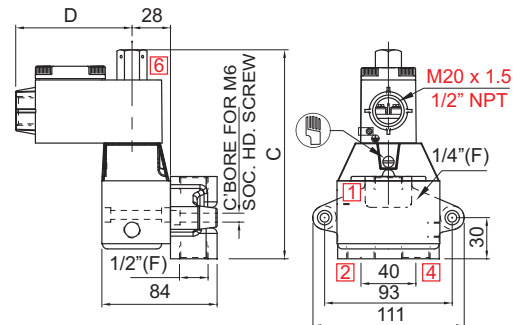
VALVE TYPE	CONST. REF.	
	C	
52400, 51400, 51401	150	501
51402	162	512

CONSTRUCTION REFERENCE : 501

VALVE TYPE : 51400, 51401, 52400

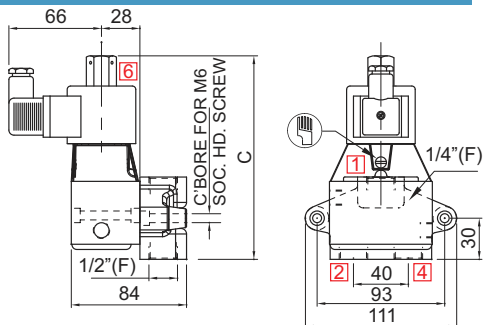


PLUG IN SOLENOID TYPE 22

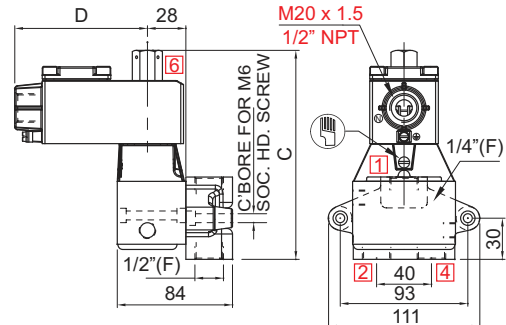


TERMINAL BOX/ Ex d TYPE 16, 19, 37, 39

CONSTRUCTION REFERENCE : 501



PLUG IN SOLENOID TYPE 25



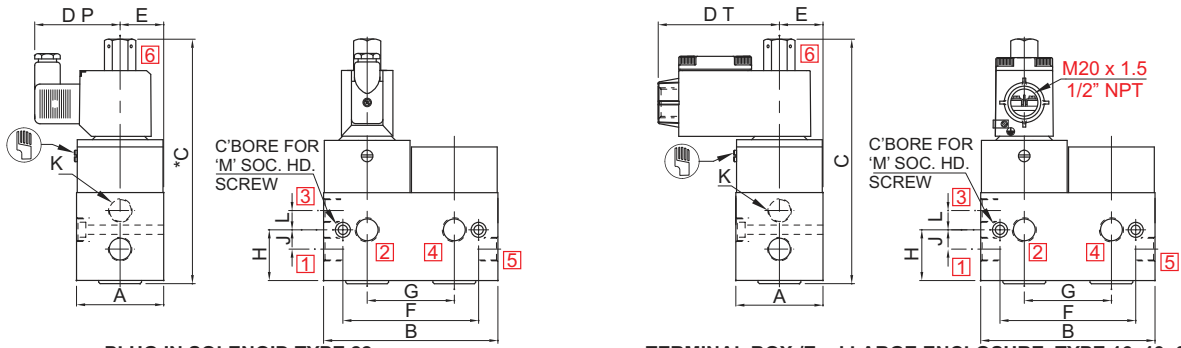
TERMINAL BOX/ Ex d LARGE ENCLOSURE, TYPE 16, 19, 37, 39

VALVE TYPE	CONST. REF.	
	C	
52400, 51400, 51401	150	501
51402	162	512

5/2 INTERNAL PILOT OPERATED, SINGLE SOLENOID POPPET VALVE

DIMENSIONS

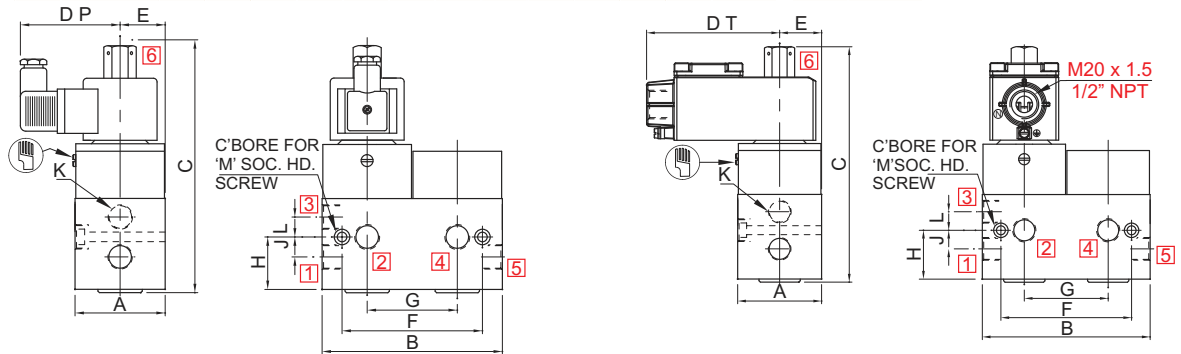
All Dimensions are in mm



PLUG IN SOLENOID TYPE 22

TERMINAL BOX /Ex d LARGE ENCLOSURE, TYPE 16, 19, 37, 39

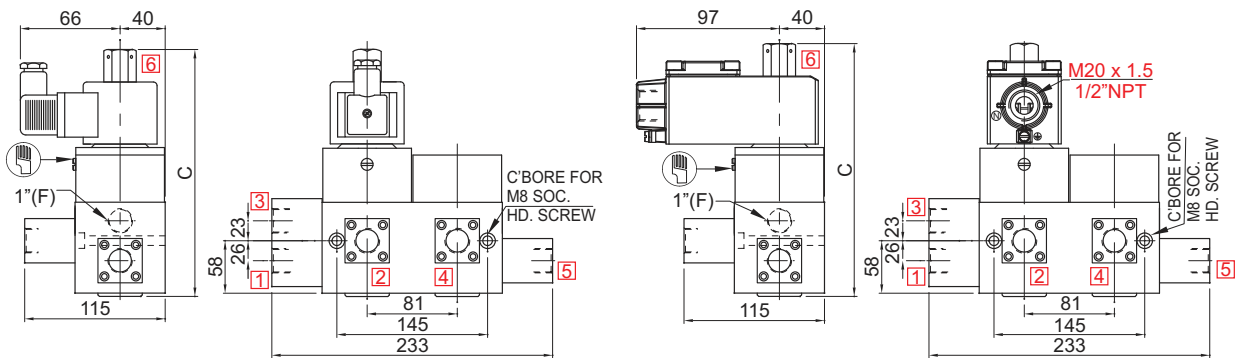
NW	K (PORT SIZE)	A	B	C	DP	DT	E	F	G	H	J	L	M	CONST. REF.	C	CONST. REF.
VALVE TYPE : 51432, 51433, 51434, 52433															51434	
10	3/8"	61	122	171	60	85	30.5	95	61	35.5	13.5	13.5	M6	502	191	505
16	1/2"	81	165	201	60	85	40.5	145	81	47.5	18	18	M8	503	221	506
20	3/4"	81	165	210	60	85	40.5	145	81	57.5	26	23	M8	504	230	507



SQ. PLUG IN SOLENOID TYPE 25

TERMINAL BOX / Ex d LARGE ENCLOSURE, TYPE 16, 19, 37, 39, LC

NW	K (PORT SIZE)	A	B	C	DP	DT	E	F	G	H	J	L	M	CONST. REF.	C	CONST. REF.
VALVE TYPE : 51432, 51433, 51434															51434	
10	3/8"	61	122	171	68	97	30.5	95	61	35.5	13.5	13.5	M6	502	191	505
16	1/2"	81	165	201	68	97	40.5	145	81	47.5	18	18	M8	503	221	506
20	3/4"	81	165	210	68	97	40.5	145	81	57.5	26	23	M8	504	230	507



PLUG IN SOLENOID TYPE 22/ 25

TERMINAL BOX / Ex d LARGE ENCLOSURE, TYPE 16, 19, 37, 39, LC

VALVE TYPE	C	CONST. REF.
51432/ 51433	210	508
51434	229	509