

* METERS
SEE NOTE 1

CABLE LENGTH	TOLERANCE
ALL LENGTHS	+ 4% (OR 50mm) OF LENGTH - 0% (OR 0mm) OF LENGTH WHICHEVER IS GREATER
STRIP LENGTH	TOLERANCE
0-7mm	±0.5mm
8-29mm	±1.0mm
30-49mm	±2.0mm
50-69mm	±3.0mm
70-100mm	±4.0mm
OVER 100mm	±5.0mm



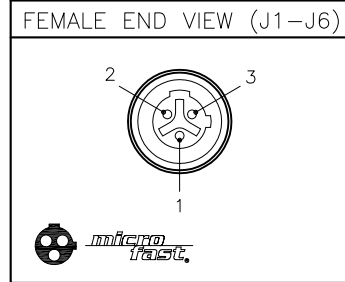
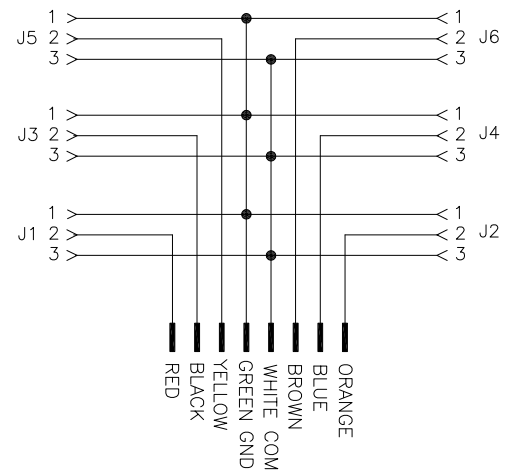
SB-CC CLOSURE
CAPS (2 INCLUDED)

NOTES:

1. "*" INDICATES CABLE LENGTH IN METERS. CONTACT TURCK TO ORDER SPECIFIC LENGTHS.

SPECIFICATIONS	
CABLE DATA	
NUMBER OF CONDUCTORS [AWG]	8x18 AWG
DRAIN/SHIELD	20 AWG DRAIN/POLYESTER FOIL SHIELD
CONDUCTOR INSULATION	PVC
OUTTER JACKET MATERIAL/COLOR	PVC/BLACK
MATERIAL	
HOUSING/COLOR	NYLON/YELLOW
RECEPTACLE	BRASS/NICKEL
CONTACT CARRIERS/COLOR	NYLON/BLACK
CONTACTS	BRASS/GOLD
ELECTRICAL DATA	
OPERATING VOLTAGE	250 VAC/300 VDC
OPERATING CURRENT	4.0 AMPS PER PORT, 9.0 AMPS TOTAL
MECHANICAL DATA	
PROTECTION CLASS to DIN 40050	IP 67 - ONLY WHEN ALL RECEPTACLES ARE COVERED WITH PLUGS OR CONNECTED
OPERATING TEMPERATURE	-40°C to +105°C (-40°F to +221°F)

WIRING DIAGRAM



SOURCE DRAWING - FOR REFERENCE ONLY

RELATED DOCUMENTS		3RD ANGLE PROJECTION		THIS DRAWING IS CONFIDENTIAL AND THE PROPERTY OF TURCK INC. USE OF THIS DOCUMENT WITHOUT WRITTEN PERMISSION IS PROHIBITED.		 High Technology Sensors and Automation Controls		3000 CAMPUS DRIVE MINNEAPOLIS, MN 55441 1-800-544-7769 (763) 553-7300 (763) 553-0708 fax turck.com		
1.			DRFT	RDS	DATE	02/20/07	DESCRIPTION VBKB 60-*			
2.			APVD		SCALE	1=2				
3.		ALL DIMENSIONS DISPLAYED ON THIS DRAWING ARE FOR REFERENCE ONLY	UNIT OF MEASUREMENT				IDENTIFICATION NO.		REV C	
4.			MILLIMETER [INCH]							
MATERIAL		SEE SPECIFICATIONS		CONTACT TURCK FOR MORE INFORMATION		DO NOT SCALE THIS DRAWING		FILE: 777010003		
FINISH		SEE SPECIFICATIONS						SHEET 1 OF 1		

C	UPDATE CABLE DIAMETER	KMY	05/30/12	37625
REV	DESCRIPTION	BY	DATE	ECO NO.