

# 1/8" AND 1/4" AIR OPERATED, SPRAY DELIVERY, FOR LIQUID OR GREASE

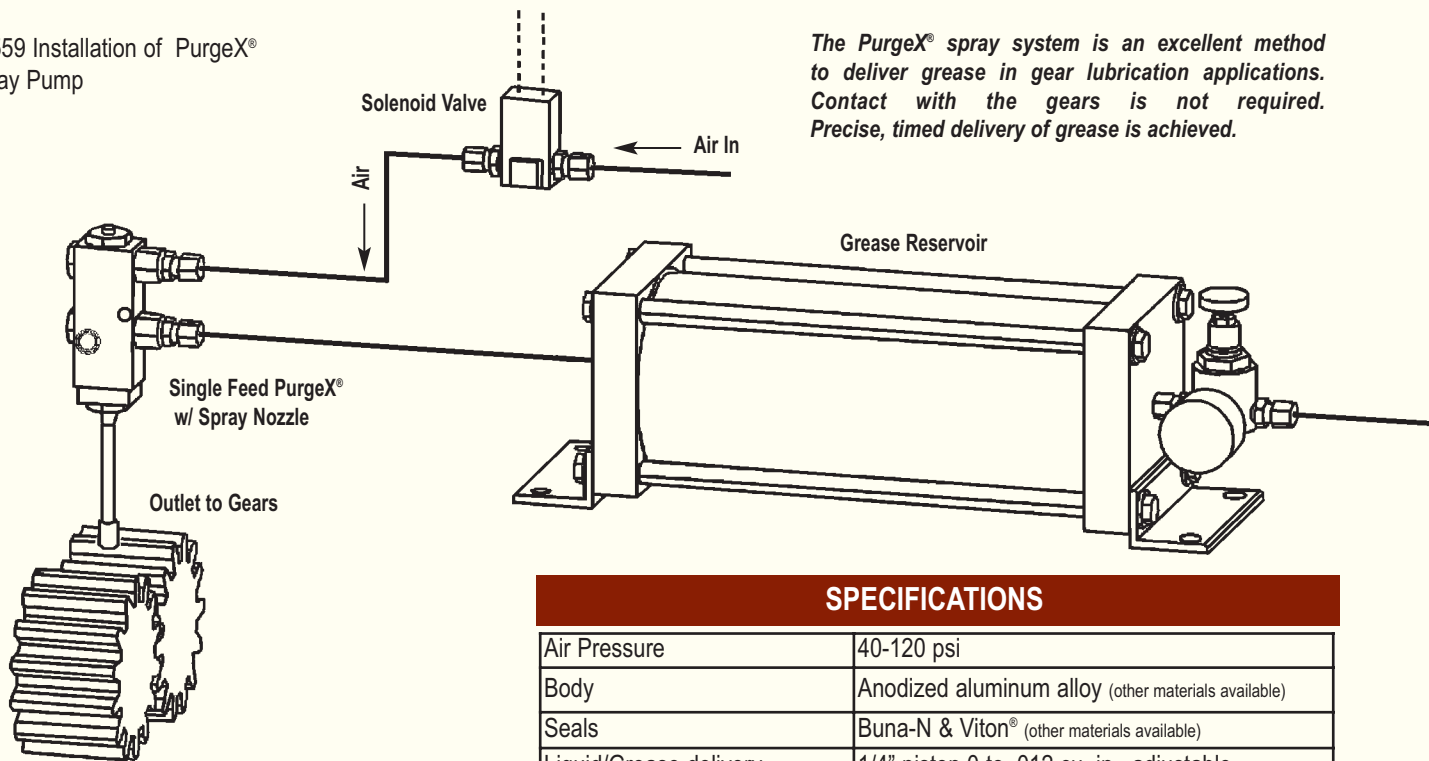
PurgeX® is an excellent way to spray both liquid or grease at the desired point. Separate controls for both the air and lubricant delivery are provided. The lubricant and the air mix at the nozzle tip to maximize delivery efficiency. Quality engineering and manufacturing provide simplicity of operation and reliability over long periods of time. Precise volumetric delivery is achieved with a positive displacement design and adjustment capability.

- Air pressure from 3-way solenoid valve begins lubrication cycle.
- When the air pressure is removed, the internal piston and evacuation valve retract, allowing liquid or grease to enter the pumping chamber.
- For applications with multiple feed points, the PurgeX® is supplied in a manifold with common air and liquid/grease inlet ports, using the Threadapter® connector. Each PurgeX® in the manifold operates as an individual pump with a separate adjustment for lubricant delivery per cycle.
- In liquid delivery applications, the air operated design allows use in high cycle speed applications, delivering small amounts of liquid per cycle.
- Integral 8 inch coaxial spray nozzle is flexible yet rigid enough to allow for precise positioning of the nozzle to target. Other lengths are available upon request.



## TYPICAL INSTALLATION

B3559 Installation of PurgeX® Spray Pump



*The PurgeX® spray system is an excellent method to deliver grease in gear lubrication applications. Contact with the gears is not required. Precise, timed delivery of grease is achieved.*

## SPECIFICATIONS

Air Pressure	40-120 psi
Body	Anodized aluminum alloy (other materials available)
Seals	Buna-N & Viton® (other materials available)
Liquid/Grease delivery per cycle	1/4" piston 0 to .012 cu. in., adjustable 1/8" piston 0 to .0012 cu. in., adjustable
Temperature range	-15° F to 180° F
Piston ratio	1/4" piston 9:1 1/8" piston 25:1
Piston diameter and stroke	1/4" piston .250 dia. by .250 stroke 1/8" piston .125 dia. by .100 stroke
Grease type	Grade 00, 0, 1, 2
Nozzle length	8 inches std. (other sizes available)