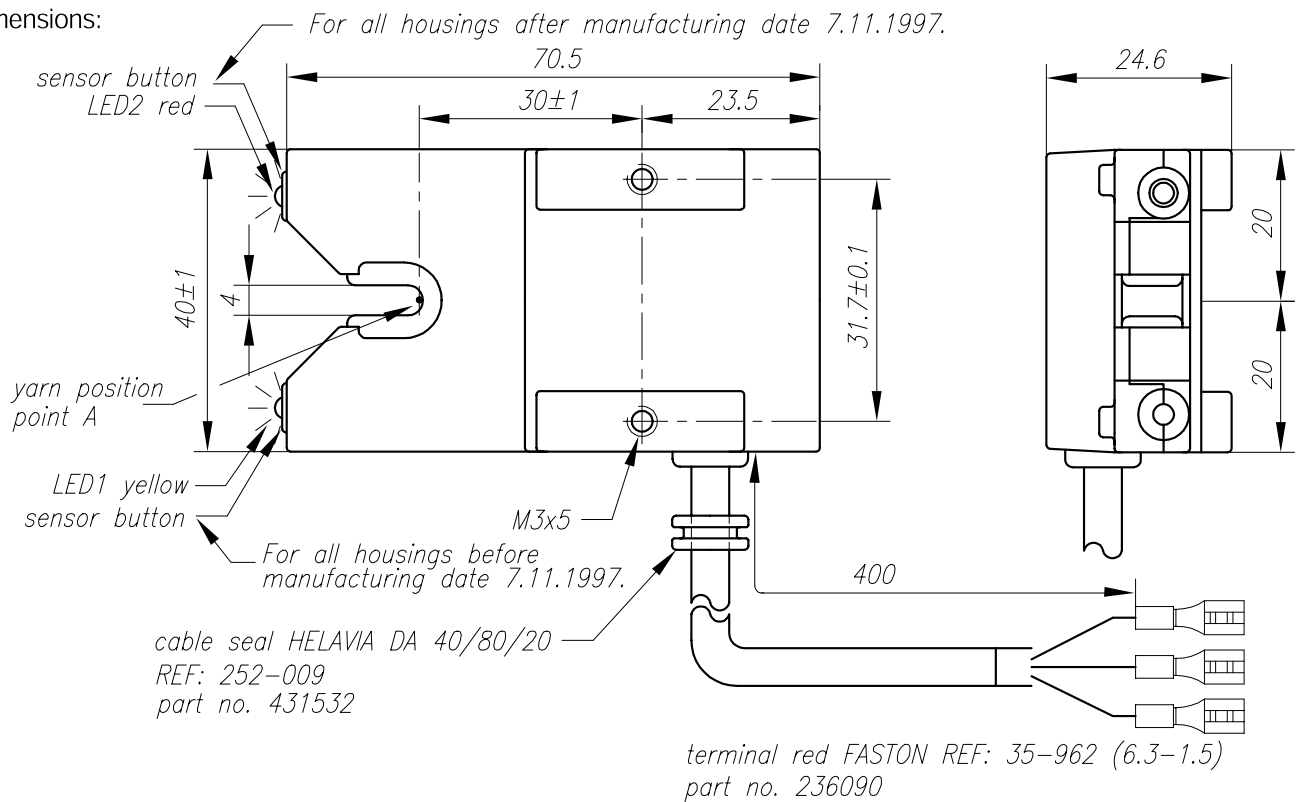
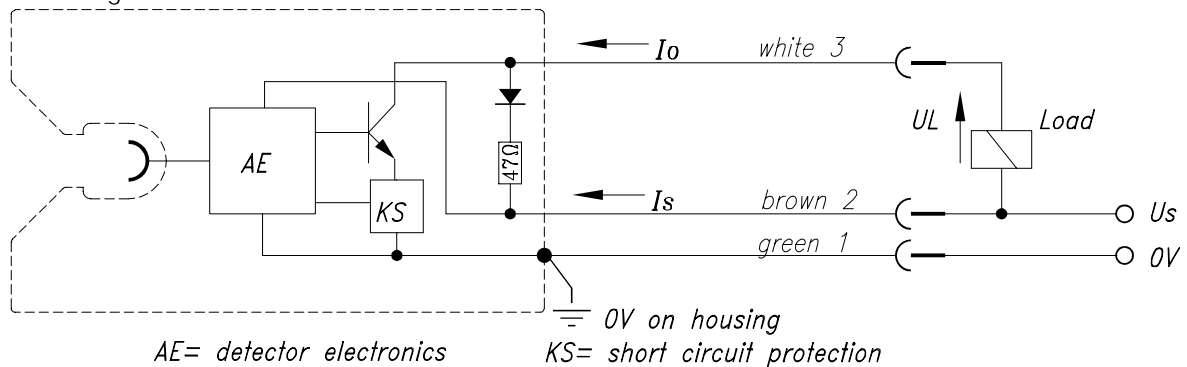


Dimensions:




Connection diagram:



- Application** : For staple fibre yarn and filament yarn at speeds higher than 4m/s (240m/min). The detector is working independent of material, spinline and titer as long as the yarn is touching the bottom of the yarn guide at the point A.
- Supply voltage U_s** : 24VDC±25%; max. Ripple 100Hz: 100% max. Ripple 300Hz: 20%
- Supply current I_s** : max. 15mA
- Power ON delay t_{PON}** : = t_R
- Reaction time t_R** : t_R = approx. 0.07s (after yarn break)
- Current I_o** : yarn is running: $I_o = 0A$
yarn is not running, after reaction time t_R : $I_o = \text{max.}1.6A$ 10%ED;
 $I_o = \text{max.}0.5A$ 100%ED
- Load voltage U_L** : $U_L = U_s - 2V$
- Function of sensor button** : By touching the sensor button the detector is switched in the "OFF" position, this is indicated by the illuminated LED1.
- Switch "ON" delay t_{TON}** : After the yarn has been running uninterruptedly during the time t_{TON} = approx. 5.5s the detector is switched ON automatically; LED1 turns OFF.
- Function of the LED1** : is illuminated if detector is in "OFF" position
- Function of the LED2** : illuminated if yarn is not running
- Delay time t_D** ; after the yarn begins to run: $t_D \text{ max.} = 0.1s$.

8035 685A
HebCon GmbH / Switzerland

| | | |
|---|------------------|----------------------|
| designer | date: 13.03.1998 | name: W.Hug/Hu |
| drawn | date: 13.03.1998 | name: G.Schneider/Sg |
| european projection  | article number | status |
| | 8035'0161 | 03 |