

Main Features:



- General building supervisory approval issued by DIBt: Z-65.40-496
- Certification of Product Approval by SVTI ASIT: KVVU-No. 321.012.14
- Vlare II (Corcon bvba) Prototypekeur certificaat nr.: CP0914/3073-HCC001
- Integrated measuring transducer and test button connection
- No moving parts
- All plastic version
- For universal connection
 - PLC or signalling device – MAXIMAT TC1/TC4
 - Supply power isolator – CST or Coupling relays
 - Measuring transducer – MAXIMAT SHR C
- Suitable for electrically conductive, non-flammable liquids

Application:

Leakage detection for double-wall piping

Description:

The MAXIMAT LW CX SDR compact leakage sensor is used to signal leakage from double-wall containers or piping with water endangering liquids. When an electrically conductive liquid comes into contact with the measuring sensors, the integrated electronics respond by interrupting the continuously generated signal. Acoustic and optical alarms can be triggered upon interruption of the signal.



Technical Data:

Functional principal:	Capacitive high-frequency, fail-safe
Ambient temperature:	-20 to +60°C
Operating pressure:	Atmospheric, 0.8 to 1.1bar
Terminal housing:	PBT, fibre-glass reinforced, IP65 protection per EN 60 529
Process interface:	See order information
Supply power:	15 to 27V DC
Connected load:	<1W
Material:	Sensor = PE, Sleeve nut = PVC, Reference electrode sealing = TPR, Probe and valve sealing = EPDM

- ❖ WHG Germany
- ❖ KVVU Switzerland
- ❖ Vlare II Belgium

Technical layouts, materials etc. are subject to change at any time without notice.

Technical Data (continued):

Outputs:

- **Floating reed relay contact** (contact opens in case of alarm)
for extra-low voltage, max. 50V AC / DC, max. 0.5A, max. 10VA
e.g. for operating coupling relays or PLC, TC4 signalling device or CST supply power isolator
- **2-wire alarm evaluation** with MAXIMAT SHR C measuring transducer

Note: Simultaneous use of both outputs is not possible.

Terminals: Screw terminal for wire cross-sections of up to 2.5mm²

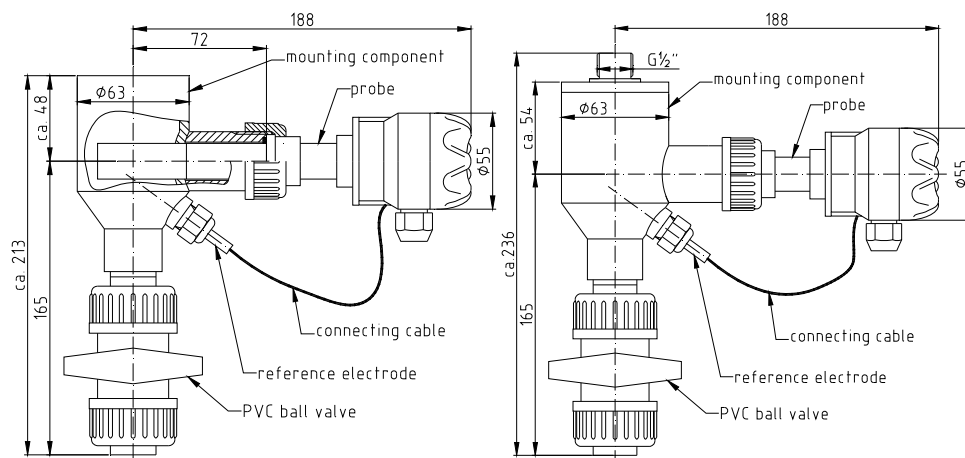
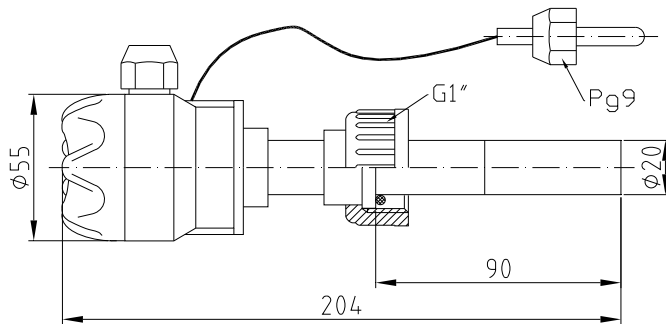
Additional function:

Connection of an external test button (floating contact) with which the entire MAXIMAT LW CX SDR electronics, the wiring and the signalling device / control unit can be tested.

CE Mark:

The device fulfills the legal requirements of applicable EU-guidelines

Dimensions:



**MAXIMAT LW CX SDR with ET 25_E
mounting component**

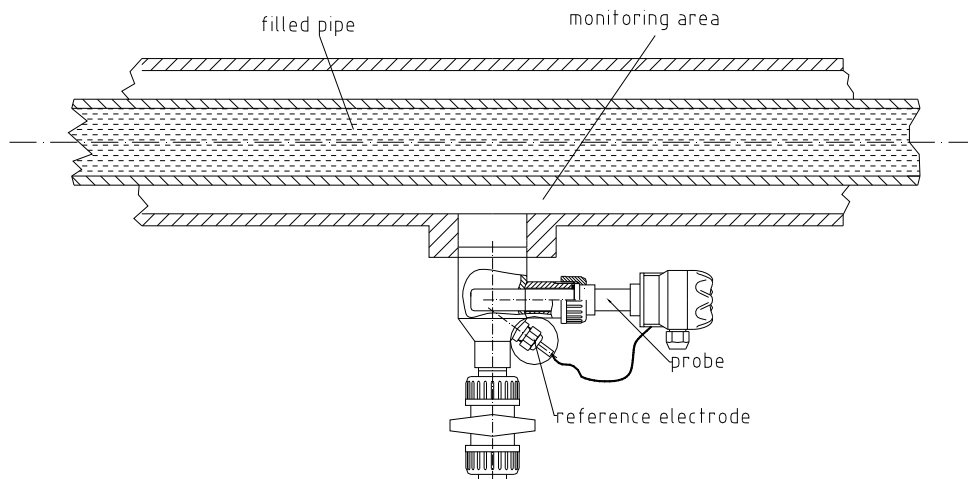
**MAXIMAT LW CX SDR with AG 25_E
mounting component**

Technical layouts, materials etc. are subject to change at any time without notice.

COMPACT LEAKAGE SENSOR MAXIMAT LW CX SDR

Order Information:

Article No.	Designation	Description
556 810	MAXIMAT LW CX-SDR 4	PE leakage sensor with 20mm sensor unit with G1"-sleeve nut and reference electrode with Pg9-connection
556 820	ET 251 E	PVC mounting component, 63mm dia. glue joint, with DN15 PVC ball valve
556 830	ET 254 E	PE-HD mounting component, 63mm dia. fusion sleeve, with DN15 PVC ball valve
556 840	AG 251 E	PVC screw-in component, G½" threaded connection, with DN15 PVC ball valve
556 850	AG 254 E	PE-HD screw-in component, G½" threaded connection, with DN15 PVC ball valve



Technical layouts, materials etc. are subject to change at any time without notice.