



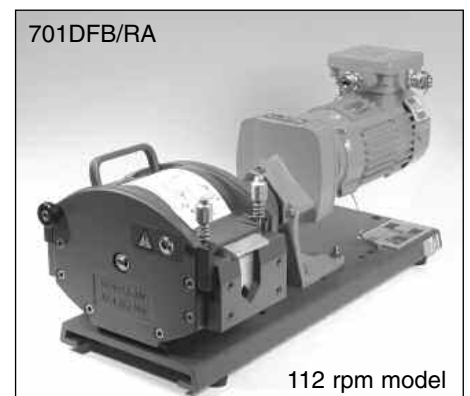
Improving your PERFORMANCE

701DFB/RA and 701DFB/REA ATEX pumps

Technical information

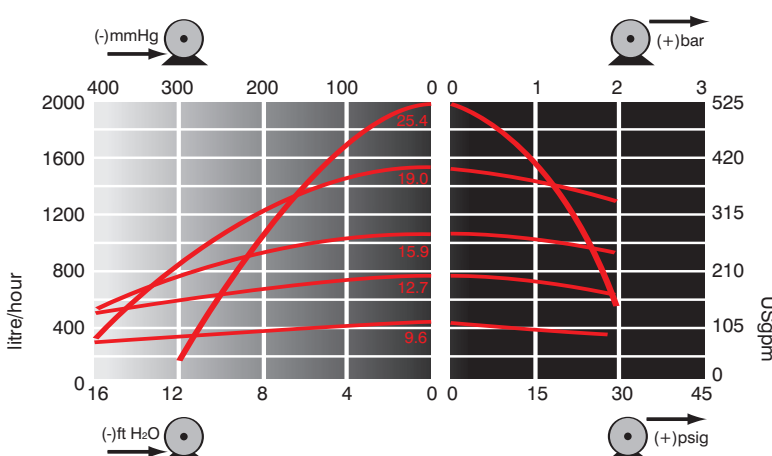
- ATEX Category II Group 2 Gas max surface temperature 135C (II 2G c IIB T4) fixed pump assembly
- 701RBA and 701RBXA pumpheads for use with 9.6, 12.7, 15.9 and 19.0mm bore 4.8mm wall thickness continuous tubing
- 701RBEA and 701RBEXA pumpheads for use with 12.7mm, 15.9mm and 19.0mm bore LoadSure tubing elements fitted with Cam and Groove connectors
- One minute maintenance from patented LoadSure technology
- Pumphead has four driven rollers and a spring loaded track for extended tube life and reduced pulsation
- Variable frequency drive* control motor options
- 0.37kW geared units and 1.1kW motors, 230/400V 3 phase 50Hz TEFC EExd IIB T4 geared units with positive temperature coefficient (PTC) thermistors
- 0.37kW & 1.1kW variable frequency drive options available with various control functionality

*10:1 speed reduction available using VFD from geared units, must be fitted with thermistors



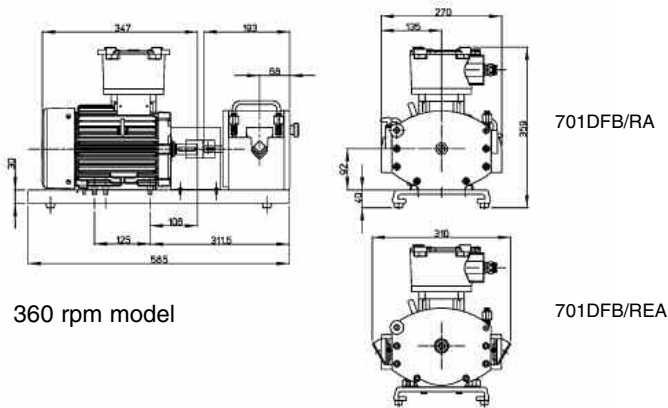
Flow rates at transfer pressure with water at 20C (litres/hour)

Fixed speeds	701R continuous tubing					701RE LoadSure elements		
	9.6mm	12.7mm	15.9mm	19.0mm	25.4mm	12.7mm	15.9mm	19.0mm
112rpm	130	240	340	470	620	240	340	470
360rpm	420	780	1100	1500	2000	780	1100	1500

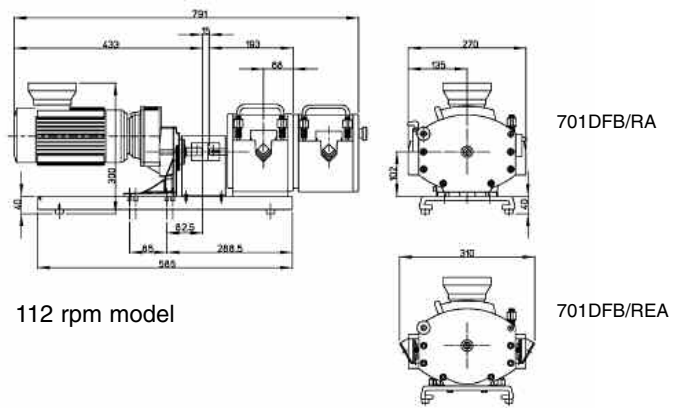


For critical applications determine flow under operating conditions. Flow can vary due to tube tolerances and system configuration

Flow rates at 360rpm, clockwise, water 20°C



360 rpm model



112 rpm model

701DFB/RA and 701DFB/REA ATEX pumps

Order information			
Pump ordering codes			
Pump	rpm	Supply	Product code
701DFB/RA	112	230/400V 50Hz 3ph 0.37kW *10:1	070.1012.000
PTC's plated for inverter use	360	230/400V 50Hz 3ph 0.37kW *10:1	070.1032.000
701DFB/REA	112	230/400V 50Hz 3ph 0.37kW *10:1	070.1012.E00
PTC's plated for inverter use	360	230/400V 50Hz 3ph 0.37kW *10:1	070.1032.E00
*10:1 speed reduction available using VFD. Geared units fitted with PTC thermistors			
Pumphead ordering codes			
Pumphead	Description	Product code	
701RBA	Four roller continuous tubing ATEX pumphead	073.0101.A00	
701RBEA	Four roller LoadSure element ATEX pumphead	073.0104.A00	
701RBXA	Four roller continuous tubing ATEX extension pumphead	073.0111.A00	
701RBEXA	Four roller LoadSure element ATEX extension pumphead	073.0114.A00	
701RBGA	Four roller continuous tubing ATEX pumphead for STA-PURE tubing	073.0121.A0G	
Variable frequency drive ordering (0.25kW)			
Inverter	Filter	Supply	Product code
Micromaster Compact "Plus"	Class B	230/400V 50Hz/60Hz 3ph	079.4037.1FP
Micromaster Compact "Basic"	Class A	230/400V 50Hz/60Hz 3ph	079.4037.1FB
Micromaster Compact "Vector"	Class A	230/400V 50Hz/60Hz 3ph	079.4037.1FV
Micromaster Compact "Basic"	Class A	230/400V 50Hz/60Hz 3ph	079.4110.1FB
Micromaster Compact "Vector"	Class A	230/400V 50Hz/60Hz 3ph	079.4110.1FV

Tubing 4.8mm wall tubing ordering codes			
Bore/wall (mm)	Bioprene	Marprene	Platinum Silicone
9.6/4.8	903.0096.048	902.0096.048	913.A096.048
12.7/4.8	903.0127.048	902.0127.048	913.A127.048
15.9/4.8	903.0159.048	902.0159.048	913.A159.048
19.0/4.8	903.0190.048	902.0190.048	913.A190.048
25.4/4.8	903.0254.048	902.0254.048	913.A254.048
Bore/wall (mm)	Neoprene	STA-PURE	Chem-Sure
9.6/4.8	920.0096.048	960.0096.048	965.0096.048
12.7/4.8	920.0127.048	960.0127.048	965.0127.048
15.9/4.8	920.0159.048	960.0159.048	965.0159.048
19.0/4.8	920.0190.048	960.0190.048	965.0190.048
25.4/4.8	920.0250.048	960.0250.048	965.0250.048

LoadSure elements			
Bore/wall (mm)	12.7mmx4.8mm C&G with PP 3/4" connectors	15.9 mmx4.8mm C&G with PP 3/4" connectors	19.0mmx4.8mm C&G with PP 3/4" connectors
Marprene	902.0127.PPC	902.0159.PPC	902.0190.PPC
Neoprene	920.0127.PPC	920.0159.PPC	920.0190.PPC

Specification

Weight	35kg max
Ingress protection	IP55 geared unit
Operational temperature range	5°C to 40°C
Noise	< 70dB(A) @ 1m
Control ratio	10:1 for motors fitted with thermistors
Standards	CE. EN60529 (IP55), EN50014, EN13463-1:2001
Supply	230/400V 50Hz 3 phase

Materials of construction

Motor	Cast aluminium alloy
Gearbox	Cast iron
Rotor end plates	Aluminium
Cradle assembly, track	Aluminium epoxy finish - black
Central shaft	EN24 steel
Sun gear	Mild steel - zinc plated
Earth leads	Copper, tin plated
Clamp release levers	Glass-filled nylon
Springs, spindles	Stainless steel
Fixings	Stainless steel



Watson-Marlow-Bredel Pumps
Falmouth
Cornwall
England
TR11 4RU
Tel: +44 (0) 1326 370370
Fax: +44 (0) 1326 376009
www.watson-marlow.com
Email support4gb@watson-marlow.co.uk

All flow rates shown were obtained pumping water at 20C (68F) with zero suction and delivery heads.

Watson-Marlow, Bioprene and Marprene are trademarks of Watson-Marlow Limited.

Disclaimer: The information contained in this document is believed to be correct but Watson-Marlow Limited accepts no liability for any errors it contains, and reserves the right to alter specifications without notice.

© Chem-Sure and © STA-PURE is a registered trademark of W.L. Gore & Associates Inc.

Please state the product code when ordering pumps and tubing.