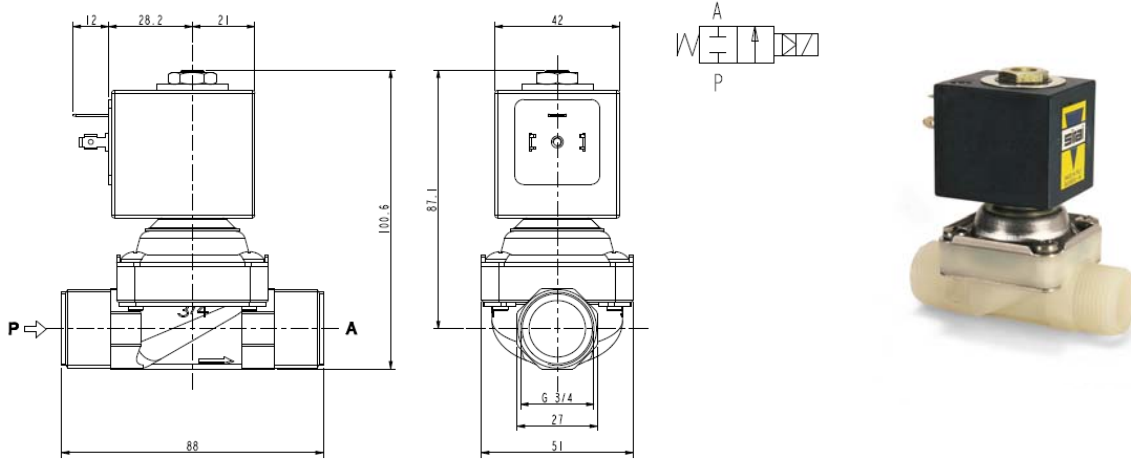




SOLENOID VALVE
2/2 - NC (Normally closed)
Pilot operated
G3/4

L131



► **GENERAL FEATURES**

Diaphragm valve, pilot operated, having full orifice.
 The fluid is not in contact with components either in copper or its alloys.
 Suitable to shut off liquid and gaseous fluids (verify the compatibility of fluid with materials in contact).

► **TECHNICAL FEATURES**

Maximum allowable pressure (PS) 10 bar
Opening time ~30ms
Closing time ~50ms
Fluid temperature -10°C +80°C
Max viscosity 5°E (~37 cStokes or mm²/s)

► **MATERIALS IN CONTACT WITH FLUID**

Body PP (polypropylene) fibreglass reinforced.
Sealing FPM
Internal components Stainless steel and PP fibreglass reinforced
Seat PP fibreglass reinforced
Core tube Stainless steel
Shading coil Silver plated copper (only L131V08)

► **COIL**

Continuous duty ED 100%
Encapsulation material PET (polyethylene terephthalate) fibreglass reinforced
Insulation class F (140°C) on request class H (165°C) - UL
Ambient temperature -10°C +60°C
Electric connections DIN 46340 - 3 poles plug connector (EN175301-803)
Protection degree IP 65 (EN 60529) with plug connector
Voltages AC 24V/50Hz-110V/50Hz(120V/60Hz) - 230V/50Hz (+10% -15%)
DC 12-24V (+10% -15%)
 (Other voltages and frequencies on request).

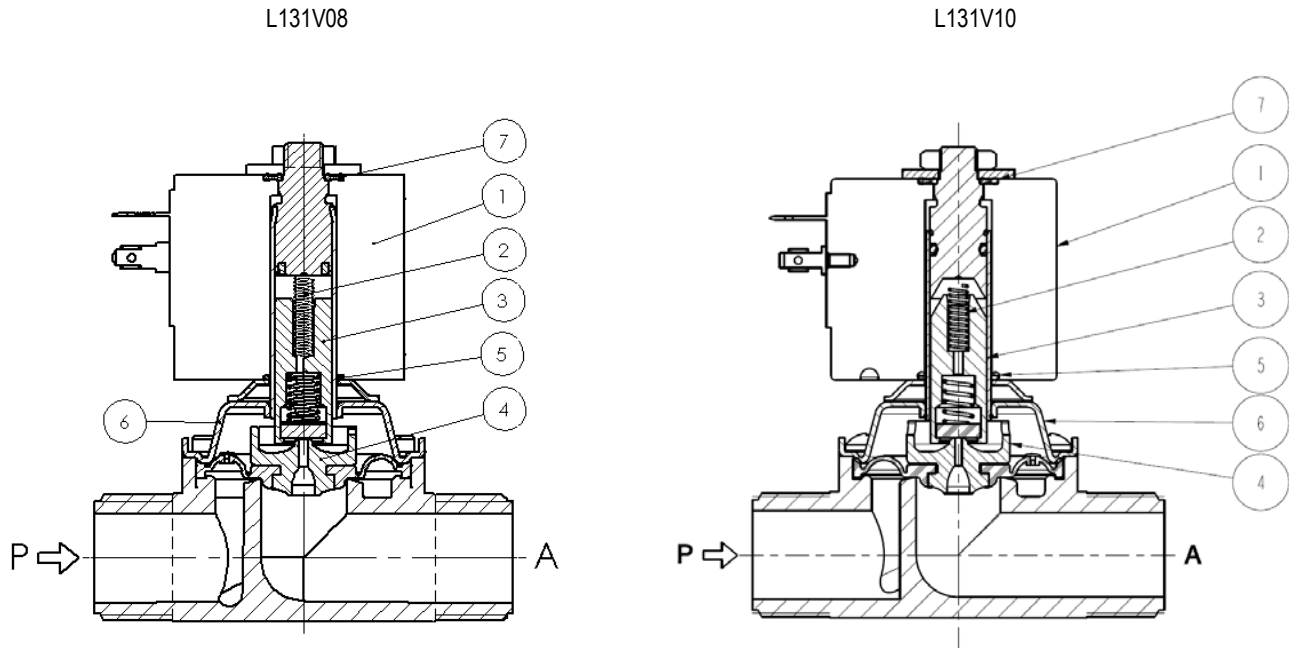
Port size ISO 228	Orifice size (mm)	Differential pressure (bar)				Kv (m ³ /h)	Series and type		Power absorption			Sealings	Notes	Weight (kg)	
		Δp min	Δp max				Valve	Coil	AC (VA)		DC (W)				
			Gas		Liquids				Inrush	Holding					
			AC	DC	AC										DC
G 3/4	18	0,2	6	-	6	-	4,8	L131V08	Z130A	44	24	-	FPM	-	0,470
			-	6	-	6	3,5	L131V10	Z130N	-	-	18			

► **NOTE**

- Sealings : FPM = Fluoro-carbon elastomer
- Continuous changes of pressure may reduce the life of the diaphragm.
- 1 - Model available on request

L131

► SPARE PARTS



Kit description	Kit P.N.	Consisting of:
Core kit	L131V08 G3083801	Core return spring pos. 2
	L131V10 G3150401	Core pos. 3
Core spring kit	L131V08 G2002301	N.10 core return spring pos. 2
	L131V10 G2918601	
Diaphragm assembly kit	L131V08 G3141701	Diaphragm assembly pos.4
	L131V10 G3150601	
Kit OR for coil	GU2421000015	N.10 OR for coil pos.5
Kit gasket for coil	G3067301	N.10 gaskets pos.7
Guide assembly	L131V08 298544-002R	Guide assembly pos. 6
	L131V10 298544-004R	
Coil	L131V08 Z130A	Coil pos. 1
	L131V10 Z130N	

► INSTALLATION

- Solenoid valve can be mounted in any position; vertical with coil upwards preferred.
- In case of disassembling for usual maintenance, the coil fixing nut has to be tightened with 5÷7 Nm torque.

THE VALIDITY OF REPORTED DATA IS REFERRED TO THE DATE OF ISSUE. POSSIBLE UPDATES ARE AVAILABLE ON REQUEST.