

WG Series

# RGE / RGE-R

Electronic earth leakage relay with external transformer of the WG / WGC Series



## Description

Electronic earth leakage protection relay, used to connect to the earth leakage transformers **WG / WGC** Series

- These electronic relays offer a high reliability, with the option of a fixed or adjustable sensitivity and delay
- Type A relay with high frequency current filtering and high immunity. Monitoring of the true root mean square (TRMS)
- Assembly on DIN rail 46277
- Reduced size: 2 modules
- LED indicators:
  - Permanently lit leak indicator
  - LED: Trigger relay
  - Flashing *power* LED and lit leak LED: detection of faults in the transformer's continuity
  - Flashing leak LED indicator (only **RGE-R** and **RGE-R1**): Leak with a value under the value selected
    - 1 flash every 2 s: 25 ... 50 % of the leakage current
    - 1 flash every 1 s: 50 ... 75 %
    - 2 flashes every 1 s: 75 ... <100 %
    - Permanently: 100 %

## Application

The relays of the **RGE** series and the transformer of the **WG / WGC** series enable a full earth leakage protection for both single and three-phase lines. They guarantee maximum security and continuity of the electrical service, avoiding unwanted tripping.

## Features

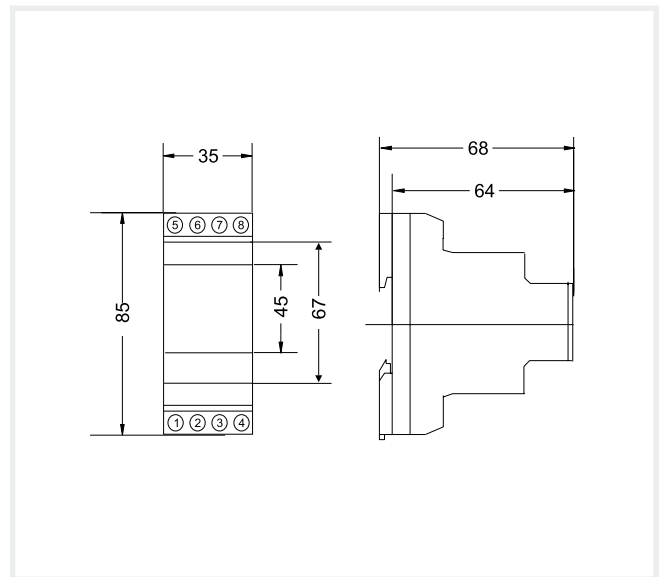
<b>Protection</b>	
Class	A superimmunized
Measurement	True root mean square (TRMS)
Sensitivity	0.03 A / 0.3 A / 0.5 A / 0.03 ... 3 A ( <b>R1</b> ) / 0.03 ... 5 A ( <b>R</b> )
Delay	0.02 / 0.02 ... 1 s ( <b>R1</b> ) / 0.02 ... 5 s ( <b>R</b> )
Earth leakage transformer	External, TRANSFORMERS <b>WG / WGC</b>
Test and Reset	With built-in buttons, T & R
Remote Control	External Test Option
Associated circuit breaker	Contact or Circuit breaker + trigger coil <ul style="list-style-type: none"> <li>• Power supply voltage</li> <li>• Trip due to leakage</li> <li>• Disconnection of the external transformer</li> <li>• Pre-alarm (<b>R-R1</b>)</li> </ul>
LED indicator	
Display View	-
Remote signaling	-
Circuit breaker control	Through an NO/NC switched relay, depending on the connection with the circuit breaker
<b>Features</b>	
Auxiliary power supply	230 Vac (± 20 %) 50 / 60 Hz (other values on demand)
Output contacts	250 Vac, 6 A
Operating temperature	-10 ... +50 °C
<b>Construction features</b>	
Fixing	DIN Rail 46277 (EN 50022)
Dimensions	2 modules
Weight	163 g
Degree of protection	IP 20 Terminals, IP 41 back panel
<b>Standards</b>	
IEC 60947-2, IEC 60755, IEC 62020, IEC 61008	

WG Series

**RGE / RGE-R**

Electronic earth leakage relay with external transformer of the WG Series

Dimensions

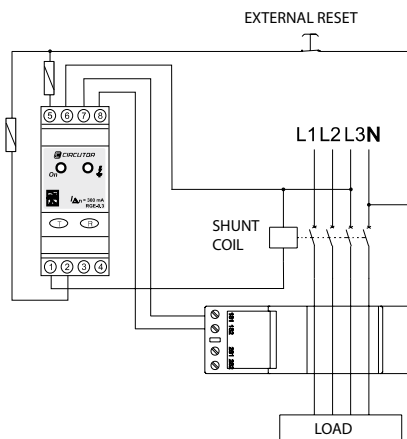


References

Size	Fixing	$I_n$ (A)	Delay	Type	Code
2 modules	DIN rail	0,03	0.02 s	RGE-0.03	P12201
2 modules	DIN rail	0,3	0.02 s	RGE-0.3	P12211
2 modules	DIN rail	0,03 ... 3	0.02 ... 1 s	RGE-R1	P12231
2 modules	DIN rail	0,03 ... 5	0.02 ... 5 s	RGE-R	P12232

Connections

Shunt coil tripping



Undervoltage coil tripping

