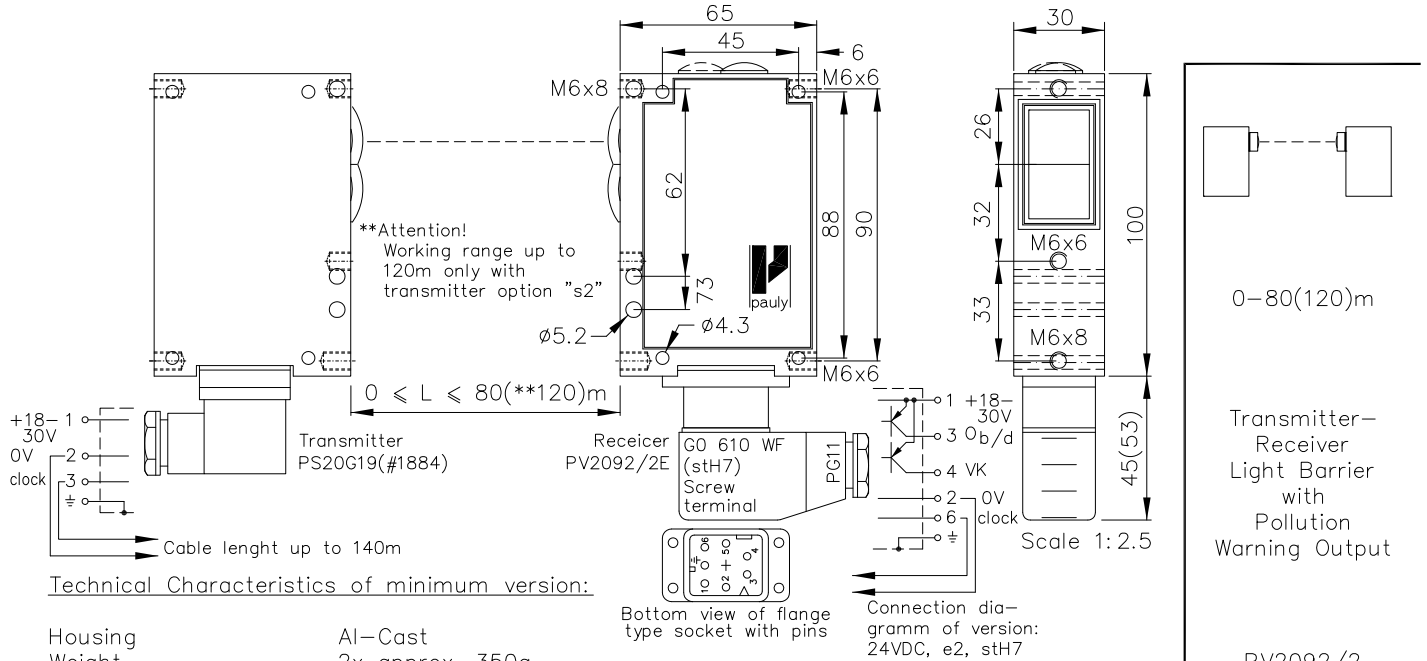


Transmitter-Receiver Light Barrier Type PV2092/2 with Pollution Warning Output



Technical Characteristics of minimum version:

Housing	Al-Cast
Weight	2x approx. 350g
Protection mode	IP65
Connection	Receiver: 6+1 pin plug stH7 Transmitter: 3+1 pin plug stH4
Supply	Receiver: 24VDC/30mA without load Transmitter: 24VDC/50mA
Output	pnp 60mA s.-c.-prot., e2
Signal mode	bright/dark, selectable (only AK)
Transmitter light	LED 880nm, invisible
Steady light resistance	>80kLx
Interference suppression	Forced synchronisation
Light beam diameter	approx. 2500mm/20m
Access time	<12ms/switch transition
Switching rate	40/s
Switch indicator	LEDs, receiver
Working indicator	LED, transmitter
Ambient temperature	-30...+80°C (100°C*)

Accessories:

- Diaphragms
- Optical filters
- Adjustment flange JF19H(1)
- Elbow tube adjustment JR19(2&3)
- Cooling water flange KW19
- Anti heat shield & anti dust tube (K)JT19

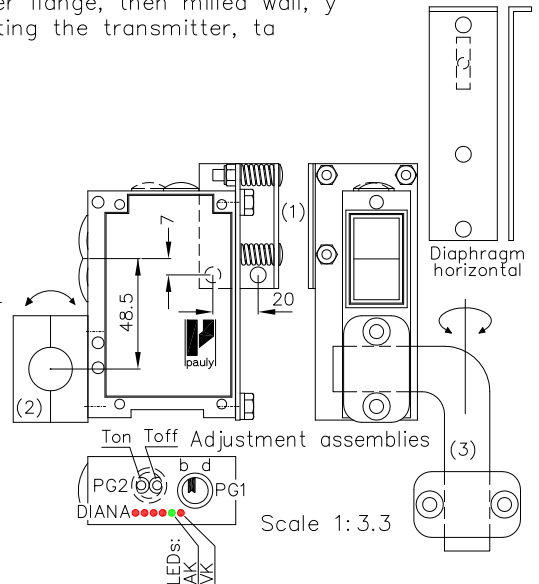
Hints: Selection of bright/dark switching mode is standard. The selection switch can be reached after removing the blanking screw designated 'PG1'. Bright switching means that the output of the main contact element is operated when the transmitter light is received by the receiver. The switch indicator (AK, green LED) lights when the light path is free.

The on- (Ton) and off- (Toff) delay are optional. Turning the controls behind 'PG2' clockwise increases delay times. The delay time range is between approx. 0 and 10 secs. Other delays are available on request.

The level indicator 'DIANA' (Digital ANALog indicator) is optional, too. DIANA shows the level approx. 20 to 25 times above the threshold signal. For proper operation of the light barrier it is not necessary to have all DIANA LEDs on!

Connecting the optional available test input to 24V will switch on, nc or 0V will interrupt the transmitter.

The switching equipment for the Pollution Warning (VK, red LED) is switched through when dirt or clogging causes the signal level to be under five times the minimum level.



1721 DE (17.02.05 m.j)
E_1721_1 (24.06.96 tb)
(07.01.03 qs)