

Before returning this product call

1-800-4-DEWALT

IF YOU SHOULD EXPERIENCE A PROBLEM WITH YOUR DEWALT PURCHASE,

CALL 1-800-4 DEWALT.

IN MOST CASES, A DEWALT REPRESENTATIVE CAN RESOLVE
YOUR PROBLEM OVER THE PHONE.

IF YOU HAVE A SUGGESTION OR COMMENT, GIVE US A CALL.
YOUR FEEDBACK IS VITAL TO THE SUCCESS OF DEWALT'S
QUALITY IMPROVEMENT PROGRAM.

Questions? See us in the World Wide Web at www.dewalt.com

**INSTRUCTION MANUAL
GUIDE D'UTILISATION
MANUAL DE INSTRUCCIONES**

INSTRUCTIVO DE OPERACIÓN, CENTROS DE SERVICIO Y PÓLIZA
DE GARANTÍA. **ADVERTENCIA:** LÉASE ESTE INSTRUCTIVO ANTES
DE USAR EL PRODUCTO.

DEWALT®

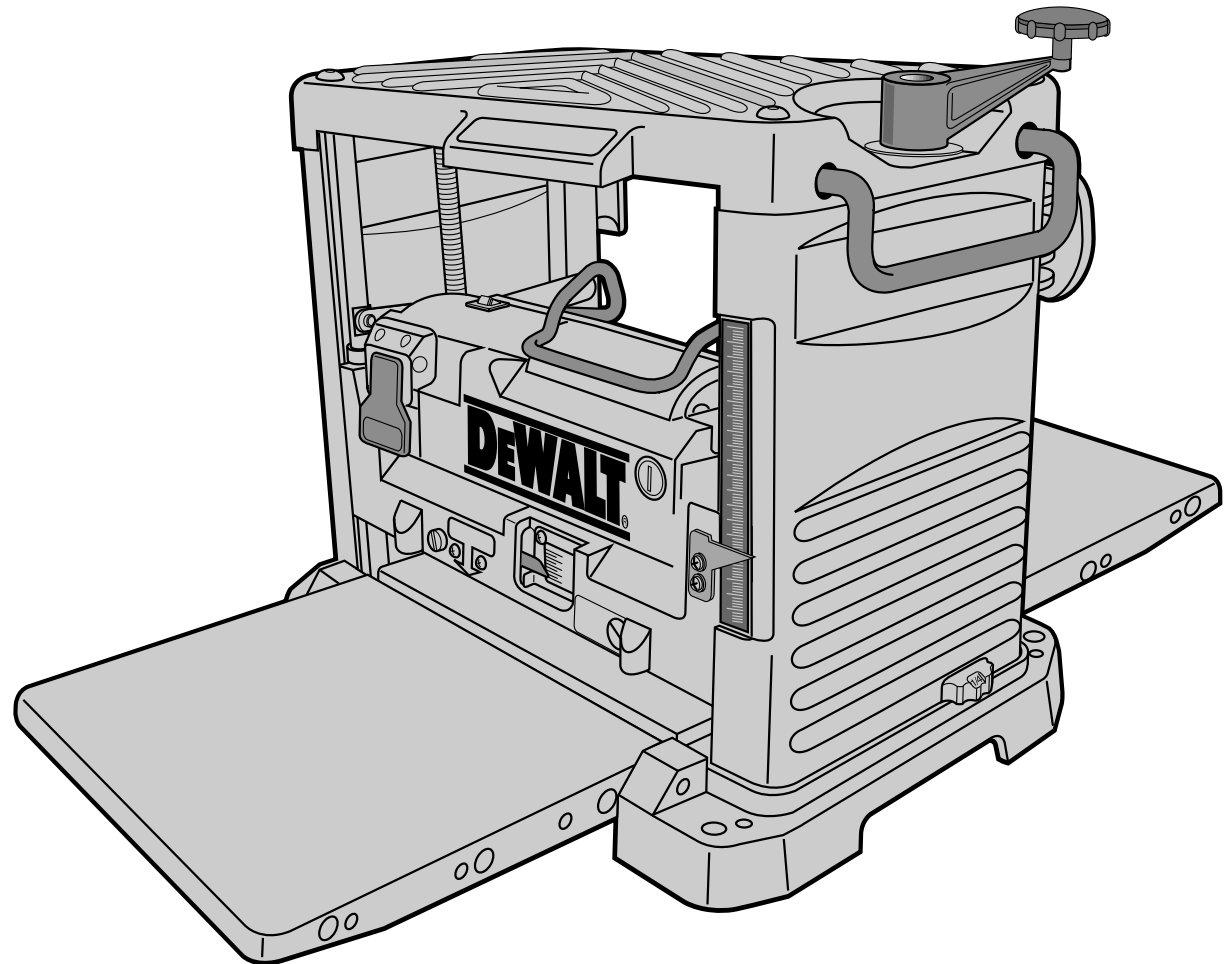
DW733

12-1/2" (318 mm) Heavy Duty Portable Thickness Planer

Dégauchisseuse portative de service intensif de 318 mm (12 1/2 po)

Cepillo portátil de 318 mm (12-1/2") para trabajo pesado

IF YOU HAVE ANY QUESTIONS OR COMMENTS ABOUT THIS OR ANY D_EWALT TOOL,
CALL US TOLL FREE AT:
1-800-4-D_EWALT (1-800-433-9258)



D_EWALT... BUILT JOBSITE TOUGH

D_EWALT high performance industrial tools are made for America's toughest industrial and construction applications. The design of every tool in the line – from drills to sanders to grinders – is the result of rigorous use on jobsites and throughout industry. Each tool is produced with painstaking precision using advanced manufacturing systems and intense quality control. Every tool is checked before it leaves the factory to make sure that it meets your standards for durability, reliability and power.

D_EWALT Built Jobsite Tough...WE GUARANTEE IT.

Important Safety Instructions (For all tools)

⚠ **WARNING:** When using electric tools, basic safety precautions should always be followed to reduce risk of fire, electric shock, and personal injury, including the following:

⚠ **WARNING: FOR YOUR OWN SAFETY READ INSTRUCTION MANUAL BEFORE OPERATING TOOL.**

Grounding Instructions

In the event of a malfunction or breakdown, grounding provides a path of least resistance for electric current to reduce the risk of electric shock. This tool is equipped with an electric cord having an equipment-grounding conductor and grounding plug. The plug must be plugged into a machine outlet that is properly installed and grounded in accordance with all local codes and ordinances. Do not modify plug provided—if it will not fit the outlet, have the proper outlet installed by a qualified electrician.

Improper connection of the equipment-grounding conductor can result in a risk of electric shock. The conductor with insulation having an outer surface that is green with or without yellow stripes is the equipment-grounding conductor. If repair or replacement of the electric cord or plug is necessary, do not connect the equipment-grounding conductor to a live terminal.

Check with a qualified electrician or service personnel if the grounding instructions are not completely understood, or if in doubt as to whether the tool is properly grounded.

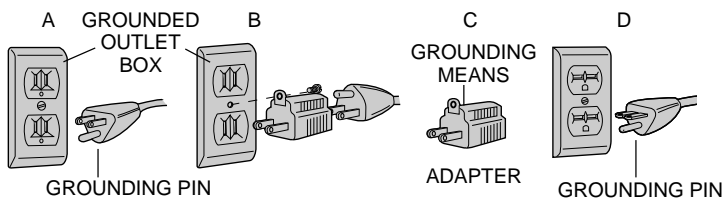
Use only 3-wire extension cords that have 3-prong grounding plugs and 3-pole receptacles that accept the tool's plug.

Repair or replace damaged or worn cords immediately.

Grounded, cord-connected tools intended for use on a supply circuit having a nominal rating less than 150 volts: This tool is intended for use on a circuit that has an outlet that looks like the one illustrated in Figure A. The tool has a grounding plug that looks like the plug illustrated in Figure A. A temporary adapter, which looks the adapter illustrated in Figures B and C, may be used to connect this plug to a 2-pole receptacle as shown in Figure B if a properly grounded outlet is not available. The temporary adapter should be used only until a properly grounded outlet can be installed by a qualified electrician. The green-colored rigid ear, lug, and the like, extending from the adapter must be connected to a permanent ground such as a properly grounded outlet box.

Grounded, cord-connected tools intended for use on a supply circuit having a nominal rating between 150–200 volts, inclusive: This tool is intended for use on a circuit that has an outlet that looks like the one illustrated in Figure D. The tool has a grounding plug that looks like the plug illustrated in Figure D. Make sure the tool is connected to an outlet having the same configuration as the plug. No adapter is available or should be used with this tool. If the tool must be reconnected for use on a different type of electric circuit, the reconnection should be made by qualified service personnel; and after reconnection, the tool should comply with all local codes and ordinances.

Permanently connected tools: This tool should be connected to a grounding metal permanent wiring system; or to a system having an equipment-grounding conductor.



Important Safety Instructions

- **KEEP GUARDS IN PLACE** and in working order.
- **REMOVE ADJUSTING KEYS AND WRENCHES.** Form habit of checking to see that keys and adjusting wrenches are removed from tool before turning it on.
- **KEEP WORK AREA CLEAN.** Cluttered areas and benched invite injuries.
- **DON'T USE IN DANGEROUS ENVIRONMENT.** Don't use power tools in damp or wet locations, or expose them to rain. Keep work area well lighted.
- **KEEP CHILDREN AWAY.** All visitors should be kept safe distance from work area.
- **MAKE WORKSHOP KID PROOF** with padlocks, master switches, or by removing starter keys.
- **DON'T FORCE TOOL.** It will do the job better and safer at the rate for which it was designed.
- **USE RIGHT TOOL.** Don't force tool or attachment to do a job for which it was not designed.
- **USE PROPER EXTENSION CORD.** Make sure your extension cord is in good condition. When using an extension cord, be sure to use one heavy enough to carry the current your product will draw. An undersized cord will cause a drop in line voltage resulting in loss of power and overheating. The following table shows the correct size to use depending on cord length and nameplate ampere rating. If in doubt, use the next heavier gage. The smaller the gage number, the heavier the cord.

Volts	Minimum Gage for Cord Sets				
	Total Length of Cord in Feet				
120V	0-25	26-50	51-100	101-150	
240V	0-50	51-100	101-200	201-300	
Ampere Rating					
More Than		Not more Than American Wire Gage			
0	-	6	18	16	14
6	-	10	18	16	12
10	-	12	16	14	12
12	-	16	14	12	Not Recommended

- **WEAR PROPER APPAREL.** Do not wear loose clothing, gloves, neckties, rings, bracelets, or other jewelry which may get caught in moving parts. Non-slip footwear is recommended. Wear protective hair covering to contain long hair.
- **ALWAYS USE SAFETY GLASSES.** Also use face or dust mask if cutting operation is dusty. Everyday eyeglasses only have impact resistant lenses, they are not safety glasses.
- **DON'T OVERREACH.** Keep proper footing and balance at all times.
- **MAINTAIN TOOLS WITH CARE.** Keep tools sharp and clean for best and safest performance. Follow instructions for lubricating and changing accessories.
- **DISCONNECT TOOLS** before servicing; when changing accessories, such as blades, bits, cutters, and the like.
- **REDUCE THE RISK OF UNINTENTIONAL STARTING.** Make sure switch is in off position before plugging in.
- **USE RECOMMENDED ACCESSORIES.** Consult the instruction manual for recommended accessories. The use of improper accessories may cause risk of injury to persons.
- **NEVER STAND ON TOOL.** Serious injury could occur if the tool is tipped or if the cutting tool is unintentionally contacted.
- **CHECK DAMAGED PARTS.** Before further use of the tool, a guard or other part that is damaged should be carefully checked to determine that it will operate properly and perform its intended function—check for alignment of moving parts, binding of moving parts, breakage of parts, mounting, and any other conditions that may affect its operation. A guard or other part that is damaged should be properly repaired or replaced.
- **DIRECTION OF FEED.** Feed work into planer according to direction of feed arrows on top of the unit.
- **NEVER LEAVE TOOL RUNNING UN ATTENDED. TURN POWER OFF.** Don't leave tool

until it comes to a complete stop.

Additional Safety Rules for Planers

- To reduce the risk of injury, user must read and understand instruction manual before operating planer.
- Always wear eye protection and dust mask if necessary.
- Keep hands 6" away from motor carriage when feeding work piece.
- Never make cutter knife replacement or any other repairs/adjustments with unit plugged in.
- Make certain that the switch is in the off position before connecting plug to a power source.
- Be sure that the cutter knives are mounted as described in the instruction manual and check that all bolts are firmly tightened before connecting unit to power source.
- To avoid injury, never rotate the cutter block directly with your hands.
- Keep guards in place and in good working order.
- Stay alert - never operate the unit when tired or under the influence of drugs, alcohol, or medication.
- Do not use in dangerous environments. Do not use near flammable substances, in damp or wet locations, or expose to rain.
- Never plane material which is shorter than 12 inches.
- Do not wear gloves, neckties, jewelry, or loose clothing.
- Some wood contains preservatives such as copper chromium arsenate (cca) which can be toxic. When planing these materials extra care should be taken to avoid inhalation and minimize skin contact.
- Exhaust chute: remove shavings with brush or vacuum after power has been shut off and cutter head has stopped rotating.
- ALWAYS LOCATE PLANER WITH PROPER CLEARANCE ON THE OUTFEED SIDE of the unit to prevent pinching or binding of the workpiece or any other obstacle.

⚠ WARNING: Some dust created by power sanding, sawing, grinding, drilling, and other construction activities contains chemicals known to cause cancer, birth defects or other reproductive harm. Some examples of these chemicals are:

- lead from lead-based paints,
- crystalline silica from bricks and cement and other masonry products, and
- arsenic and chromium from chemically-treated lumber (CCA).

Your risk from these exposures varies, depending on how often you do this type of work. To reduce your exposure to these chemicals: work in a well ventilated area, and work with approved safety equipment, such as those dust masks that are specially designed to filter out microscopic particles.

SAVE THESE INSTRUCTIONS

Specifications

Input120V AC, 15 Amp
No-load speed10,000 RPM
Feed speed26 ft. per minute
Planing heightMaximum 6", Minimum 1/8"
Planing widthMaximum 12-1/2"
Planing depthMaximum 1/8" (for boards 5 1/2" wide or less)

Electrical Connection

Be sure your power supply agrees with the nameplate marking. AC ONLY means that your planer will operate on alternating current only. A voltage decrease of 10 percent or more will cause a loss of power and overheating. All DeWALT tools are factory tested. If this tool does not operate, check the power supply.

Familiarization

Except for the depth adjustment handle, our planer is fully assembled in the carton. See Figure 1.

Unpacking Your Planer

Check the contents of your planer carton to make sure that you have received all parts. In addition to this instruction manual, the carton should contain:

- 1 allen wrench
- 1 L-shaped bolt wrench
- 1 open-ended wrench (10mm/8mm)
- 2 magnetic knife gauges
- 1 Depth adjustment handle
- 1 Allen screw

These tools are located in the tray on the back side of your planer, as shown in Figure 2.

Attaching Depth Adjustment Handle

Using the allen screw provided, attach the depth adjustment handle as shown in figure 9.

Bench Mounting

Holes are provided on the four corners of your planer to facilitate bench mounting, as shown in Figure 3. (Two different sized holes are provided. If mounting the planer with bolts, use the larger holes. If mounting the planer with nails or screws, use the smaller holes. Use either size hole; it is not necessary to use both.) Always mount your planer firmly to prevent movement. To enhance the tool's portability, it can be mounted to a piece of 1/2" (12.7mm) or thicker plywood which can then be clamped to your work

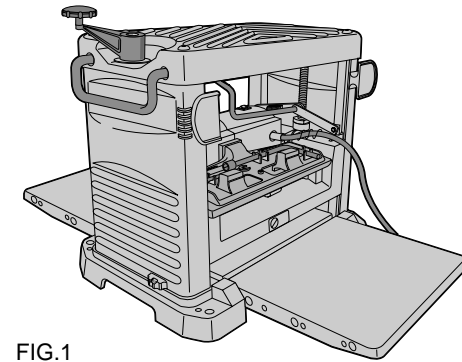


FIG.1

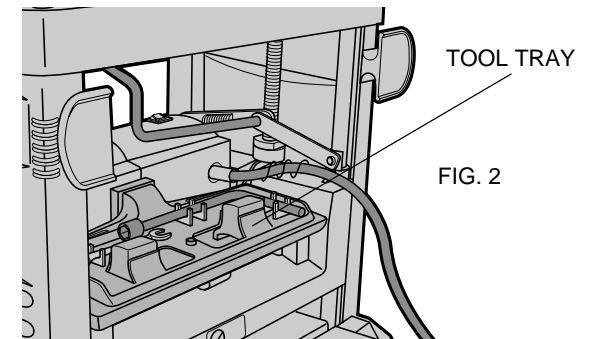
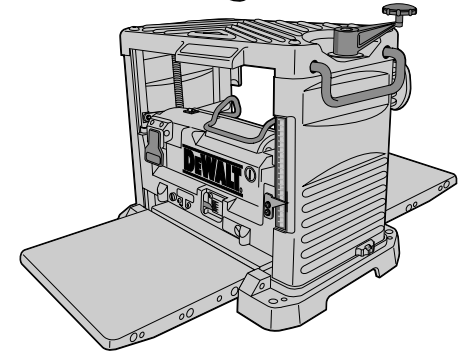


FIG. 2

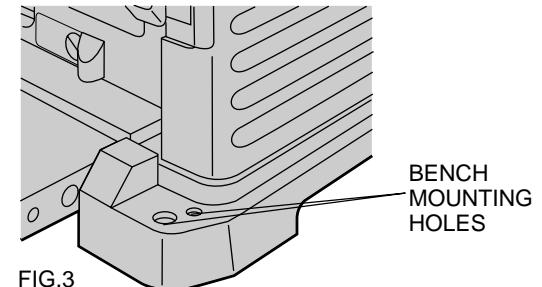
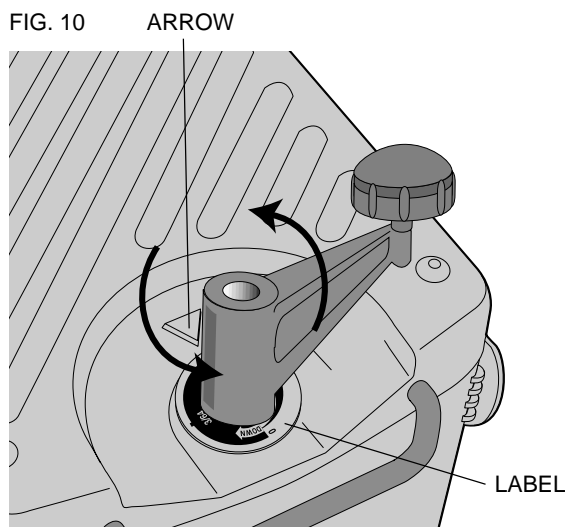
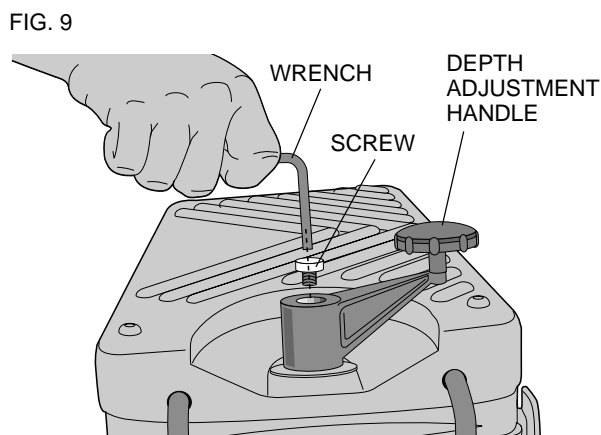
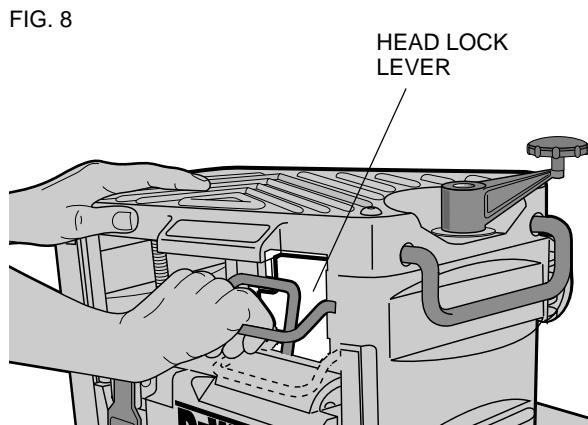
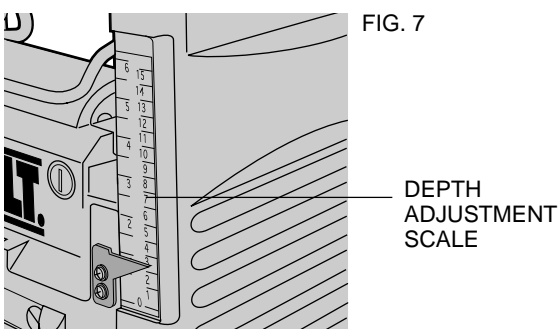
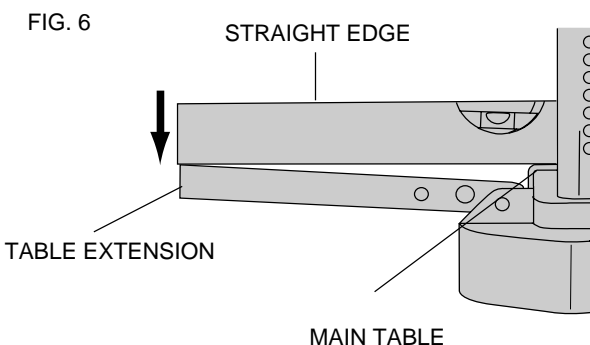
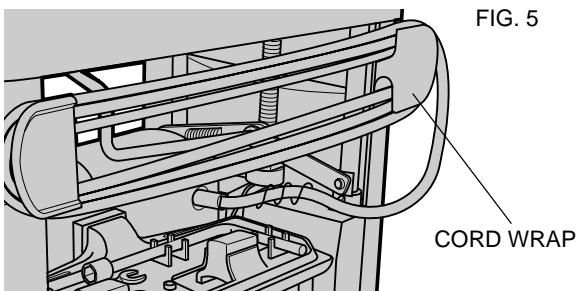
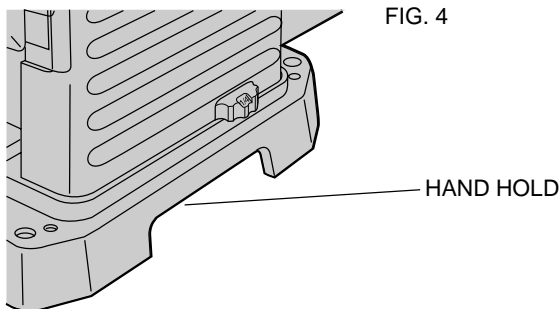


FIG.3



support or moved to other job sites and reclamped.

NOTE: If you elect to mount your planer to a piece of plywood, make sure that the mounting screws don't protrude from the bottom of the wood. The plywood must sit flush on the work support.

CAUTION: Be sure the mounting surface is not warped or otherwise uneven.

Transporting the Planer

When moving your planer, carry it either by the side carrying handles or by the hand indentation at the base of the planer. (Figure 4). When transporting or storing the planer, use the cord wrap located in the back of the tool (Figure 5) to keep the cord in-place.

Operating Controls

Table Extensions

Before using your planer, fold down the table extensions in the front and back of the tool. The back edge of each table extension is adjusted to be level with main table (Figure 6). After extended use, the table extensions might become slightly out of level. See the Adjustments section of this manual for levelling directions.

Depth Adjustment

DEPTH ADJUSTMENT SCALE

The depth adjustment scale, located on the right front of your planer, indicates the finished thickness of your workpiece (Figure 7).

DEPTH ADJUSTMENT HANDLE

To set the finished thickness, first unlock the head lock lever (Figure 8). This allows the cutting head to be easily adjusted. Re-lock the head lock lever before planing for best results.

Turning the handle clockwise lowers the cutting head, while turning counter-clockwise raises the cutting head. One full rotation of the handle moves the cutter head 1/16".

FINE ADJUSTMENTS

The depth adjustment handle also allows for fine adjustments, from 1/64" to 1/16".

Fine adjustments are ideal for "shaving" small amounts from planed material. For example, if your planed workpiece measures 3 1/16" thick, but should be 3" thick, adjust your planer to remove the excess 1/16":

- Plane and measure your workpiece. In this example, the finished thickness is 3 1/16".
- Turn the circular label on the depth adjustment handle until the "0" mark aligns with the arrow on the top of the tool (Figure 10). Do not make any other adjustments to the planer.
- Turn the depth adjustment handle clockwise until the 1/16" mark aligns with the arrow.
- Plane your workpiece. The final thickness should be 3".

MATERIAL REMOVAL SCALE

Your planer is equipped with a material removal scale, which indicates the amount of wood being removed in a planing operation. (Fig. 11) Ensure the workpiece is under the material removal gauge label on the front of the tool. The material removal gauge readout is to the right of this label.

TURRET STOP

Your planer is equipped with a turret stop (Fig. 12) for repetitive planing of pre-set depths. Stops are set at 0", 1/4", 1/2" and 3/4". Use the 0" setting when planing between 1/8" and 1/4". To set a planing depth using the turret stop:

- Turn the turret stop until the desired measurement shows (Figure 12).
- Unlock the headlock lever, and turn the depth adjustment lever clockwise until it contacts the turret stop. Do not turn the handle past its stopping point.
- Plane the workpiece and measure the finished thickness. Make fine adjustments if necessary.

The 3/4" turret stop can be adjusted for other planing thicknesses. Adjusting the 3/4" turret stop does not affect the other turret stop settings. To adjust the 3/4" stop for other thicknesses:

- Unlock the head lock lever (Fig. 8) and turn the adjustment handle counter-clockwise to raise the cutting head (Fig. 9) fully.
- From the back of the tool, locate the turret adjustment bolt shown in Fig. 12. This bolt is set for a 3/4" depth of cut at the factory. Loosen the jam nut and adjust the bolt up or down to reach the desired planing depth.
- Turn the depth adjustment lever clockwise until it contacts the turret stop. Do not turn the handle past its stopping point.
- Plane your workpiece and measure its finished thickness. Make additional adjustments, if necessary, following the steps above.

NOTE: For best results, make several passes, planing both sides of the workpiece. See "Proper Planing Technique" below.

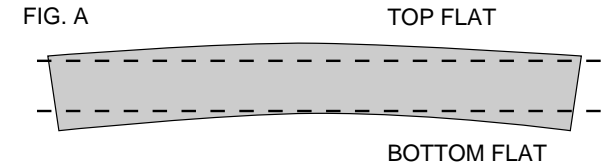
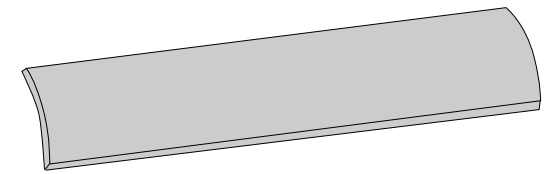
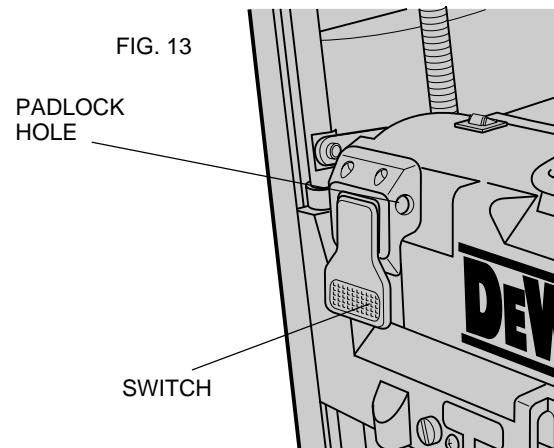
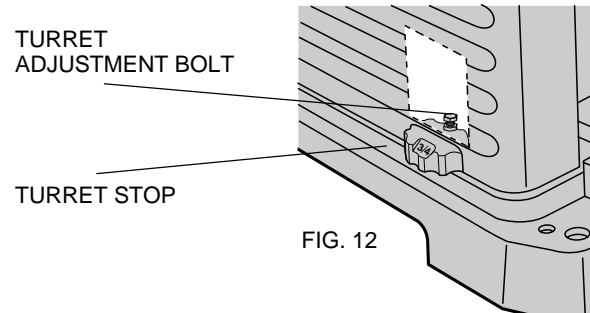
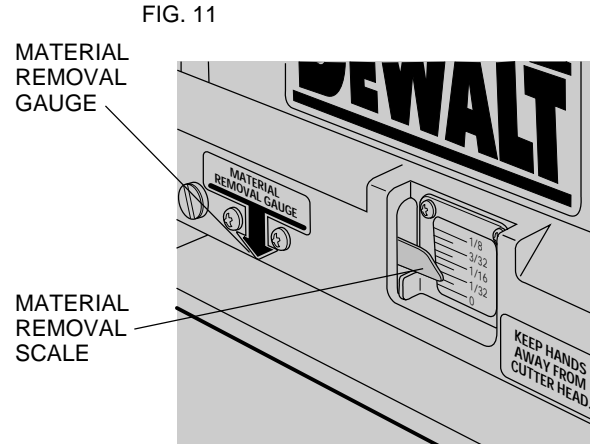
On/Off Switch

To turn the planer on, flip up the switch, as shown in Figure 13. The planer locks on automatically. To turn the tool off, press the switch down. A hole is provided in the switch for insertion of a padlock to lock off the planer (Figure 13).

Proper Planing Technique

⚠ WARNING: Plane only wood that is free from foreign objects, with no loose knots and as few tight knots as possible. Do not plane wood that is severely warped, twisted, knotted or bowed.

Your planer works best on lumber with at least one flat surface. If both sides of your workpiece are rough, use a jointer to level one surface.



BOWED WOOD WILL BE FLATTENED BY FEED ROLLERS AND CUTTERHEAD...

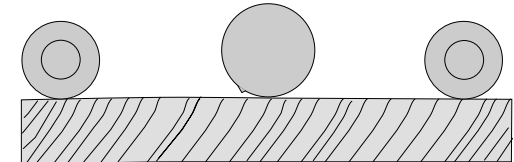


FIG. B ...BUT BOW WILL RETURN AFTER WOOD IS PLANED

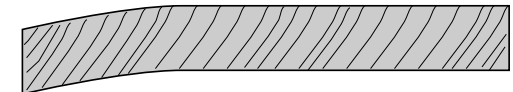
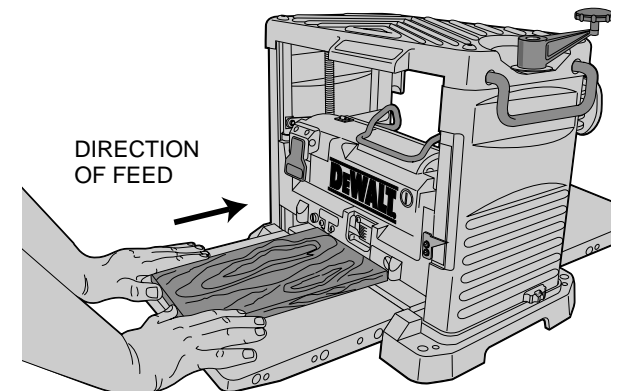


FIG. 14



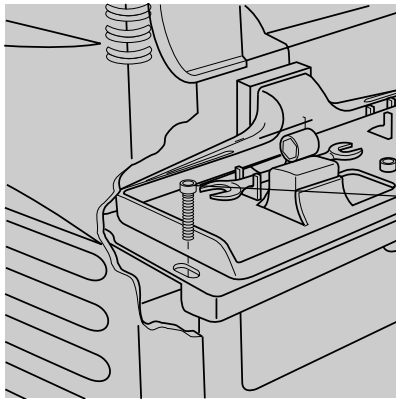


FIG. 15

ALLEN
SCREW

CUTTERHEAD LOCK LEVER

FIG. 18

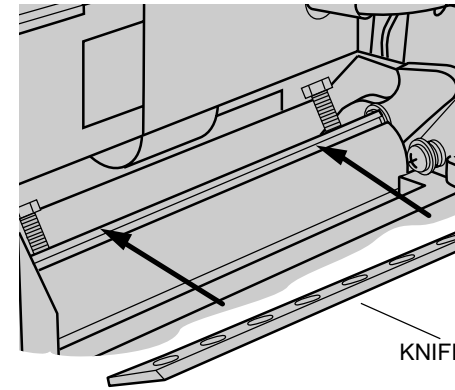
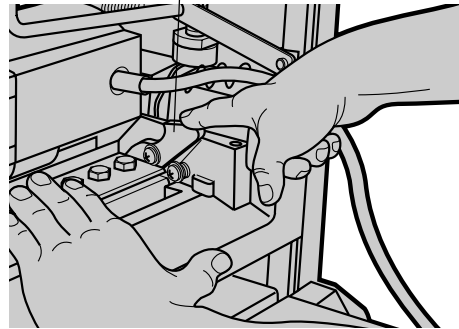


FIG. 20

KNIFE

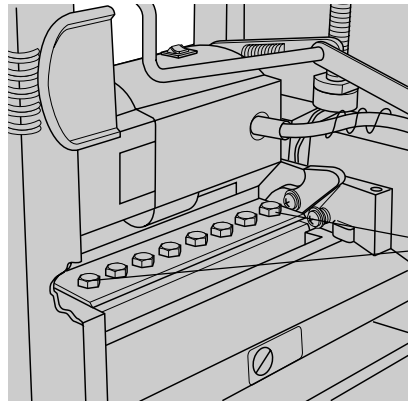


FIG. 16

BOLTS

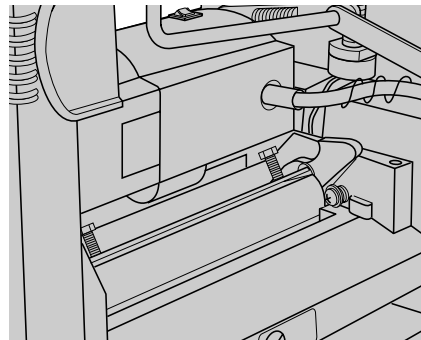


FIG. 19

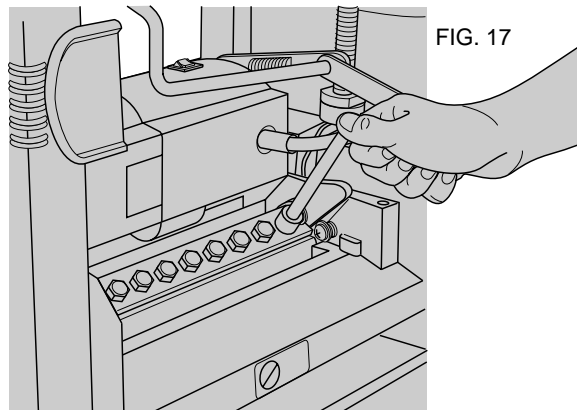


FIG. 17

For best results, plane both sides of the workpiece to reach a desired thickness. For example, if you need to remove 1/8" from your workpiece, remove 1/16" from each side. This not only allows the workpiece to dry with a even moisture content, it also produces finer cuts.

NOTE: Planing material less than 3/4" wide is not recommended. If you must plane narrow material, gang up the pieces and plane them as one wider workpiece, if possible.

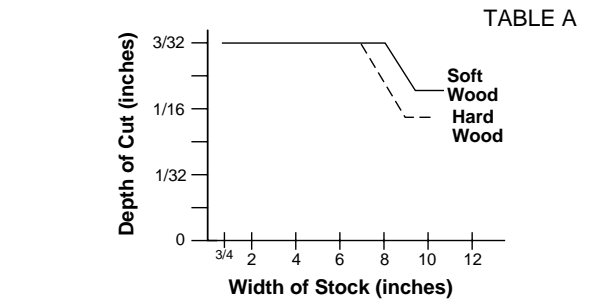
Support the work piece adequately at all times. The maximum depth of cut your planer can take is 1/8." Never attempt to modify your planer to take a deeper cut. Follow the depth of cut and width guidelines shown in Table A for best results.

SNIFE

Snipe is a depression made when the ends of the workpiece contact the cutterhead knives. Snipe occurs when the unsupported weight of the workpiece causes it to lift off the table, into the cutterhead.

To avoid snipe:

- Keep workpiece level throughout the planing operation
- Ensure that the table extensions are level with the main table (See: Levelling the Table Extensions)



- Feed work flat against the planer tables

WARPING

Warped wood can not only jam the planer, it can produce variations in the final thickness of the workpiece. If your planer becomes jammed, turn off the switch and disconnect the planer from the power supply.

If your workpiece is not warped or only slightly warped, plane both sides of the board to produce the desired thickness. Always feed the workpiece in the direction of the grain.

Cupped wood is similar to the piece is shown in Figure A. Bowed wood is shown in Figure B.

TO PLANE CUPPED WOOD:

- For best results, rip the workpiece down the middle, and plane the pieces separately. This eliminates waste. If this is not possible, follow the steps below.
- Plane the top flat first (see Figure A)
- Turn the board over and plane the bottom flat

Bowed wood can be planed with little effect on on finished thickness. The feed rollers and cutterhead in your planer will temporarily flatten the bowed workpiece. However, bowed wood will return to its shaped once planed. To

remove the bow, use a jointer.

Planing

After making all adjustments, turn the tool on and wait until the knives reach full speed. The workpiece should not be in contact with the feed rollers or the cutterhead when the tool is switched on.

Feed wood into the planer as shown in Figure 14. Do not force wood into the cutterhead. Let the feed rollers determine how fast the wood is planed.

Adjustments

Changing Knives

REMOVING KNIVES

Your planer is equipped with two knives attached to a rotating cutterhead. To remove the knives:

- 1) Turn off and unplug planer. Lift the headlock lever to the up, or unlocked position.
- 2) Adjust the depth of cut until the scale reads about 3". This will ensure ample room to change the knives.
- 3) Remove the two allen screws near the tool tray, shown in Figure 15. Carefully lift off the dust chute. **CAUTION:** Removing the dust chute leaves the knives exposed.
- 4) If the eight bolts shown in Figure 16 are not visible, carefully rotate the cutterhead using a small piece of scrap wood. Keep your fingers away from the cutterhead until the eight bolts are visible.
- 5) When the eight bolts shown in Figure 16 are positioned as shown, ensure the cutterhead lock lever is in its locked position and the cutterhead is stable. The knives will also lock, preventing any further rotation.
- 6) Using the supplied L-shaped wrench, loosen, but do not remove the two end bolts shown in Figure 17.
- 7) Carefully remove the middle six bolts. **WARNING:** The knife is spring loaded, and may move toward you when the six bolts are removed.
- 8) Press the cutterhead lock lever (Figure 18) down toward the knife and gently roll the cutterhead backward until the knife can be removed.
- 9) Press the cutterhead lock lever (Figure 18) down and roll the cutterhead until the other knife assembly is visible. Remove this knife following the steps above.

REPLACING KNIVES

- 1) Position the cutterhead as shown in Figure 19.
- 2) Carefully slide the new knife on to the cutterhead, as shown in Figure 20.
- 3) Place the two magnetic knife gauges (located in the tool tray) onto the cutterhead as shown in Figure 21. Ensure the flat edge of the knife gauge is in contact with the flat edge of the cutterhead (Figure 21A). This positions the knife properly on the cutterhead.
- 4) Firmly tighten the the two end bolts, using the open-ended wrench provided, as shown in Figure 22.

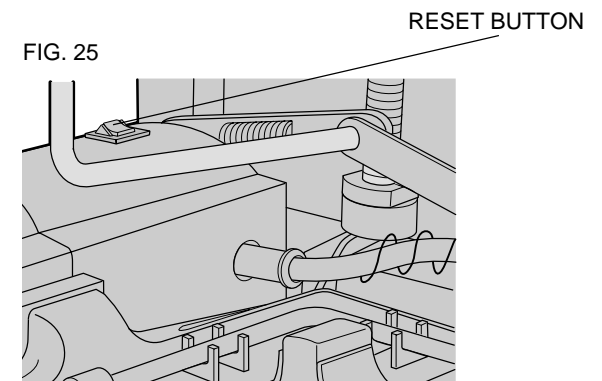
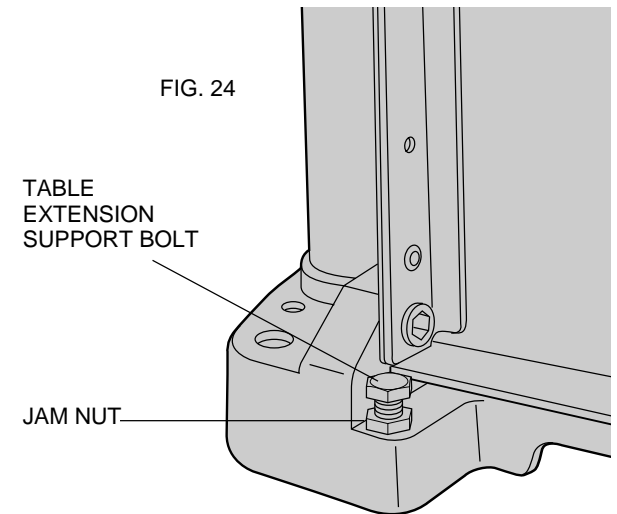
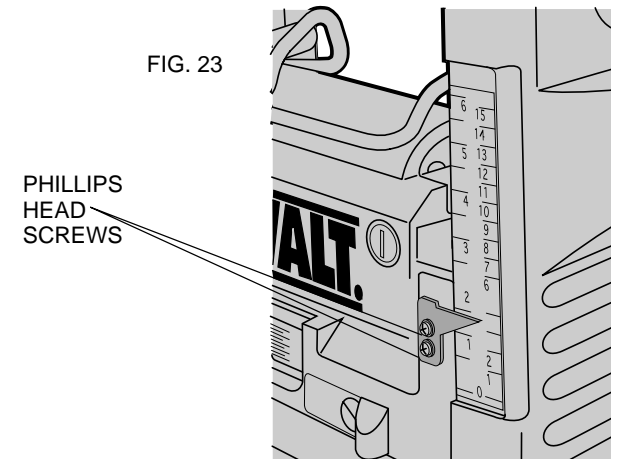
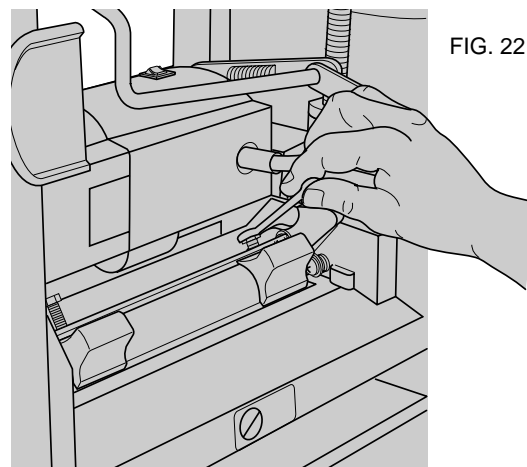
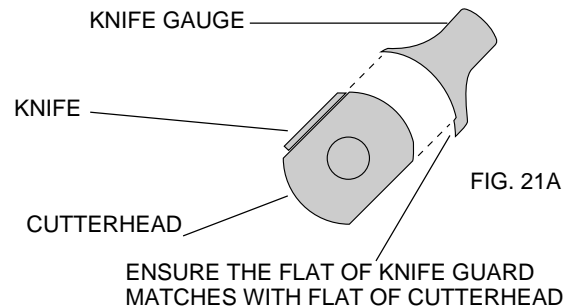
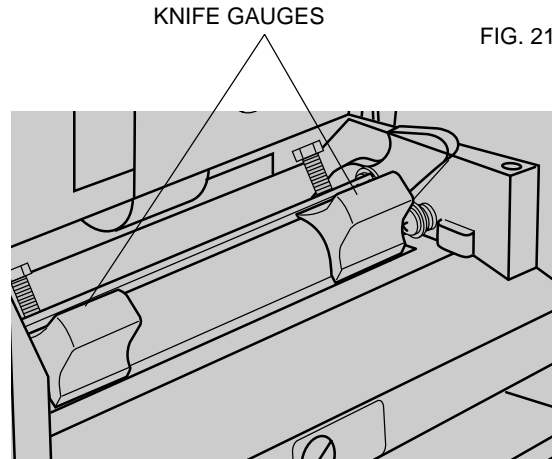


FIG. 26

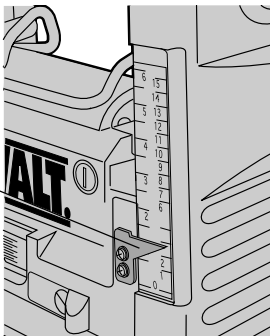
BRUSH
INSPECTION CAP

FIG. 27

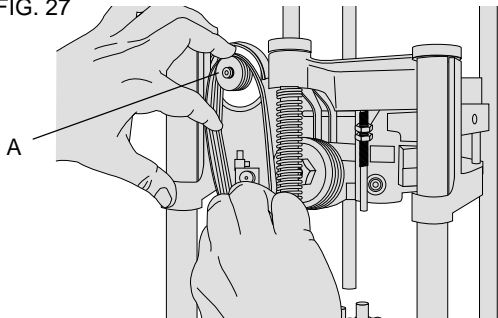


FIG. 28

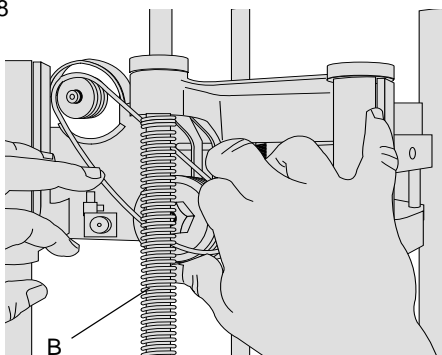
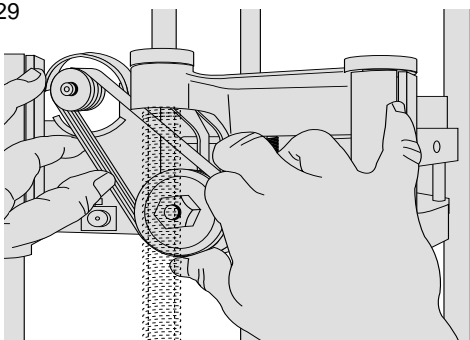


FIG. 29



- 5) Remove the knife gauges and rotate the cutterhead back to the position shown in Figure 18. Replace and retighten the six middle bolts. Bolts should be tightened to a torque of 50 in. lbs. (5.7 N-m).
- 6) Press the cutterhead lock lever (Figure 18) down and roll the cutterhead until the other knife assembly is visible. Replace this knife following the steps above.

SHARPENING KNIVES

Your planer knives have 1/8" of extra material to allow for reshaping. Ensure the knives are resharpened at the same angle (42°). DeWALT replacement blades (Cat No. DW7332) are available at extra cost from your local dealer or authorized service center.

Installing a new belt

1. TURN OFF AND UNPLUG THE PLANER.
2. Remove the two Phillips head screws from the front and back of the right side cover of the planer.
3. Lift the entire cover straight up and pull the bottom out of the slot.

NOTE: No tools are necessary to install a belt. The use of a screwdriver or other tool may cause damage to the pulleys and ultimately destroy the new belt.

4. Notice the grooves inside the belt.
5. **Figure 27** - Start the belt on the top pulley (A) as shown in Figure 1 with 3 grooves on the pulley.
6. **Figure 28** - Guide the belt between the lower pulley and the height adjustment screw (B).
7. With 3 grooves engaged on the large pulley, rotate it in a clockwise direction.
8. Keep pressure on the edge of the belt to keep the grooves engaged on the small pulley.
9. **Figure 29** - Continue to keep pressure on the side of the belt and rotate the large pulley while hopping the belt further onto the pulleys.
10. In the final position, all of the belt grooves should be engaged. The pulleys should rotate smoothly
11. Reinstall the side cover and the screws. Do not overtighten the self-tapping screws.

Calibrating the Depth Adjustment Scale

The depth adjustment scale on your planer is set at the factory. However, with extended use, the depth adjustment scale could show an incorrect measurement.

To check the depth adjustment scale, plane a piece of wood, noting the measurement on the depth adjustment scale.

Measure the finished thickness of the workpiece. If the thickness of the workpiece does not match the reading on the depth adjustment scale, loosen the two Phillips head screws shown in Figure 23. Adjust the pointer up or down

until its reading matches the finished thickness of the workpiece. Securely re-tighten the screws.

Levelling the Table Extensions

After extended use, the table extensions might become slightly out of level. To ensure that the tables are level, place a straight edge on the table extension. The straight edge should contact the edge of the table extension and the main table (Figure 6). When levelling, press the edge of the table extensions down to remove any play. For best results, use a level long enough to contact the edges of both table extensions.

If the table extensions are not level, loosen the jam nuts and adjust the table extension support bolts up or down (Figure 24).

Reset Button

Your planer is equipped with an 18 amp circuit breaker. If your planer becomes overloaded and stops operating, turn off the planer and press in the reset button (Figure 25).

Maintenance

BRUSHES

Inspect carbon brushes regularly by unplugging tool, removing the brush inspection cap (Figure 26) and withdrawing the brush assembly. Keep brushes clean and sliding freely in their guides. Always replace a used brush in the same orientation in the holder as it was prior to its removal. Carbon brushes have varying symbols stamped into their sides, and if the brush is worn down to the line closest to the spring, they must be replaced. Use only identical DeWALT brushes.

New brush assemblies are available at DeWALT service centers. The tool should be allowed to "run in" (run at no load) for 10 minutes before use to seat new brushes.

TABLE

Keep the table clean and free from oil, grease and pitch. Treat the table with paste wax to help maintain its smooth finish.

Accessories

Recommended accessories for use with your tool are available at extra cost from your distributor or local service center.

⚠ **CAUTION:** The use of any non-recommended accessory may be hazardous.

Important

To assure product SAFETY and RELIABILITY, repairs, maintenance and adjustment (including brush inspection and replacement) should be performed by authorized service centers or other qualified service organizations, always using identical replacement parts.

Full Warranty

D_EWALT heavy duty industrial tools are warranted for one year from date of purchase. We will repair, without charge, any defects due to faulty materials or workmanship. For warranty repair information, call 1-800-4-D_EWALT. This warranty does not apply to accessories or damage caused where repairs have been made or attempted by others. This warranty gives you specific legal rights and you may have other rights which vary in certain states or provinces.

In addition to the warranty, D_EWALT tools are covered by our:

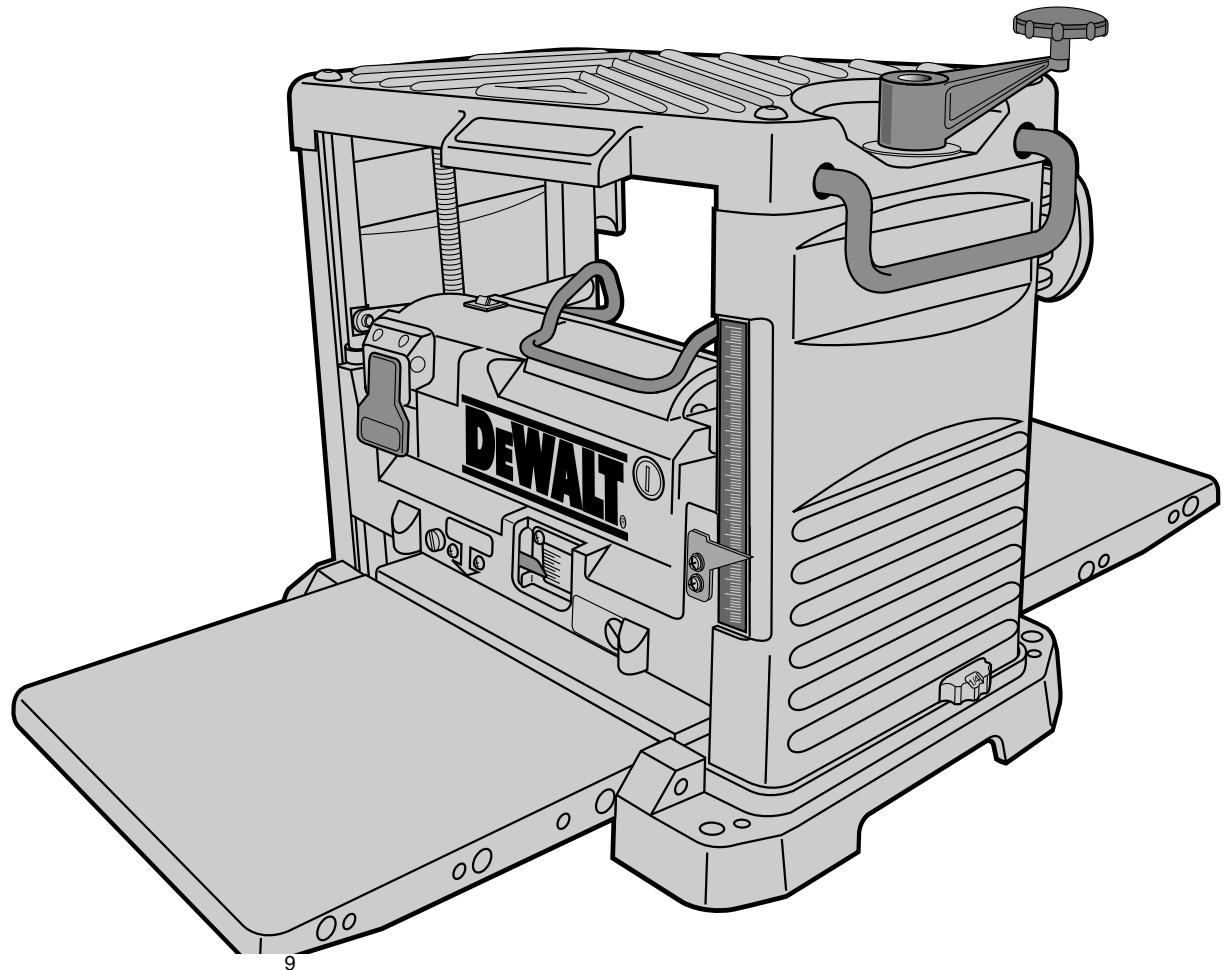
30 DAY NO RISK SATISFACTION GUARANTEE

If you are not completely satisfied with the performance of your D_EWALT heavy duty industrial tool, simply return it to the participating seller within 30 days for a full refund. Please return the complete unit, transportation prepaid. Proof of purchase may be required.

See 'Tools-Electric'
- Yellow Pages -
for Service & Sales



POUR TOUT RENSEIGNEMENT SUPPLÉMENTAIRE SUR CET OUTIL OU TOUT AUTRE
OUTIL DEWALT, COMPOSER SANS FRAIS LE NUMÉRO SUIVANT.
1 800 4-DEWALT (1 800 433-9258)



IMPORTANTES MESURES DE SÉCURITÉ (POUR TOUS LES OUTILS)

⚠ **AVERTISSEMENT** : Afin de réduire les risques d'incendie, de secousses électriques ou de blessures lorsqu'on utilise des outils électriques, il faut toujours respecter les mesures de sécurité suivantes.

⚠ **AVERTISSEMENT** : PAR MESURE DE SÉCURITÉ PERSONNELLE, LIRE LES GUIDE D'UTILISATION DE L'OUTIL AVANT DE S'EN SERVIR.

Mise à la terre

En cas de mauvais fonctionnement ou de bris de l'outil, la mise à la terre procure un chemin de moindre résistance au courant électrique afin de minimiser les risques de secousses électriques. Le cordon de l'outil comporte un conducteur de terre et une fiche de mise à la terre. La fiche doit être branchée dans une prise de machine bien installée et mise à la terre conformément aux lois et règlements locaux. Ne pas modifier la fiche fournie. Lorsque la fiche n'entre pas dans la prise, demander à un électricien qualifié d'installer une prise appropriée.

La mauvaise connexion du conducteur de terre de l'outil présente des risques de secousses électriques. Le conducteur dont l'isolant est vert ou vert avec des lignes jaunes constitue la mise à la terre. En cas de réparation ou de remplacement du cordon ou de la fiche, ne pas relier le conducteur de terre à une borne sous tension.

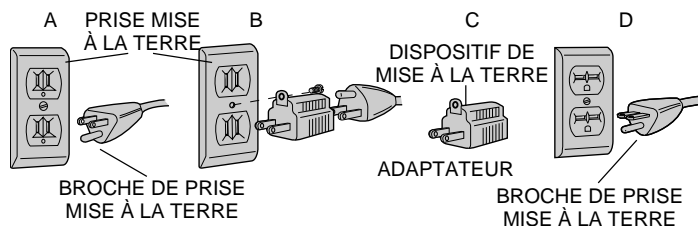
Consulter un électricien qualifié ou le personnel des centres de service en cas d'incompréhension des instructions relatives à la mise à la terre ou en cas de doute quant à la mise à la terre de l'outil.

Utiliser seulement des cordons de rallonge trifilaires dotés de fiche mise à la terre à trois broches, ainsi que des prises à 3 orifices acceptant la fiche de l'outil.

Réparer ou remplacer immédiatement les cordons endommagés ou usés.

Outils à cordon mis à la terre branchés sur une alimentation nominale de moins de 150 volts : L'outil est conçu pour être branché sur un circuit dont les prises ressemblent à celle illustrée à la figure A. L'outil comporte une fiche de terre qui ressemble à celle illustrée à la figure A. On peut se servir d'un adaptateur temporaire (comme celui des figures B et C) pour brancher la fiche dans une prise à 2 orifices (fig. B) lorsqu'il n'y a pas de prise mise à la terre. Il faut seulement se servir de l'adaptateur temporaire jusqu'à ce qu'un électricien certifié puisse installer une prise mise à la terre appropriée. Il faut alors relier l'oreille rigide, la cosse ou tout autre objet du genre de couleur verte à une mise à la terre permanente (comme à la boîte d'une prise bien mise à la terre).

Outils à cordon mis à la terre branchés sur une alimentation nominale de 150 à 200 volts, inclusivement : L'outil est conçu pour servir sur un circuit ressemblant à celui illustré à la figure D. La fiche de mise à la terre de l'outil ressemble à celle illustrée à la figure D. S'assurer que l'outil est branché dans une prise ayant la même configuration que la fiche. Il n'existe pas d'adaptateur pour ce genre d'outil et il ne faut pas en utiliser. Lorsqu'il faut modifier l'outil pour le brancher sur un circuit différent, le confier au personnel qualifié d'un centre de service. Après la modification, l'outil doit se conformer aux lois et règlements locaux.



Outils branchés en permanence : L'outil est branché à un filage de mise à la terre métallique permanent ou à un système pourvu d'un conducteur de terre.

Importantes mesures de sécurité

- **S'ASSURER QUE LES PROTECTEURS** sont en place et en bon état.
- **ENLEVER LES CLÉS DE RÉGLAGE.** Prendre l'habitude de vérifier si les clés de réglage ont été retirées avant de faire démarrer l'outil.
- **BIEN DÉGAGER LA SURFACE DE TRAVAIL.** Des surfaces et des établis encombrés peuvent être la cause de blessures.
- **TENIR COMPTE DU MILIEU DE TRAVAIL.** Protéger les outils électriques de la pluie. Ne pas s'en servir dans des endroits humides ou mouillés. Bien éclairer la surface de travail.
- **ÉLOIGNER LES ENFANTS.** Tous les visiteurs doivent être tenus à l'écart de l'aire de travail.
- **RENDRE L'ATELIER SÛR POUR LES ENFANTS** à l'aide de cadenas, de disjoncteurs, ou en retirant les clés de mise en tension.
- **NE JAMAIS FORCER L'OUTIL.** Afin d'obtenir un rendement sûr et efficace, utiliser l'outil à son rendement nominal.
- **UTILISER L'OUTIL APPROPRIÉ.** Ne jamais exiger d'un petit outil ou d'un accessoire le rendement d'un outil de fabrication plus robuste.
- **UTILISER UN CORDON DE RALLONGE APPROPRIÉ.** S'assurer que le cordon de rallonge est en bon état. Lorsqu'on se sert d'un cordon de rallonge, s'assurer qu'il est de calibre approprié pour la tension nécessaire au fonctionnement de l'outil. L'utilisation d'un cordon de calibre inférieur occasionne une baisse de tension entraînant une perte de puissance et la surchauffe. Le tableau suivant indique le calibre approprié selon la longueur du cordon et les mentions de la plaque signalétique de l'outil. En cas de doute, utiliser un cordon de calibre supérieur. Le chiffre indiquant le calibre est inversement proportionnel au calibre du cordon.

Calibre minimal des cordons de rallonge

Tension	Longueur totale de la rallonge en pieds			
120 V	0-25	26-50	51-100	101-150
240 V	0-50	51-100	101-200	201-300
Intensité nominale (A)				
Plus		Moins		
de		de		
0	-	6	18	16
6	-	10	18	16
10	-	12	16	16
12	-	16	14	12
				12
				Non recommandé

- **PORTER DES VÊTEMENTS APPROPRIÉS.** Éviter de porter des vêtements amples, des gants, des cravates, des bagues, des bracelets ou d'autres bijoux qui peuvent être happés par les pièces en mouvement. Le port des chaussures à semelle antidérapante est recommandé. Protéger la chevelure si elle est longue.
- **TOUJOURS PORTER DES LUNETTES DE SÉCURITÉ.** Porter également un masque respiratoire si le travail de coupe produit de la poussière. Des lunettes de correction de la vue standard comportent seulement des verres résistant aux chocs; ce ne sont pas des lunettes de sécurité.
- **ASSUJETTIR LA PIÈCE.** Dans la mesure du possible, immobiliser la pièce à l'aide de brides ou d'un étau. On peut alors se servir des deux mains pour faire fonctionner l'outil, ce qui est plus sûr.
- **NE PAS DÉPASSER SA PORTÉE.** Toujours demeurer dans une position stable et garder

son équilibre.

- **PRENDRE SOIN DES OUTILS.** Conserver les outils propres et affûtés pour qu'ils donnent un rendement supérieur et sûr. Suivre les directives relatives à la lubrification et au remplacement des accessoires.
- **DÉBRANCHER L'OUTIL** avant de le réparer ou d'en changer un accessoire (comme une lame, un foret ou un couteau).
- **MINIMISER LES RISQUES DE DÉMARRAGES ACCIDENTELS.** S'assurer que l'interrupteur est en position hors tension avant de brancher l'outil.
- **UTILISER LES ACCESSOIRES RECOMMANDÉS.** Consulter le guide d'utilisation afin de connaître les accessoires recommandés. L'utilisation d'accessoires inappropriés présente des risques de blessures.
- **NE JAMAIS SE TENIR SUR L'OUTIL.** Cela présente des risques de blessures graves si l'outil bascule ou si on touche à la lame par inadvertance.
- **VÉRIFIER LES PIÈCES ENDOMMAGÉES.** Avant de continuer à utiliser l'outil, il faut vérifier si le protecteur ou toute autre pièce endommagée remplit bien la fonction pour laquelle il a été prévu. Vérifier l'alignement et les attaches des pièces mobiles, le degré d'usure des pièces et leur montage, ainsi que tout autre facteur susceptible de nuire au bon fonctionnement de l'outil. Il faut réparer ou remplacer tout protecteur ou autre composant endommagé.
- **SENS DE L'ALIMENTATION.** Alimenter la pièce dans l'outil dans le sens indiqué par les flèches sur le dessus de l'outil.
- **NE JAMAIS LAISSER UN OUTIL EN MARCHÉ SANS SURVEILLANCE. LE METTRE HORS TENSION.** Ne pas laisser l'outil avant l'immobilisation complète de la lame.

Mesures de sécurité additionnelles relatives aux dégauchisseuses

- Afin de minimiser les risques de blessures, l'utilisateur doit lire et comprendre le guide d'utilisation avant de se servir de la dégauchisseuse.
- Toujours porter des lunettes de protection et un masque respiratoire au besoin.
- Laisser les mains à 152,4 mm (6 po) du chariot du moteur lors de l'alimentation de la pièce à ouvrir.
- Ne jamais remplacer un fer ni effectuer toute autre réparation ou tout autre réglage lorsque l'outil est branché.
- S'assurer que l'interrupteur est en position hors tension avant de brancher l'outil.
- S'assurer que les fers sont installés de la façon décrite dans le présent guide et vérifier si tous les boulons sont bien serrés avant de brancher l'outil.
- Afin d'éviter les risques de blessures, ne jamais faire tourner le porte-outil avec les mains.
- S'assurer que les protecteurs sont en place et en bon état.

- Demeurer vigilant. Travailler avec vigilance et faire preuve de bon sens. Ne pas se servir de l'outil lorsqu'on est fatigué ni lorsqu'on a ingéré des drogues, de l'alcool ou des médicaments.
- Tenir compte du milieu de travail. Ne pas utiliser près de substances inflammables, dans des endroits humides ou mouillés ni sous la pluie.
- Ne jamais dégauchir un matériau d'une longueur de moins de 305 mm (12 po).
- Éviter de porter des vêtements amples, des gants, des cravates ou des bijoux.
- Certaines essences de bois renferment des agents de conservation (comme de l'arséniate de cuivre et de chrome) qui peuvent être toxiques. Lorsqu'on doit dégauchir de tels matériaux, prendre des mesures supplémentaires afin d'éviter d'inhaler les vapeurs toxiques et de minimiser les contacts avec la peau.
- Chute d'évacuation : Enlever les copeaux à l'aide d'une brosse ou d'un aspirateur après avoir mis l'outil hors tension et avoir attendu l'immobilisation du porte-outil.
- **TOUJOURS LAISSER SUFFISAMMENT D'ESPACE DU CÔTÉ DE SORTIE DE LA DÉGAUCHISSEUSE** afin d'empêcher le cimentement ou le pliage de la pièce ou d'éviter tout autre obstacle.

⚠ **AVERTISSEMENT** : Certains outils, tels que les sableuses électriques, les scies, les meules, les perceuses ou certains autres outils de construction, peuvent soulever de la poussière contenant des produits chimiques susceptibles d'entraîner le cancer, des malformations congénitales ou pouvant être nocifs pour le système reproductif. Parmi ces produits chimiques, on retrouve :

- le plomb dans les peintures à base de plomb;
- la silice cristalline dans les briques et le ciment et autres produits de maçonnerie;
- l'arsenic et le chrome dans le bois de sciage ayant subi un traitement chimique (CCA).

Le risque associé à de telles expositions peut varier selon la fréquence avec laquelle on effectue ces travaux. Pour réduire l'exposition à de tels produits, il faut travailler dans un endroit bien ventilé et utiliser l'équipement de sécurité approprié tel un masque anti-poussières spécialement conçu pour filtrer les particules microscopiques.

CONSERVER CES MESURES.

Fiche technique

Alimentation120 V c.a., 15 A
Régime sous vide10 000 trs/min
Vitesse d'alimentation7.9 m (26 pi) à la minute
Hauteur de rabotage	..Maximum de 152,4 mm (6 po), minimum de 3,1 mm (1/8 po)
Largeur de rabotage	..Maximum de 318 mm (12 1/2 po)

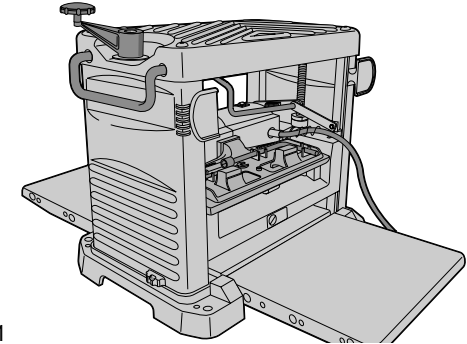


FIG.1

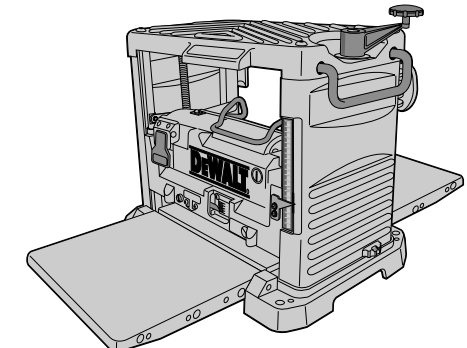
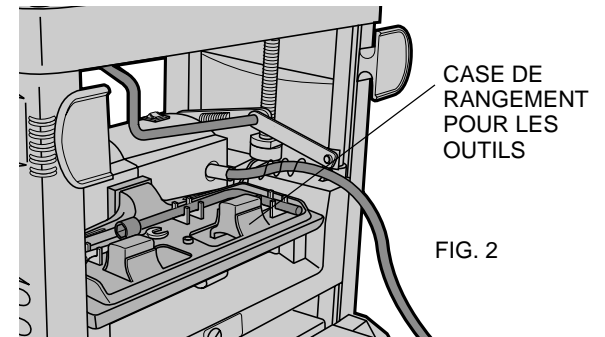


FIG.2



CASE DE RANGEMENT POUR LES OUTILS

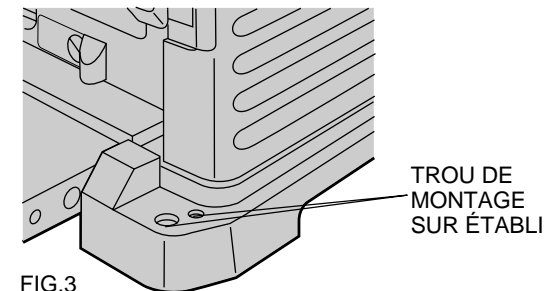


FIG.3

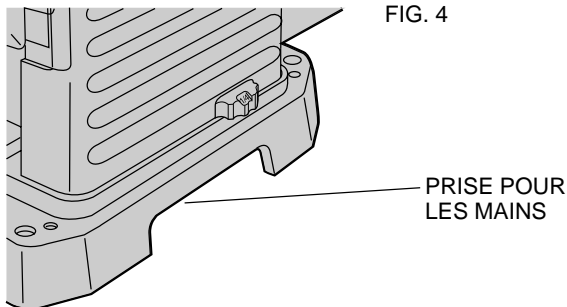


FIG. 4

PRISE POUR LES MAINS

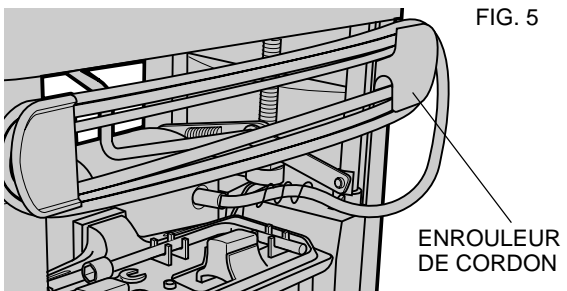


FIG. 5

ENROULEUR DE CORDON

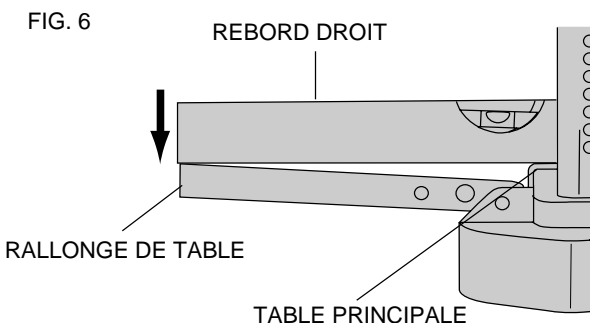


FIG. 6

REBORD DROIT

RALLONGE DE TABLE

TABLE PRINCIPALE

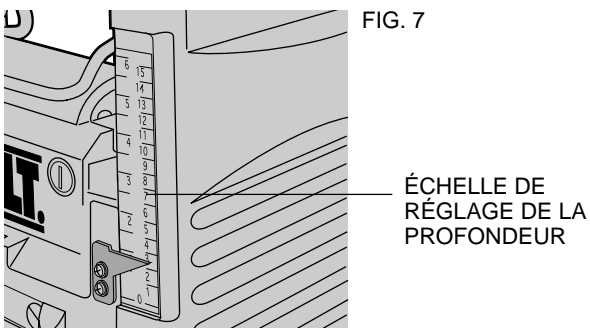


FIG. 7

ÉCHELLE DE RÉGLAGE DE LA PROFONDEUR

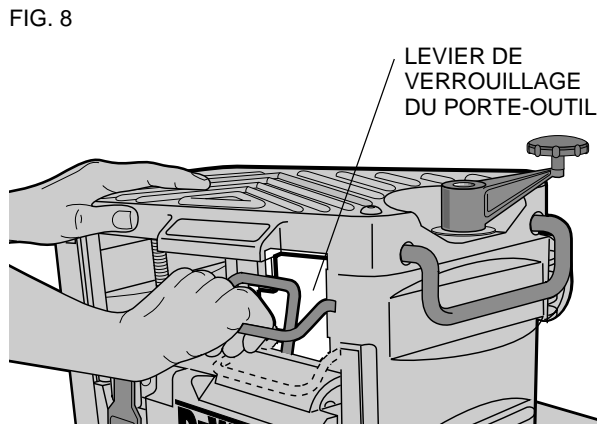


FIG. 8

LEVIER DE VERROUILLAGE DU PORTE-OUTIL

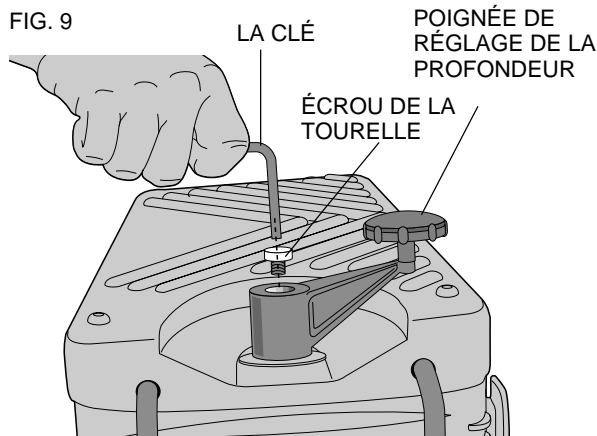


FIG. 9

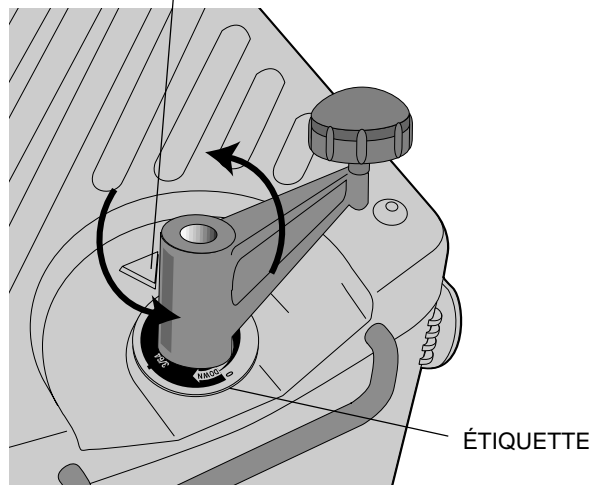
LA CLÉ

POIGNÉE DE RÉGLAGE DE LA PROFONDEUR

ÉCROU DE LA TOURELLE

FIG. 10

FLECHE



ÉTIQUETTE

Profondeur de rabotage . . . Maximum de 3,1 mm (1/8 po)
(pour des planches de moins de 139,7 mm (5 1/2 po) de largeur)

Connexion électrique

Veiller à ce que la tension d'alimentation soit conforme aux exigences de la plaque signalétique de l'outil. La mention «c.a. seulement» signifie que l'outil fonctionne seulement sur une alimentation en courant alternatif. Une baisse de tension de plus de 10 p. 100 entraîne une perte de puissance et la surchauffe. Tous les outils DEWALT sont essayés avant de quitter l'usine. Lorsque celui-ci refuse de fonctionner, vérifier la source de courant électrique.

Familiarisation

La dégauchisseuse est complètement montée dans l'emballage (fig. 1).

Déballage

Vérifier si l'emballage comprend tous les composants. Outre le présent guide, l'emballage devrait renfermer :

- 1 clé hexagonale;
- 1 clé à boulon en L;
- 1 clé ouverte (10 mm/8 mm)
- 2 jauges de fer magnétiques

Ces accessoires se trouvent dans le plateau à l'arrière de la dégauchisseuse (fig. 2).

Montage sur établi

L'outil comporte des trous aux quatre coins de l'outil pour faciliter le montage sur établi (fig. 3). (Il y a des trous de deux dimensions différentes. Lorsqu'on installe la dégauchisseuse à l'aide de boulons, se servir des gros trous. Utiliser les petits trous pour installer l'outil à l'aide de clous ou des vis. Se servir des trous d'une dimension; il n'est pas nécessaire de se servir des deux.) Toujours installer la dégauchisseuse fermement afin d'en empêcher le mouvement. Afin de faciliter le transport de l'outil, on peut le monter sur une pièce de contreplaqué d'une épaisseur minimale de 12,7 mm (1/2 po) qu'on peut ensuite fixer sur la surface de travail ou déplacer et fixer ailleurs.

NOTE : Lorsqu'on décide de fixer l'outil à une pièce de contreplaqué, s'assurer que les vis de montage ne dépassent pas sous le matériau. Le contreplaqué doit reposer à plat contre la surface de travail.

⚠ MISE EN GARDE : S'assurer que la surface de travail est plane.

Transport de la raboteuse

Lorsqu'on déplace l'outil, le saisir par les poignées latérales ou par les prises pour les mains du socle de l'outil (fig. 4). Lorsqu'on transporte l'outil ou qu'on le range, se servir de l'enrouleur de cordon qui se trouve à l'arrière de l'outil (fig. 5) afin de fixer le cordon.

Commandes de fonctionnement

Rallonges de table

Avant de se servir de l'outil, déplier les rallonges de table à l'avant et à l'arrière de l'outil. Le rebord arrière de chaque rallonge de table est réglé de façon à être de niveau avec la table principale (fig. 6). Il arrive parfois, après une utilisation prolongée, que les rallonges ne soient plus tout à fait de niveau. Consulter alors la rubrique relative à la mise au niveau des rallonges de table du présent guide.

Réglage de la profondeur

ÉCHELLE DE RÉGLAGE DE LA PROFONDEUR

L'échelle de réglage de la profondeur, qui se trouve à droite à l'avant de l'outil, indique l'épaisseur finale de la pièce à ouvrir (fig. 7).

POIGNÉE DE RÉGLAGE DE LA PROFONDEUR

Pour régler l'épaisseur voulue, il faut d'abord débloquer le levier de verrouillage du porte-outil (fig. 8). On peut ainsi régler facilement le porte-outil. Rebloquer le levier de verrouillage du porte-outil avant les travaux afin d'en optimiser les résultats.

On abaisse le porte-outil en faisant tourner la poignée dans le sens horaire, tandis qu'on le soulève en faisant tourner la poignée dans le sens antihoraire. Un tour complet de la poignée déplace le porte-outil de 1,5 mm (1/16 po).

RÉGLAGES DE PRÉCISION

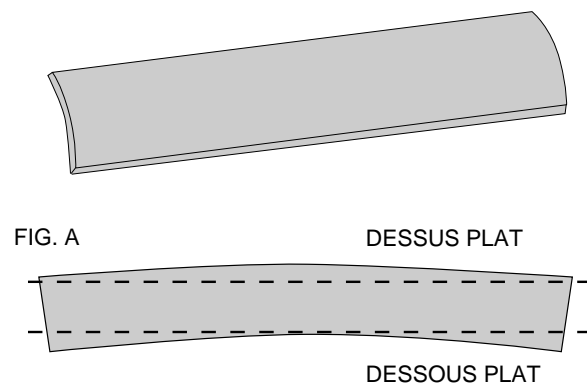
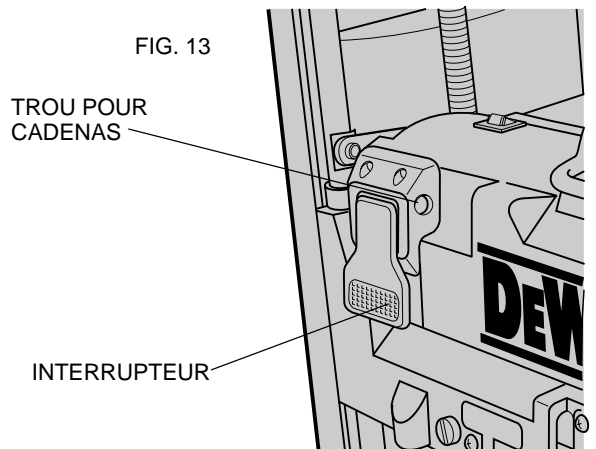
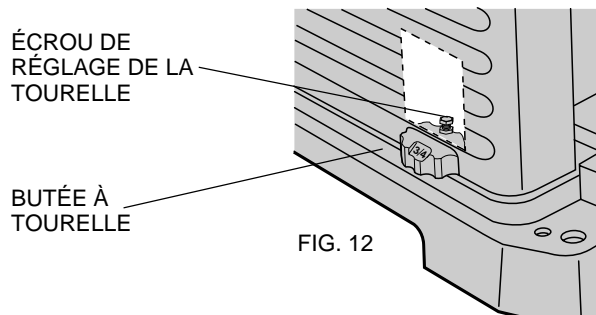
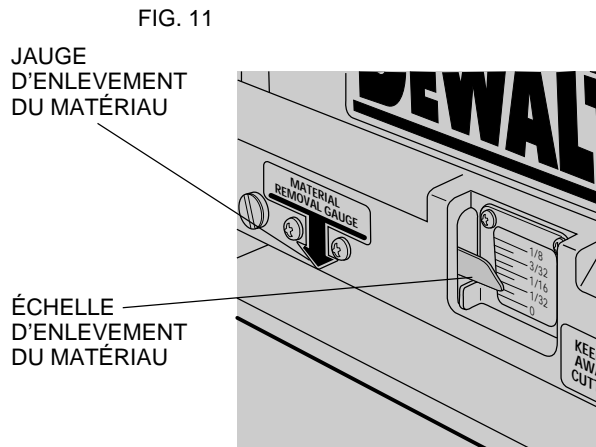
La poignée de réglage de la profondeur permet également d'effectuer des réglages de précision variant entre 0,4 mm et 1,5 mm (1/64 po et 1/16 po).

Les réglages de précision conviennent parfaitement pour raboter de petites quantités de matériaux. Lorsque la pièce dégauchie mesure 77,5 mm (3 1/16 po), par exemple, au lieu de 76 mm (3 po), régler l'outil pour enlever l'excédent de 1,5 mm (1/16 po).

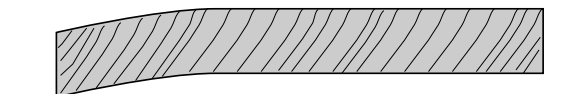
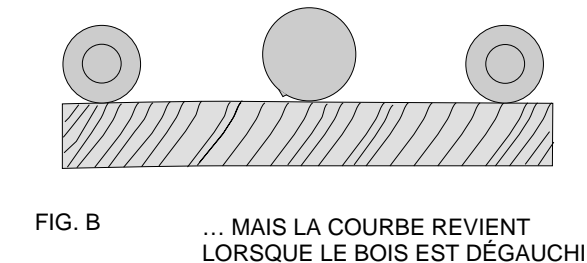
- Dégauchir la pièce et en mesurer l'épaisseur. Dans le cas présent, elle mesure 77,5 mm (3 1/16 po).
- Faire tourner l'étiquette ronde de la poignée de réglage de la profondeur jusqu'à ce que la mention «0» s'aligne sur la flèche sur le dessus de l'outil (fig. 10). Ne régler aucune autre commande de l'outil.
- Faire tourner la poignée de réglage de la profondeur dans le sens horaire jusqu'à ce que la mention «1/16"» s'aligne sur la flèche.
- Dégauchir la pièce. L'épaisseur finale devrait être de 76 mm (3 po).

ÉCHELLE D'ENLEVEMENT DU MATÉRIAU

L'outil comporte une échelle d'enlèvement du matériau qui indique la quantité de bois enlevée lors du dégauchissage (fig. 11). S'assurer que la pièce à ouvrir se trouve sous l'étiquette de la jauge d'enlèvement du matériau à l'avant de l'outil. La lecture de la jauge d'enlèvement du matériau se fait à la droite de cette étiquette.



LE BOIS COURBÉ EST APLANI PAR LES CYLINDRES D'ALIMENTATION ET LE PORTE-OUTIL ...



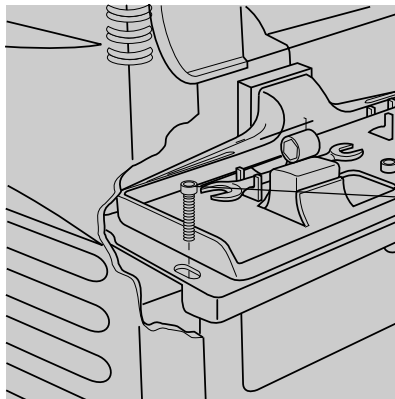


FIG. 15

VIS
CREUSE

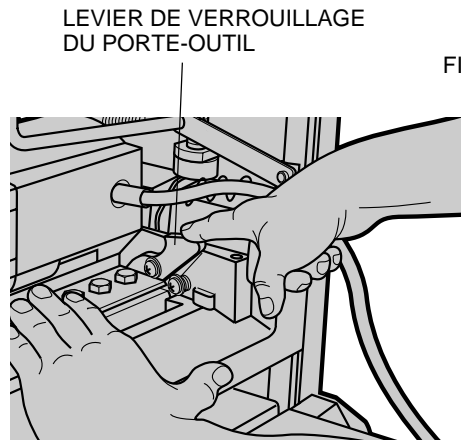


FIG. 18

LEVIER DE VERROUILLAGE
DU PORTE-OUTIL

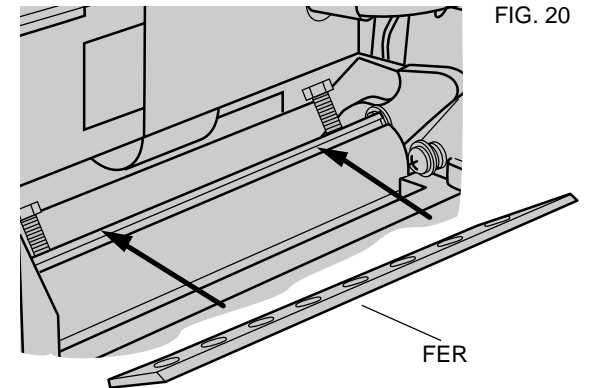


FIG. 20

FER

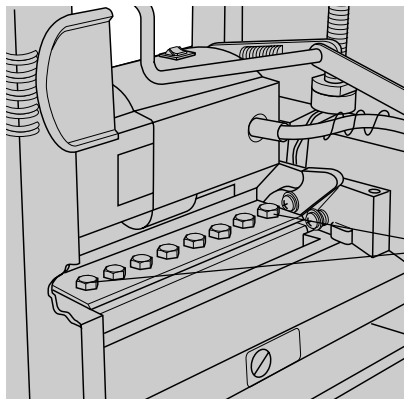


FIG. 16

BOULONS

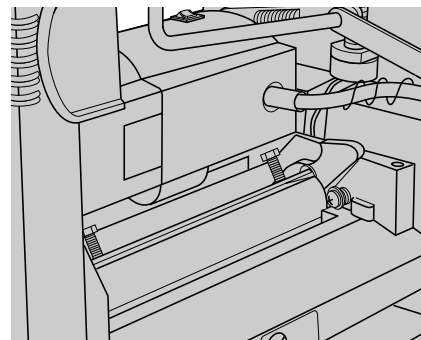
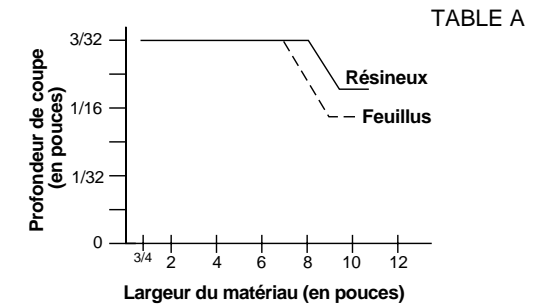


FIG. 19



et faire tourner la poignée de réglage dans le sens horaire afin de soulever complètement le porte-outil (fig. 9).

- Trouver l'écrou de réglage de la tourelle (fig. 12) à l'arrière de l'outil. L'écrou est réglé en usine à une profondeur de 3/4 po. Desserrer l'écrou de blocage et le régler vers le haut ou le bas jusqu'à la profondeur de coupe voulue.
- Faire tourner le levier de réglage de la profondeur dans le sens horaire jusqu'à ce qu'il entre en contact avec la butée à tourelle. Ne pas faire tourner la poignée au-delà de ce point.
- Dégauchir la pièce et en mesurer l'épaisseur finale. Régler au besoin en répétant les étapes précédentes.

NOTE : Afin d'optimiser les résultats, dégauchir la pièce en effectuant plusieurs passes et en rabotant les deux faces de la pièce. Consulter la rubrique relative aux techniques de rabotage plus bas.

Interrupteur

Pour mettre l'outil sous tension, en soulever l'interrupteur (fig. 13). L'outil est automatiquement verrouillé en mode

BUTÉE À TOURELLE

L'outil comporte une butée à tourelle (fig. 12) permettant de raboter à répétition à des profondeurs prédéterminées. Les butées sont réglées à 0 po, 1/4 po, 1/2 po et 3/4 po. Régler le dispositif à 0 po lorsqu'on rabote entre 1/8 po et 1/4 po. Voici comment on règle la profondeur de rabotage à l'aide de la butée à tourelle.

- Faire tourner la butée à tourelle jusqu'à l'apparition de la profondeur voulue (fig. 12).
- Débloquer le levier de verrouillage du porte-outil et faire tourner le levier de réglage de la profondeur dans le sens horaire jusqu'à ce qu'il entre en contact avec la butée à tourelle. Ne pas faire tourner la poignée au-delà du point d'arrêt.
- Dégauchir la pièce et en mesurer l'épaisseur. Le cas échéant, apporter les réglages de précision.

On peut régler la butée à tourelle de 3/4 po à d'autres épaisseurs. Le réglage de la butée à tourelle de 3/4 po ne nuit pas au réglage des autres butées à tourelle. Faire ce qui suit afin de régler la butée à tourelle de 3/4 po à d'autres épaisseurs.

- Débloquer le levier de verrouillage du porte-outil (fig. 8)

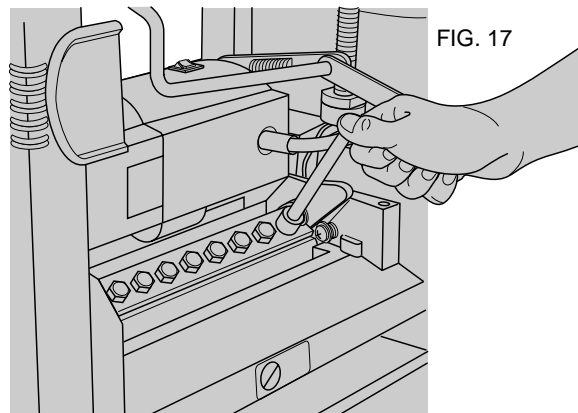


FIG. 17

de fonctionnement. Pour l'arrêter, il faut en abaisser l'interrupteur. L'outil comporte un trou pour cadenas afin de verrouiller l'outil hors service (fig. 13).

Techniques de rabotage

AVERTISSEMENT : Raboter seulement du bois qui ne comporte aucun corps étranger, qui n'a pas de nœuds lâches et un minimum de nœuds serrés. Ne pas dégauchir une pièce très courbée, tordue, remplie de nœuds ou arquée.

L'outil fonctionne mieux lorsque la pièce comporte au moins une face plane. Lorsque les deux faces de la pièce sont rugueuses, se servir d'une jointeuse pour en aplanir une face.

Afin d'optimiser les résultats, dégauchir les deux faces d'une pièce afin d'obtenir l'épaisseur voulue. Ainsi, lorsqu'on veut enlever 3,1 mm (1/8 po) d'une pièce, en enlever 1,5 mm (1/16 po) de chaque côté. Non seulement, on permet de la sorte au bois de sécher uniformément, mais on obtient également des coupes précises.

NOTE : Il est déconseillé de dégauchir des matériaux de moins de 3/4 po d'épaisseur. Lorsqu'il faut dégauchir des pièces étroites, en rassembler quelques-unes et les dégauchir comme une seule pièce, dans la mesure du possible.

Respecter les directives relatives à la profondeur de coupe et à la largeur du tableau A afin d'optimiser les résultats.

ENTAILLE

Une entaille est un creux formé par le contact des extrémités de la pièce avec les fers du porte-outil. Une entaille se produit lorsque le poids non soutenu de la pièce fait soulever cette dernière de la table vers le porte-outil.

Faire ce qui suit afin d'éviter la formation d'entailles.

- S'assurer que la pièce est de niveau tout au long des travaux.
- S'assurer que les rallonges de table sont de niveau avec la table principale (consulter la rubrique relative à la mise au niveau des rallonges de table).
- Alimenter la pièce à plat contre les tables de l'outil.

BOIS GAUCHI

Le bois gauchi bloque non seulement l'outil, il produit également des variations dans l'épaisseur finale de la pièce. En cas de blocage de l'outil, mettre l'interrupteur en position hors tension et débrancher l'outil.

Lorsque la pièce n'est pas gauchi ou l'est à peine, en raboter les deux faces afin d'obtenir l'épaisseur voulue. Toujours alimenter la pièce dans le sens du grain.

La figure A montre du bois courbé. La figure B montre du bois arqué.

DÉGAUCHISSAGE DE BOIS COURBÉ

- Afin d'optimiser les résultats, effectuer une coupe de refente au milieu de la pièce et raboter les pièces séparément. On élimine de la sorte le gaspillage.

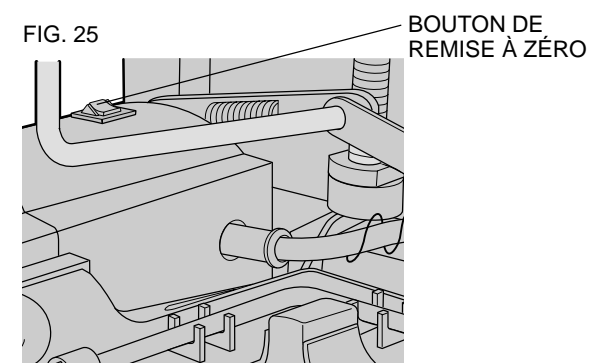
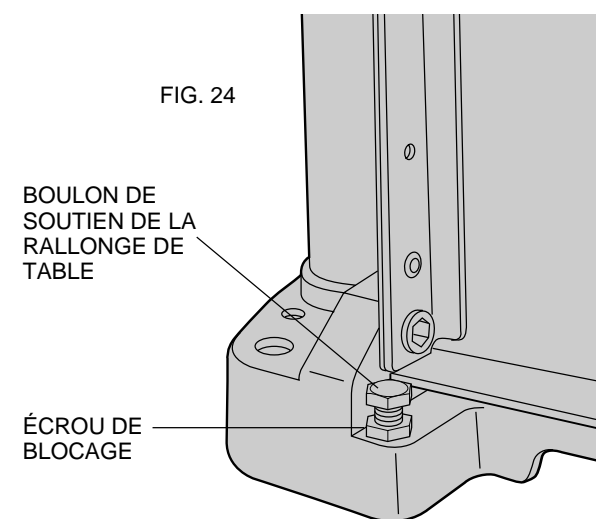
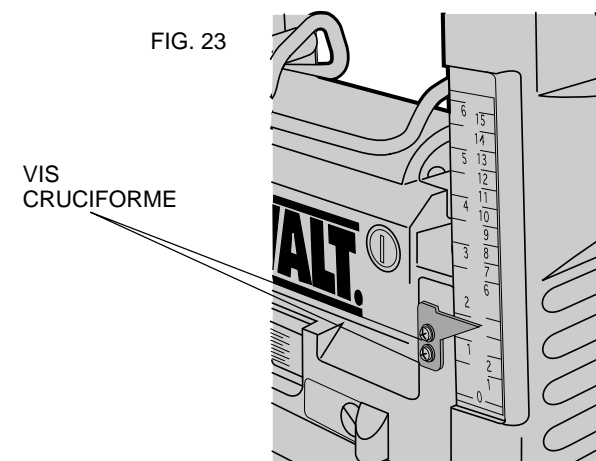
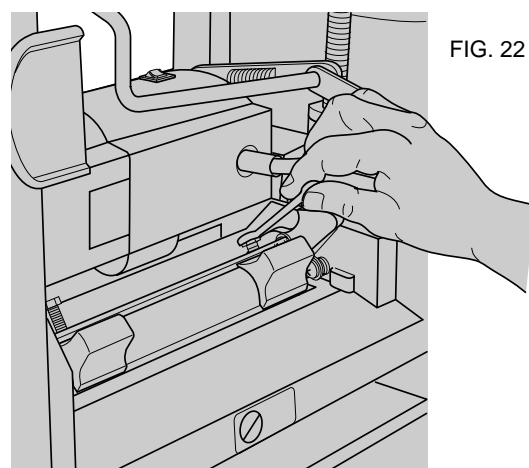
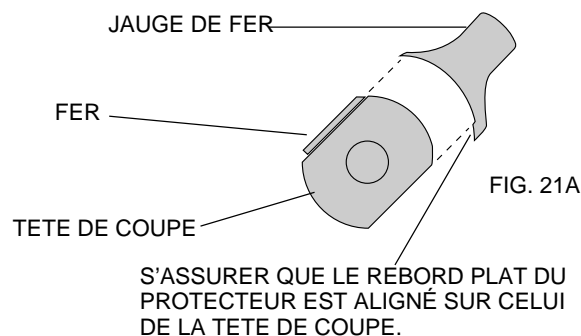
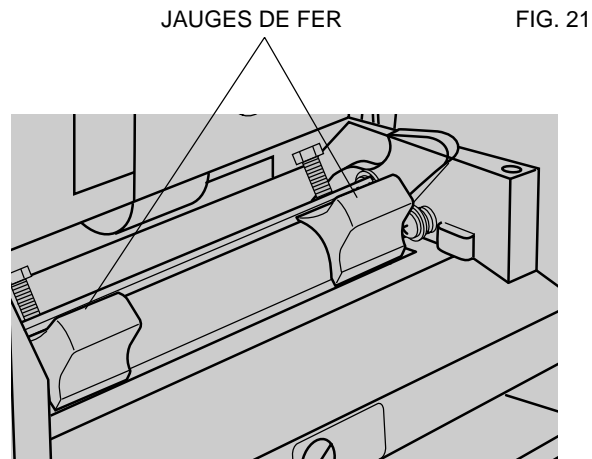


FIG. 26

COUVERCLE
D'INSPECTION
DES BALAIS

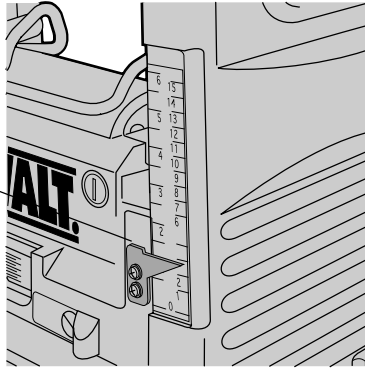


FIG. 27

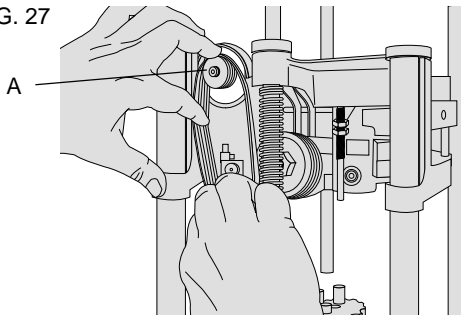


FIG. 28

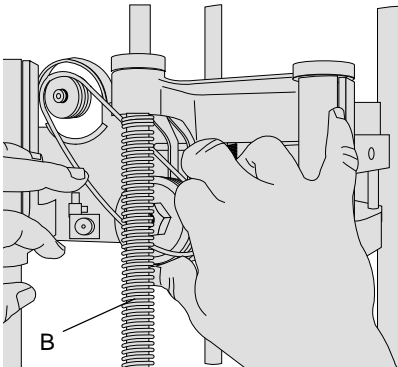
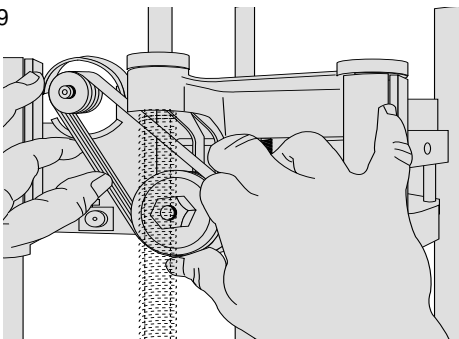


FIG. 29



Lorsque ce n'est pas possible, faire ce qui suit.

- Raboter d'abord la face supérieure (fig. A).
- Tourner la pièce et raboter l'autre face.

L'épaisseur finale du bois courbé est peu modifiée par la dégauchissage. En effet, les cylindres d'alimentation et le porte-outil aplanissent temporairement la pièce courbée. Toutefois, le bois courbé reprend sa forme après la dégauchissage. Pour enlever une courbe, il vaut mieux se servir d'une jointeuse.

Rabotage

Après tous les réglages, mettre l'outil sous tension et attendre le plein régime des fers. La pièce ne doit pas être en contact avec les cylindres d'alimentation ou le porte-outil lors de la mise sous tension de l'outil.

Alimenter le bois de la façon illustrée (fig. 14). Ne pas forcer la pièce dans le porte-outil. Laisser le soin de déterminer la vitesse d'alimentation aux cylindres d'alimentation

Réglages

Remplacement des fers

RETRAIT DES FERS

La dégauchisseuse comporte deux fers fixés à un porte-outil rotatif. Voici comment on retire les fers.

- 1) Mettre l'outil hors tension et le débrancher. Soulever le levier de verrouillage du porte-outil, dans la position déverrouillée.
- 2) Régler la profondeur de coupe jusqu'à environ la mention «3"» de l'échelle. Cela laisse suffisamment de jeu pour remplacer les fers.
- 3) Retirer les deux vis creuses près du plateau d'accessoires (fig. 15). Soulever et retirer soigneusement la chute d'évacuation des poussières. **⚠ MISE EN GARDE** : Lorsqu'on retire la chute, les fers sont à découvert.
- 4) Lorsqu'on ne peut pas voir les huit boulons illustrés à la figure 16, faire tourner avec précaution le porte-outil à l'aide d'un bout de bois inutile jusqu'à ce qu'on voit les boulons. Éloigner les doigts du porte-outil jusqu'à ce que les boulons soient visibles.
- 5) Lorsque les huit boulons illustrés à la figure 16 se trouvent de la façon illustrée, s'assurer que le levier de verrouillage du porte-outil est dans la position verrouillée et que le porte-outil est stable. Les fers bloquent aussi en empêchant la rotation.
- 6) Se servir de la clé en L fournie pour desserrer les deux boulons des extrémités sans les retirer (fig. 17).
- 7) Retirer avec précaution les six boulons du centre. **⚠ AVERTISSEMENT** : Lorsque le fer est muni d'un ressort, il peut se déplacer vers soi lorsqu'on retire les six boulons.
- 8) Abaisser le levier de verrouillage du porte-outil (fig. 18) vers le fer et faire rouler doucement le porte-outil vers

l'arrière jusqu'à ce que le fer puisse être retiré.

- 9) Abaisser le levier de verrouillage du porte-outil (fig. 18) et faire rouler le porte-outil jusqu'à ce qu'on voit l'autre fer. Retirer ce fer de la même façon que le fer précédent.

INSTALLATION DES FERS

- 1) Placer le porte-outil de la façon illustrée à la figure 19.
- 2) Placer avec précaution le nouveau fer sur le porte-outil (fig. 20).
- 3) Placer les deux jauges de fer magnétiques (qui se trouvent dans le plateau d'accessoires) sur le porte-outil (fig. 21). S'assurer que le rebord plat de la jauge repose contre le rebord plat du porte-outil (fig. 21A). On installe de la sorte le fer de façon appropriée sur le porte-outil.
- 4) Bien resserrer les deux boulons des extrémités à l'aide de la clé en L fournie (fig. 22).
- 5) Retirer les jauges et faire tourner le porte-outil en place (fig. 18). Remettre les six boulons du centre en place et les resserrer. Les boulons devraient être serrés à une pression de 50 lb-po (5,7 N-m).
- 6) Abaisser le levier de verrouillage du porte-outil (fig. 18) et faire rouler le porte-outil jusqu'à ce qu'on voit l'emplacement de l'autre fer. Installer ce fer de la même façon que le fer précédent.

AFFUTAGE DES FERS

Les fers de l'outil comportent un excédent de matériau de 1/8 po afin de pouvoir les affûter. S'assurer qu'ils sont réaffûtés au même angle (42°). On peut se procurer séparément des fers de rechange DEWALT (mod. n° DW7332) chez les détaillants et aux centres de service autorisés.

Installation d'une nouvelle courroie

1. METTRE LA RABOTEUSE HORS TENSION ET DÉBRANCHER LE CORDON.
 2. Retirer les deux vis à tête Phillips situées sur le couvercle latéral droit de la raboteuse, à l'avant et à l'arrière.
 3. Soulever le couvercle au complet en le tirant vers le haut, puis retirer la partie du bas de la fente.
- REMARQUE** : l'installation de la courroie ne requiert aucun outil; l'usage d'un tournevis ou de tout autre outil pourrait endommager les poulies, ce qui risquerait de détruire la nouvelle courroie.
4. La surface interne de la courroie présente des rainures.
 5. Figure 27 – Commencer par faire passer la courroie sur la poulie supérieure (A), tel qu'illustré à la figure 1; trois rainures doivent s'y accrocher.
 6. Figure 28 – Guider la courroie entre la poulie inférieure et la vis de réglage de hauteur (B).
 7. En s'assurant que trois des rainures sont accrochées sur la grande poulie, faire tourner cette dernière vers la droite.
 8. Appuyer légèrement sur le bord de la courroie afin de

- s'assurer que les rainures s'accrochent sur la petite poulie.
9. Figure 29 – Continuer d'appuyer sur le côté de la courroie et faire tourner la grande poulie afin que la courroie s'engage complètement dans les poulies.
 10. Une fois cette étape terminée, toutes les rainures de la courroie devraient être accrochées, et les poulies devraient tourner aisément.
 11. Replacer le couvercle latéral et les vis; ne pas trop serrer les vis auto-taraudeuses.

Calibrage de l'échelle de réglage de la profondeur

L'échelle de réglage de la profondeur est réglée en usine. La mesure peut en devenir incorrecte à la suite d'utilisation prolongée.

Pour en vérifier l'exactitude, raboter une pièce de bois en prenant note du réglage de l'échelle.

Mesurer l'épaisseur finale de la pièce. Lorsque cette mesure ne correspond pas à celle de l'échelle, desserrer les deux vis cruciformes illustrées à la figure 23. Régler le prisme vers le bas ou le haut jusqu'à ce que la mesure de l'échelle corresponde à celle de la pièce. Bien resserrer les vis.

Mise au niveau des rallonges de table

Il arrive parfois, après une utilisation prolongée, que les rallonges ne soient plus tout à fait de niveau. Pour s'assurer qu'elles sont de niveau, placer une règle sur la rallonge. La règle devrait être en contact avec le rebord de la rallonge et celui de la table principale (fig. 6). Lors de la mise au niveau, abaisser les rebords des rallonges afin d'éliminer tout jeu. Afin d'optimiser les résultats, se servir d'un niveau assez long pour entrer en contact simultanément avec les rebords des deux rallonges.

Lorsque les rallonges ne sont pas de niveau, desserrer l'écrou de blocage et régler les boulons de soutien de la rallonge vers le bas ou le haut (fig. 24).

Bouton de remise à zéro

L'outil comporte un disjoncteur de 18 A. En cas de surcharge et d'arrêt, mettre l'outil hors tension et enfoncer le bouton de remise à zéro (fig. 25).

Entretien

BALAIS

Inspecter régulièrement les balais de carbone en débranchant d'abord la scie, en retirant le couvercle d'inspection des balais (fig. 26) et en sortant l'assemblage balais. S'assurer que les balais sont propres et qu'ils glissent bien dans leurs guides. Toujours remplacer les

balais usés par des balais placés dans le même sens dans le porte-balai. Différents symboles sont inscrits sur les côtés des balais de carbone. Lorsque le balai est usé jusqu'à la ligne la plus près du ressort, il faut le remplacer. N'utiliser que des balais de rechange identiques D_EWALT.

On peut se procurer des balais de rechange au centre de service D_EWALT de la région. Il faut laisser l'outil fonctionner à vide (sans charge) pendant dix minutes avant de l'utiliser afin de permettre aux nouveaux balais de s'installer.

TABLE

S'assurer que la table est propre et libre de toute tache d'huile, de graisse et de poix. Traiter la table à l'aide de cire en pâte afin d'en maintenir le fini satiné.

Accessoires

On peut se procurer en sus les accessoires recommandés pour l'outil chez les détaillants ou aux centres de service autorisés. Pour trouver un accessoire pour l'outil, communiquer à l'adresse suivante.

D_EWALT Industrial Tool Co., 701 East Joppa Road, Baltimore, MD 21286

⚠ MISE EN GARDE : L'utilisation de tout autre accessoire non recommandé pour l'outil peut être dangereuse.

Important

Pour assurer la SÉCURITÉ D'EMPLOI et la FIABILITÉ de l'outil, n'en confier la réparation, l'entretien et les rajustements (y compris l'inspection et le remplacement des balais) qu'au personnel d'un centre de service D_EWALT ou d'un atelier d'entretien autorisé n'utilisant que des pièces de rechange identiques.

Garantie complète

Les outils industriels de service intensif D_EWALT sont garantis pendant un an à partir de la date d'achat. Toute pièce d'un outil D_EWALT qui s'avérerait défectueuse en raison d'un vice de matière ou de fabrication sera réparée ou remplacée sans frais. Pour obtenir de plus amples renseignements sur les réparations couvertes par la garantie, composer le 1 (800) 4-D_EWALT (! (800) 433-9258). La garantie ne couvre pas les accessoires ni les réparations tentées ou effectuées par des tiers. Les modalités de la présente garantie donnent des droits légaux spécifiques. L'utilisateur peut également se prévaloir d'autres droits selon l'état ou la province qu'il habite.

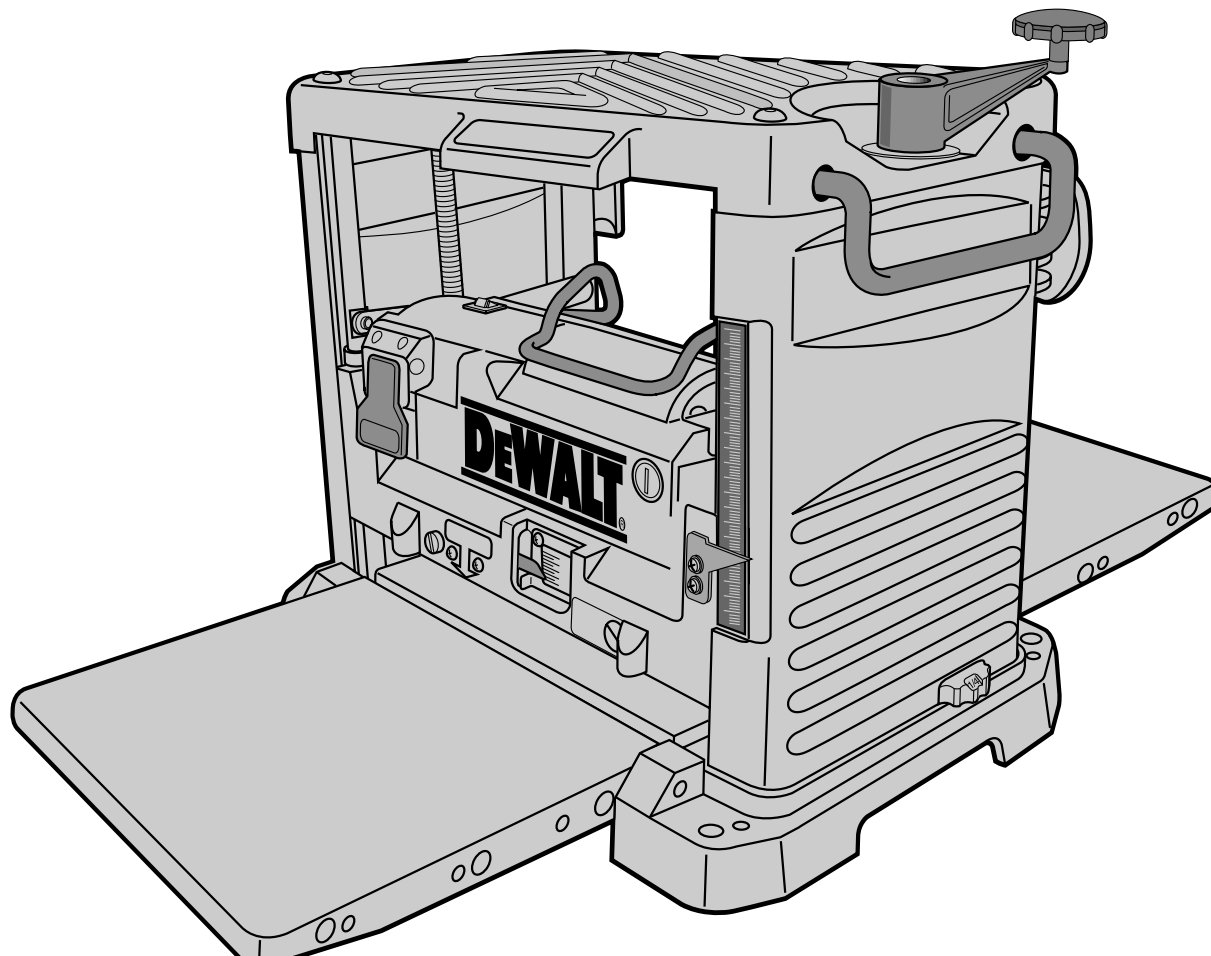
En outre, la garantie suivante couvre les outils D_EWALT.

GARANTIE DE SATISFACTION DE 30 JOURS OU ARGENT REMIS

Si, pour quelque raison que ce soit, l'outil industriel de service intensif D_EWALT ne donne pas entière satisfaction, il suffit de le retourner chez le marchand participant dans les 30 jours suivant la date d'achat afin d'obtenir un remboursement complet. Il faut retourner, port payé, l'outil complet. On peut exiger une preuve d'achat.

Voir la rubrique "Outils électriques" des Pages Jaunes pour le service et les ventes.





INSTRUCCIONES IMPORTANTES DE SEGURIDAD (PARA TODAS LAS HERRAMIENTAS)

⚠️ ADVERTENCIA: Es indispensable sujetarse a las precauciones básicas de seguridad, con la finalidad de reducir el peligro de incendio, choque eléctrico y lesiones personales, en todas las ocasiones en que se utilicen herramientas eléctricas. Entre estas precauciones se incluyen las siguientes.

⚠️ ADVERTENCIA: **POR SU PROPIA SEGURIDAD LEA EL MANUAL DE INSTRUCCIONES ANTES DE OPERAR LA HERRAMIENTA.**

LEA TODAS LAS INSTRUCCIONES

Instrucciones de conexión a tierra

En caso de mal funcionamiento o descompostura, la tierra proporciona un camino de menor resistencia a la corriente eléctrica para reducir los riesgos de choque eléctrico. Esta herramienta está equipada con un cable eléctrico con un conductor a tierra y clavija de conexión a tierra. La clavija debe conectarse a una toma de corriente para maquinaria que esté instalada correctamente de acuerdo a las regulaciones y los códigos locales. No modifique la clavija en caso que no ajuste con la toma de corriente; haga que un electricista calificado le instale una toma de corriente apropiada.

La conexión incorrecta del conductor a tierra del equipo puede originar riesgos de choque eléctrico. El conductor cuyo aislamiento es verde con o sin franjas amarillas, es el conductor a tierra del equipo. Si se requiere reparar o reemplazar al cable, no conecte el conductor a tierra del equipo a una terminal viva.

Verifique con un electricista calificado u otro personal de servicio si no comprende perfectamente las instrucciones de conexión a tierra, o si tiene dudas respecto a la conexión a tierra del equipo.

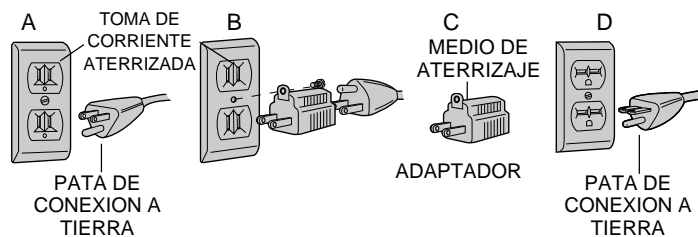
Solamente use cables de extensión que tengan tres conductores y clavijas de tres patas y tomas de corriente de tres polos que acepten la clavija de la herramienta.

Repáre o reemplace los cables dañados inmediatamente.

Para herramientas aterrizadas, conectadas con cable, diseñadas para utilizarse en un circuito de alimentación con tensión nominal menor a 150 volts: esta herramienta está diseñada para utilizarse en circuitos que tengan una toma de corriente similar a la ilustrada en la figura A. Se puede utilizar un adaptador temporal, que se parece al mostrado en las figuras B y C, para conectar esta clavija a una toma de corriente de dos polos como se observa en la figura B si no dispone de una toma aterrizada. Solamente debe utilizar el adaptador temporal hasta que un electricista le instale una toma apropiada.

La oreja, lengüeta, o similar de color verde que se extiende del adaptador debe conectarse a tierra permanente, como una toma de corriente aterrizada.

Para herramientas aterrizadas, conectadas con cable destinadas a utilizarse en circuito de alimentación nominal entre 150 y 200 volts: esta herramienta está diseñada para utilizarse en circuitos con tomas de corriente como la que se observa en la figura D. La herramienta tiene una clavija de conexión a tierra similar a la que se ilustra en la figura D. Asegúrese de conectar la herramienta a una toma que tenga la misma configuración que la clavija. No existen adaptadores, ni se deben utilizar con esta herramienta. Si debe reconectar la



herramienta para utilizarla en un circuito eléctrico de tipo diferente, asegúrese que lo haga un electricista calificado; y después de la reconexión, la herramienta deberá cumplir con todos los reglamentos locales.

Para herramientas conectadas permanentemente: esta herramienta debe conectarse a un sistema de aterrizaje metálico con cableado permanente; o a un sistema que tenga conductor a tierra para equipos.

Instrucciones importantes de seguridad

- **CONSERVE LAS GUARDAS EN SU SITIO** y listas para trabajar.
- **RETIRE LAS LLAVES DE AJUSTE Y DE TUERCAS.** Adquiera el hábito de asegurarse de que se han retirado las llaves de ajuste de la herramienta antes de accionarla.
- **CONSERVE LIMPIA EL AREA DE TRABAJO.** Las áreas y bancos con objetos acumulados en desorden propician los accidentes.
- **NO SE EMPLEE EN AMBIENTES PELIGROSOS.** No utilice herramientas eléctricas en lugares inundados o mojados, ni las exponga a la lluvia. Conserve bien iluminada el área de trabajo.
- **CONSERVE APARTADOS A LOS NIÑOS.** Todos los visitantes deben permanecer a distancia segura de la zona de trabajo.
- **HAGA SU TALLER A PRUEBA DE NIÑOS** con candados, interruptores maestros y retirando las llaves de encendido.
- **NO FUERCE LA HERRAMIENTA.** Esta cumplirá mejor con su trabajo y de manera más segura bajo las especificaciones para las que se diseñó.
- **EMPLEE LA HERRAMIENTA ADECUADA.** No fuerce una herramienta o sus dispositivos en una tarea para los que no han sido diseñados.
- **UTILICE UN CABLE DE EXTENSION ADECUADO.** Asegúrese que su extensión esté en buenas condiciones. Cuando utilice una extensión, asegúrese de emplear una que soporte la corriente que su herramienta necesita. Una extensión con calibre insuficiente provocará una caída en el voltaje de la línea, ocasionando pérdida de potencia y sobrecalentamiento. El cuadro siguiente muestra el calibre correcto a utilizarse de acuerdo con la longitud y el amperaje indicado en la placa de identificación. Si tiene dudas, utilice el calibre siguiente. Mientras más pequeño sea el número del calibre, mayor será su capacidad.

Calibre mínimo para cordones de extensión

Volts	Longitud total del cordón en metros			
120V	0-7.62	7.63-15.24	15.25-30.48	30.49-45.72
240V	0-15.24	15.25-30.48	30.49-60.96	60.97-91.44
AMPERAJE				
Más de	No más de	Calibre del cordón AWG		
0 - 6	18	16	16	14
6 - 10	18	16	14	12
10 - 12	16	16	14	12
12 - 16	14	12	No se recomienda	

- **VISTA LAS PRENDAS ADECUADAS.** No utilice prendas de vestir flojas, guantes, corbatas, anillos, brazaletes ni otras piezas de joyería que pudiesen quedar atrapadas en las partes móviles. Se recomienda el empleo de calzado antiderrapante. Cúbrase el cabello si lo tiene largo.
- **SIEMPRE UTILICE GAFAS DE SEGURIDAD.** También utilice una máscara contra polvo si la operación a efectuar lo produce. Los anteojos de uso diario solamente tienen lentes resistentes al impacto, no son anteojos de seguridad.
- **SUJETE FIRMEMENTE LOS OBJETOS SOBRE LOS QUE TRABAJE.** Utilice prensas o tornillos de banco para sujetar bien los objetos sobre los que va a trabajar. Esto ofrece mayor seguridad que sujetar los objetos con la mano, y además deja libres ambas manos para operar la herramienta.

- **NO SE SOBREEXTIENDA.** Conserve siempre bien apoyados los pies, lo mismo que el equilibrio.
- **CUIDE SUS HERRAMIENTAS.** Conserve sus herramientas afiladas y limpias para que funcionen mejor y de manera más segura. Siga las instrucciones de lubricación y cambio de accesorios.
- **DESCONECTE LA HERRAMIENTAS** antes de efectuarles servicio y cuando les cambie accesorios, como cuchillas, brocas y similares.
- **REDUZCA EL RIESGO DE ENCENDIDO ACCIDENTAL.** Asegúrese que el interruptor esté en posición de apagado antes de conectar la herramienta.
- **UTILICE LOS ACCESORIOS RECOMENDADOS.** Busque en el manual de instrucciones los accesorios recomendados. El uso de accesorios inadecuados puede causar riesgos de lesiones.
- **NUNCA SE PARE EN LA HERRAMIENTA.** Puede provocarse lesiones graves si la herramienta se vuelca o si hace contacto accidental con la herramienta de corte.
- **REVISE LAS PARTES DAÑADAS.** Antes de seguir utilizando la herramienta, debe revisar cuidadosamente una guarda o cualquier otra pieza que esté dañada para determinar si cumplirá adecuadamente con su función; revise la alineación de las piezas móviles, sus montajes, ruptura de partes y cualesquiera otras condiciones que pudiesen afectar su operación. Repare o reemplace las piezas dañadas.
- **DIRECCION DE ALIMENTACION.** Alimente la pieza dentro del cepillo de acuerdo con la dirección de las flechas de alimentación que se encuentran en la parte superior de la unidad.
- **NUNCA DEJE LA HERRAMIENTA EN FUNCIONAMIENTO Y DESATENDIDA. APAGUELA.** No deje la herramienta hasta que se haya detenido por completo.

Instrucciones adicionales de seguridad para cepillos

- El usuario debe leer y comprender el manual de instrucciones antes de operar el cepillo para reducir el riesgo de lesiones.
- Siempre utilice protección en los ojos y una mascarilla contra polvo en caso necesario.
- Conserve las manos a 15 cm de distancia del carro del motor al alimentar la pieza de trabajo.
- Nunca reemplace la cuchilla de corte ni haga otras reparaciones o ajustes con la unidad conectada.
- Asegúrese de que el interruptor esté en posición de apagado antes de conectar la clavija a la toma de corriente.
- Asegúrese de que las cuchillas de corte estén montadas como se describe en el manual de instrucciones y verifique que todos los tornillos estén bien apretados antes de conectar la unidad a la toma de corriente.
- Para evitar lesiones, nunca gire el bloque de las cuchillas directamente con sus manos.
- Conserve las guardas en su sitio y listas para funcionar.

- *Esté alerta - nunca opere la unidad cuando se encuentre cansado ni bajo la influencia de drogas, alcohol o medicamentos.*
- *No se utilice en ambientes peligrosos. No se emplee cerca de sustancias inflamables, en sitios mojados o inundados, ni se exponga a la lluvia.*
- *Nunca cepille materiales que tengan menos de 30 cm de longitud.*
- *No use guantes, corbatas, piezas de joyería ni prendas de vestir sueltas.*
- *Algunos tipos de maderas contienen conservadores como el arsenato cúprico de cromo (CCA) que pueden ser tóxicos. Cuando cepille estos materiales debe tener precaución extrema para evitar la inhalación y el contacto de estas sustancias con la piel.*
- *Canal de escape: retire las virutas con un cepillo o aspírelas después de haber apagado la unidad y de que las cuchillas hayan cesado de girar.*
- **COLOQUE SIEMPRE EL CEPILLO CON LA DISTANCIA APROPIADA DEL LADO DE SALIDA** de la unidad para evitar que la pieza de trabajo se atore con cualquier obstáculo.

CONSERVE ESTAS INSTRUCCIONES

Especificaciones

Tensión de alimentación	. . . 120 V~
Consumo de corriente 15 A
Velocidad sin carga 10,000 rpm
Altura de cepillado Máximo 152,4 mm (6"), Mínimo 3,1 mm (1/8")
Ancho de cepillado Máximo 317,5 mm (12 1/2")
Profundidad de cepillado	. . . Máximo 3,1 mm (1/8") para tablones con 139,7 mm (5 1/2")

Conexión eléctrica

Asegúrese que su alimentación de corriente concuerde con la marcada en la placa de identificación. AC ONLY significa que su cepillo solamente funcionará con corriente alterna. Una pérdida de voltaje de 10 por ciento o mayor ocasionará pérdida de potencia y sobrecalentamiento. Todas las herramientas DeWALT se prueban en la fábrica. Si esta herramienta no funciona, revise la alimentación de corriente.

Familiarización

Su cepillo viene completamente ensamblado en el empaque. Observe la figura 1.

Desempaque su cepillo

Revise el contenido de su cepillo para asegurarse que ha recibido todas las piezas. Aparte de este manual de instrucciones, la caja debe contener:

- 1 llave allen
- 1 llave en forma de "L"
- 1 llave española (10 mm/8 mm)
- 2 calibradores magnéticos para cuchillas

Estas herramientas se encuentran en la charola que está en la parte trasera de su cepillo, como se ilustra en la figura 2.

Montaje en banco

El cepillo cuenta con orificios en las cuatro esquinas para facilitar el montaje en un banco, como se muestra en la figura 3. (Se proporcionan orificios de dos diferentes tamaños. Si montará el cepillo con pernos, utilice los orificios más grandes. Si montará el cepillo con calvos o tornillos, utilice los orificios más pequeños. Utilice uno de los dos tamaños de orificios, no es necesario emplearlos ambos.) Instales su cepillo con firmeza para evitar movimientos. Para aumentar la portabilidad de la herramienta, se puede colocar sobre una pieza de madera contraplacada de 12,7 mm (1/2") de espesor (o mayor), la que podrá sujetarse por medio de prensas o sargentos a su base de trabajo o moverse a otro sitio en donde podrá fijarse con presas.

⚠ **PRECAUCION:** Asegúrese de que la superficie de montaje no esté desnivelada.

Transporte del cepillo

Cuando mueva su cepillo, cárguelo por cualquiera de los mangos para acarreo o por el hueco para las manos que se encuentra en la base (figura 4). Cuando transporte o guarde el cepillo, utilice el sujetador para el cable que se encuentra en la parte trasera de la herramienta (figura 5) para conservarlo en su sitio.

Controles de operación

Extensiones de la mesa

Antes de utilizar su cepillo, despliegue las extensiones de la mesa que se encuentran al frente y por detrás de la herramienta. El borde trasero de cada extensión está ajustado a nivel con la mesa principal (figura 6). Después de algún tiempo, las extensiones pueden desnivelarse ligeramente. Consulte la sección de ajustes en este manual para las instrucciones de nivelado.

Ajuste de profundidad

ESCALA DE AJUSTE DE PROFUNDIDAD

La escala de ajuste de profundidad, que se encuentra al frente, del lado derecho de su cepillo, indica el espesor final de su pieza de trabajo (figura 7).

MANIJA DE AJUSTE DE PROFUNDIDAD

Para ajustar el espesor final, desasegure primero la palanca del seguro de la cabeza (figura 8). Esto permitirá ajustar con facilidad la cabeza de corte. Reasegure la palanca del seguro antes de cepillar para obtener mejores

resultados.

Al girar la manija en el sentido de las manecillas del reloj, se baja la cabeza de corte, y al girarla en sentido contrario a las manecillas del reloj, se eleva la cabeza. Un giro completo de la manija mueve la cabeza de corte 1,5 mm (1/16").

AJUSTE FINO

La manija de ajuste de profundidad permite también ajustes finos, de 1/64" a 1/16".

Los ajustes finos son ideales para "rasurar" pequeñas cantidades de material cepillado. Por ejemplo, si su pieza cepillada tiene 3 1/16" de espesor, pero debería tener 3", ajuste su cepillo para quitar el 1/16" excesivo.

- Cepille y mida su pieza de trabajo. En este ejemplo, el espesor final es de 3 1/16".
- Gire la etiqueta circular de la manija de ajuste de profundidad hasta que la marca "0" quede alineada con la flecha de la parte superior de la herramienta (figura 10). No haga ningún otro ajuste al cepillo.
- Gire la manija de ajuste de profundidad en el sentido de las manecillas del reloj hasta que la marca de 1/16" quede alineada con la flecha.
- Cepille su pieza. El espesor final deberá ser de 3".

ESCALA DE REMOCION DE MATERIAL

Su cepillo está equipado con una escala de remoción de material, que indica la cantidad de madera que se elimina en la operación del cepillado (fig. 11). Asegúrese que la pieza de trabajo esté bajo la etiqueta calibradora de remoción de material que se encuentra al frente de la herramienta. La lectura del calibrador de remoción de material se hace a la derecha de esta etiqueta.

TOPE DE TORRETA

Su cepillo está equipado con un tope de torreta (fig. 12) para operaciones de cepillado repetitivas con profundidades preestablecidas. Los topes se han fijado a 0", 1/4" (6,3 mm), 1/2" (12,7 mm) y 3/4" (19 mm). Utilice la posición 0" cuando cepille entre 3,1 y 6,3 mm (1/8" y 1/4"). Para ajustar una profundidad específica con el tope de torreta:

- Gire el tope de torreta hasta ver la medida que desea.
- Desasegure la palanca del seguro de la cabeza y gire la palanca de ajuste de profundidad hasta que haga contacto con el tope de torreta. No gire la manija más allá de su punto de paro.
- Cepille la pieza de trabajo y mida el espesor final. Haga los ajustes pertinentes.

El tope de torreta de 19 mm (3/4") puede ajustarse para otros espesores de cepillado. Ajustar el tope de torreta de 19 mm (3/4") no afecta los otros ajustes de los otros topes. Para ajustar el tope de 19 mm (3/4") para otros espesores:

- Desasegure la palanca del seguro de la cabeza (fig. 8) y gire la manija de ajuste en sentido contrario a las

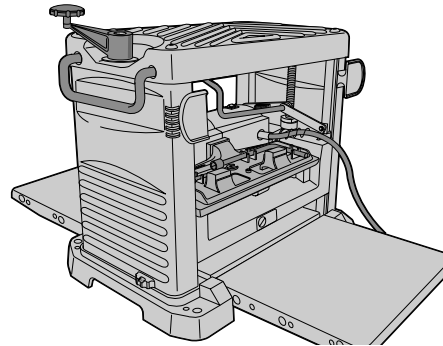
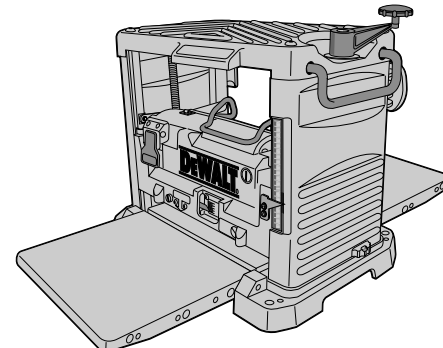
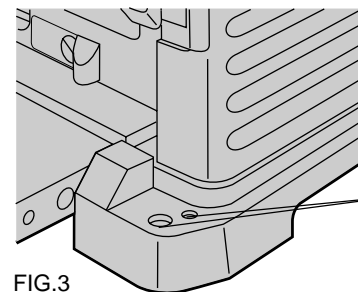
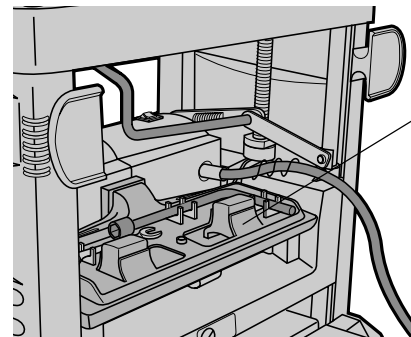


FIG.1



CHAROLA DE HERRAMIENTAS

FIG. 2



ORIFICIOS PARA MONTAJE EN BANCO

FIG.3

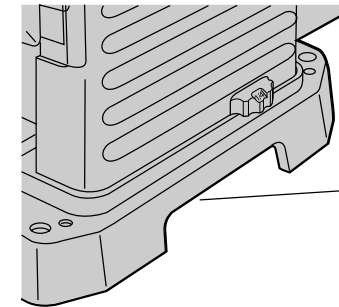


FIG. 4

HUECO PARA LAS MANO

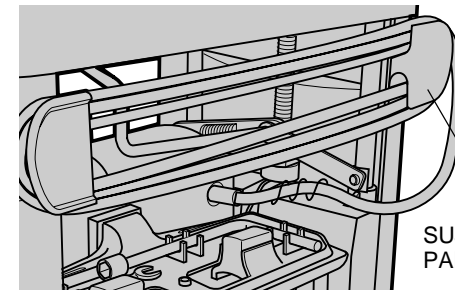
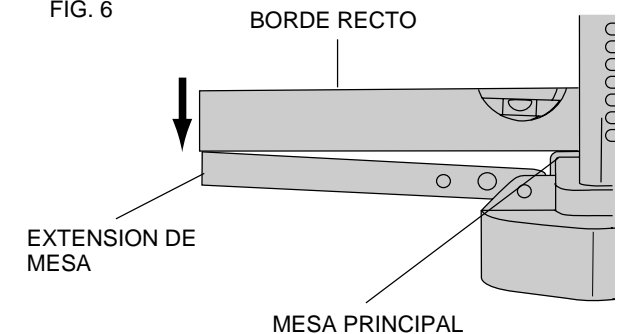


FIG. 5

SUJETADOR PARA EL CABLE

FIG. 6



BORDE RECTO

EXTENSION DE MESA

MESA PRINCIPAL

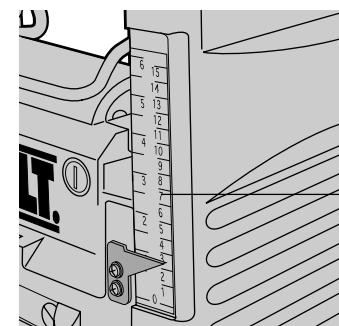


FIG. 7

ESCALA DE AJUSTE DE PROFUNDIDAD

FIG. 8

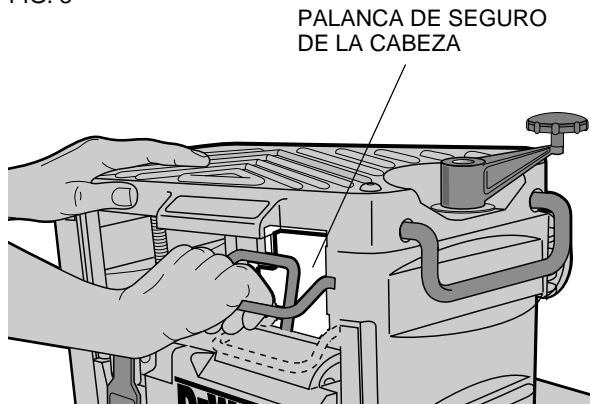


FIG. 9

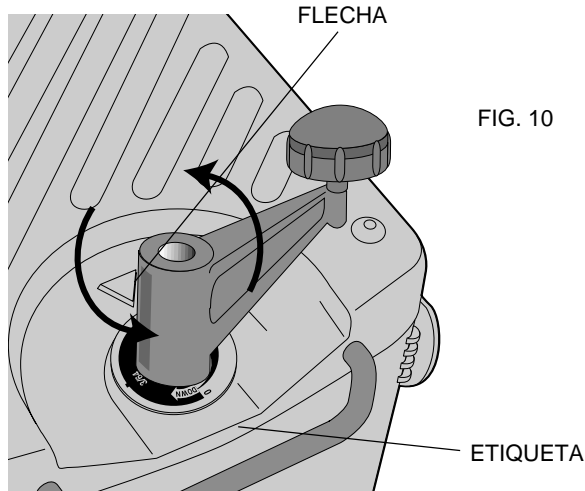
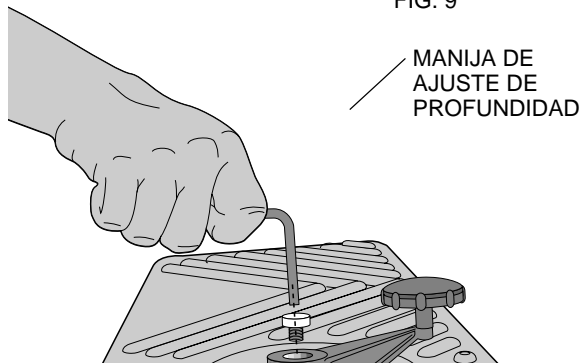


FIG. 10

manecillas del reloj para subir la cabeza de corte (fig. 9) completamente.

- Desde la parte trasera de la herramienta, coloque el tornillo de ajuste de torreta mostrado en la figura 12. Este tornillo está ajustado para una profundidad de corte de 19 mm (3/4") desde la fábrica. Afloje la tuerca de seguridad u ajuste el tornillo hacia arriba o hacia abajo hasta alcanzar la profundidad de cepillado que desee.
- Gire la palanca de ajuste de profundidad en el sentido de las manecillas del reloj hasta que haga contacto con el tope de torreta. No gire la manija más allá de su punto de contacto.
- Cepille su pieza de trabajo y mida su espesor al terminar. Haga los ajustes necesarios, en caso necesario repita los pasos descritos anteriormente.

NOTA: Para obtener mejores resultados, haga varias pasadas, cepillando ambas caras de la pieza de trabajo. Consulte la sección "Técnica correcta de cepillado" más adelante.

Interruptor de encendido y apagado

Para encender el cepillo, suba el interruptor, como se observa en la figura 13. El cepillo se queda encendido. Para apagar la herramienta, oprima el interruptor hacia abajo. Se ha provisto un orificio en el interruptor para colocar un candado para asegurar el cepillo (figura 13).

Técnica correcta de cepillado

⚠ADVERTENCIA: Solamente cepille madera libre de objetos extraños, sin nudos sueltos y con tan pocos nudos como sea posible. No cepille madera que esté muy pandeada, doblada con nudos o arqueada.

Su cepillo funciona mejor con madera que tenga por lo menos una superficie plana. Si ambos lados de su pieza de trabajo están rugosos, utilice una ensambladora para nivelar una superficie.

Para obtener mejores resultados, cepille ambos lados de la pieza de trabajo para alcanzar el espesor deseado. Por ejemplo, si necesita eliminar 1/8" de su pieza, cepille 1/16" de cada lado. Esto no sólo permitirá que la pieza quede con un contenido de humedad uniforme, sino que también produce cortes más finos.

NOTA: No se recomienda cepillar material con ancho menor a 19 mm (3/4"). Si debe cepillar material angosto, una las piezas y cepíllelas con una pieza más ancha, siempre que sea posible.

Siga las guías de profundidad de corte y ancho señaladas en el cuadro A para obtener mejores resultados.

MORDIDAS EN LA MADERA

Esta es una depresión que resulta cuando los extremos de la pieza de trabajo hacen contacto con las cuchillas de la cabeza de corte. Ocurre cuando el peso sin apoyo de la

pieza de trabajo ocasiona que se levante de la mesa, hacia la cabeza de corte.

Para evitarlo:

- Conserve la pieza de trabajo nivelada durante toda la operación de cepillado.
- Asegúrese que las extensiones de la mesa estén niveladas con la mesa principal (consulte: Nivelado de las extensiones de la mesa).
- Alimente la pieza en plano contra las mesas del cepillo.

MADERA PANDEADA

La madera pandeada no sólo puede atascar el cepillo, puede ocasionar variaciones al espesor final de la pieza. Si el cepillo se atasca, apague el interruptor y desconecte el cepillo de la alimentación de corriente.

Si su pieza de trabajo no está pandeada o está pandeada ligeramente, cepille ambos lados del tablón para obtener el espesor deseado. Alimente siempre la pieza al hilo.

La madera curva es similar a la pieza ilustrada en la figura A. La madera doblada es similar a la pieza de la figura B.

Ajustes

Cambio de cuchillas

REMOCION DE CUCHILLAS

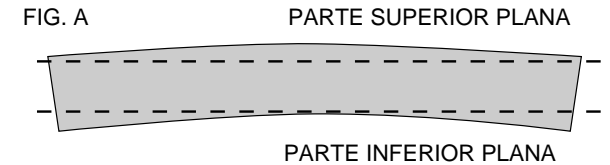
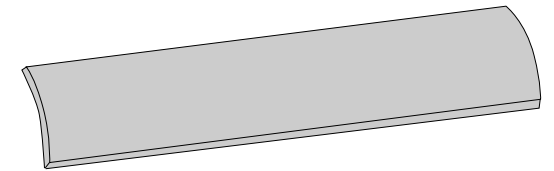
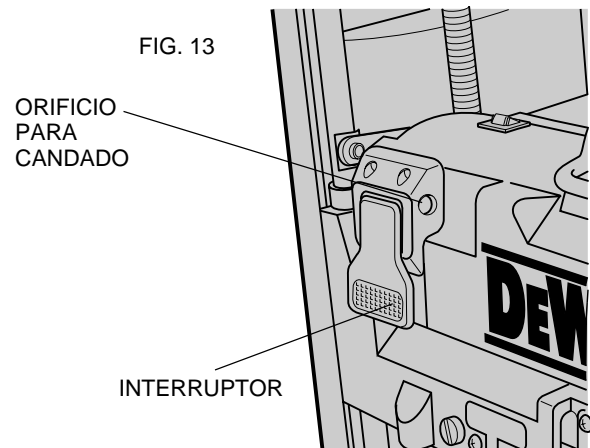
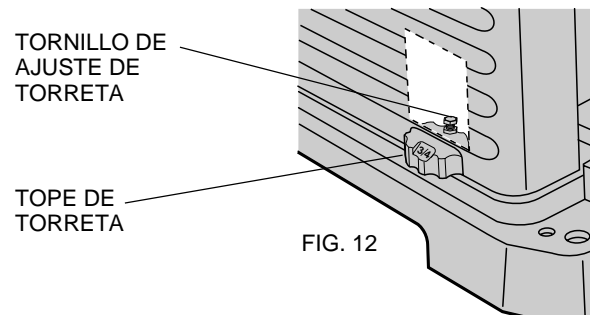
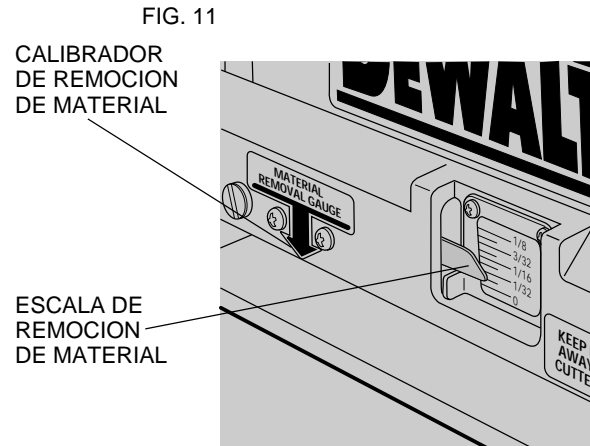
Su cepillo está equipado con dos cuchillas montadas a una cabeza de corte giratoria. Para quitar las cuchillas:

- 1) Apague y desconecte el cepillo. Levante hacia arriba, o a la posición de seguro fuera la palanca del seguro de la cabeza de corte.
- 2) Ajuste la profundidad de corte hasta tener una lectura de aproximadamente 3" (76,2 mm) en la escala. Esto le dejará espacio suficiente para cambiar las cuchillas.
- 3) Saque los dos tornillos allen que se encuentran cerca de la charola de las herramientas, ilustrados en la figura 15. Levante cuidadosamente el canal de escape de polvo. **⚠PRECAUCION:** Al quitar el escape de polvo se dejan descubiertas las cuchillas.
- 4) Si no están visibles los ocho tornillos que se observan en la figura 16, gire cuidadosamente la cabeza de corte con sus dedos hasta dejar los tornillos visibles, ayudándose con una pieza de madera de desperdicio. Conserve sus dedos alejados de los filos de las cuchillas hasta que los ocho tornillos estén visibles.
- 5) Cuando los ocho tornillos mostrados en la figura 16 queden colocados como se ilustra, asegúrese que la palanca de seguridad de la cabeza de corte esté en posición asegurada y que la cabeza quede estable. Las cuchillas también se aseguran, evitando más movimientos.
- 6) Con la llave en forma de L que le suministramos, afloje, pero no quite los dos tornillos de los extremos mostrados en la figura 17.

- 7) Saque con cuidado los seis tornillos de enmedio.
⚠️ ADVERTENCIA: La cuchilla está colocada sobre un mecanismo de resorte, y puede avanzar hacia usted al quitar los seis tornillos.
- 8) Presione la palanca del seguro de la cabeza de corte (figura 18) hacia abajo, hacia la cuchilla y ruede la cabeza de corte con delicadeza hacia atrás hasta que pueda retirar la cuchilla.
- 9) Presione la palanca del seguro de la cabeza de corte (figura 18) y ruede la cabeza hasta que el otro montaje de cuchilla quede visible. Retire esta cuchilla siguiendo los pasos descritos anteriormente.

REEMPLAZO DE LAS CUCHILLAS

- 1) Coloque la cabeza de corte como se observa en la figura 19.
- 2) Deslice con cuidado la cuchilla nueva hacia la cabeza de corte, como se muestra en la figura 20.
- 3) Coloque los dos calibradores de cuchillas magnéticos (se encuentran en la charola de herramientas) sobre la cabeza de corte como se indica en la figura 21. Asegúrese que el borde plano del calibrador esté en contacto con el borde plano de la cabeza de corte (figura 21A). Esto posiciona la cuchilla correctamente sobre la cabeza de corte.
- 4) Apriete con firmeza los dos tornillos de los extremos, con la llave española que le proporcionamos, como se observa en la figura 22.
- 5) Saque los calibradores de cuchillas y gire la cabeza de corte de vuelta a la posición que se muestra en la figura 18. Reemplace y reapriete los seis tornillos de enmedio. Los tornillos deben quedar apretados a un torque de 50 in. lbs. (5,7 N-m).
- 6) Presione la palanca del seguro de la cuchilla (figura 18) hacia abajo y gire la cabeza de corte hasta que el montaje de la otra cuchilla quede visible. Reemplace esta cuchilla siguiendo los pasos descritos anteriormente.



LA MADERA DOBLADA SERA APLANADA POR LOS RODILLOS DE ALIMENTACION Y LA CABEZA DE CORTE...

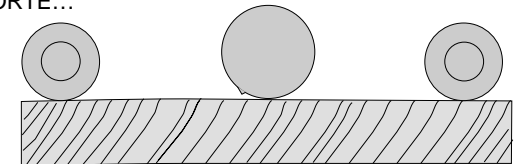


FIG. B ...PERO EL DOBLEZ REAPARECERA DESPUES DE HABERLA CEPILLADO

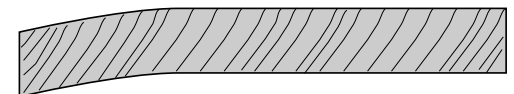
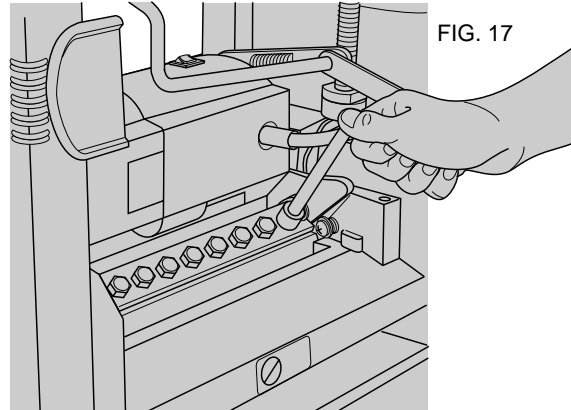
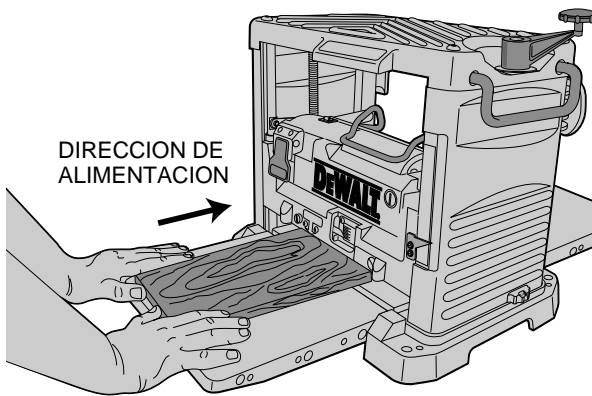
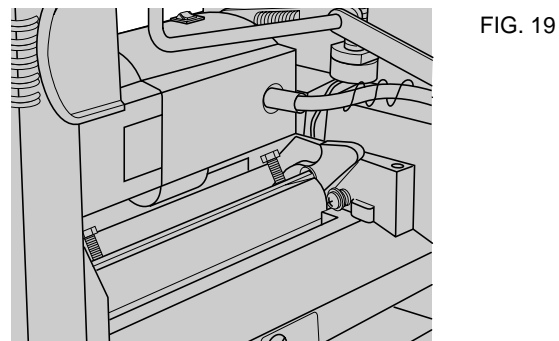
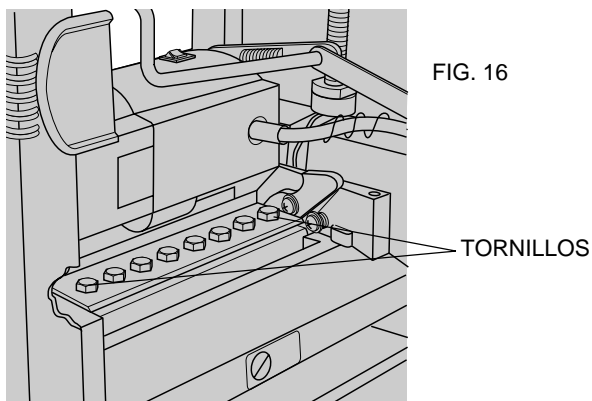
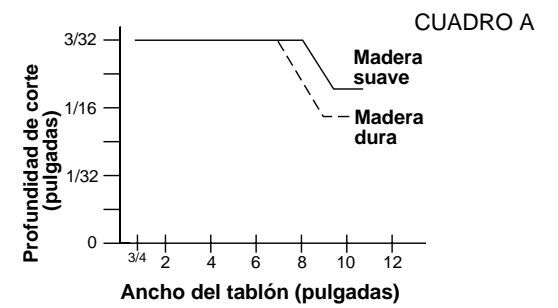
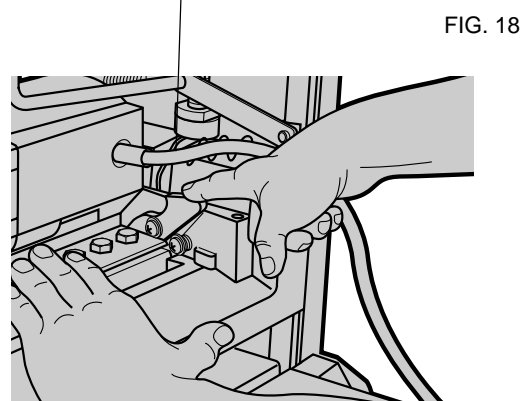
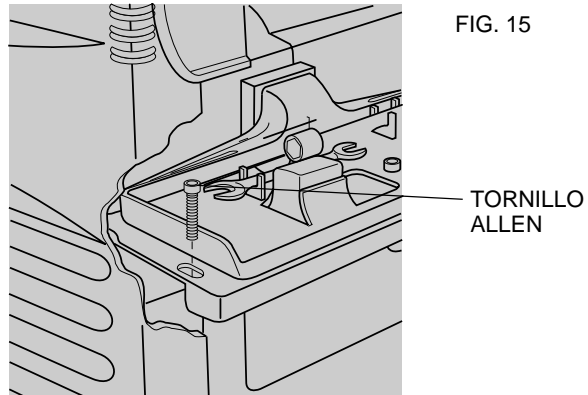
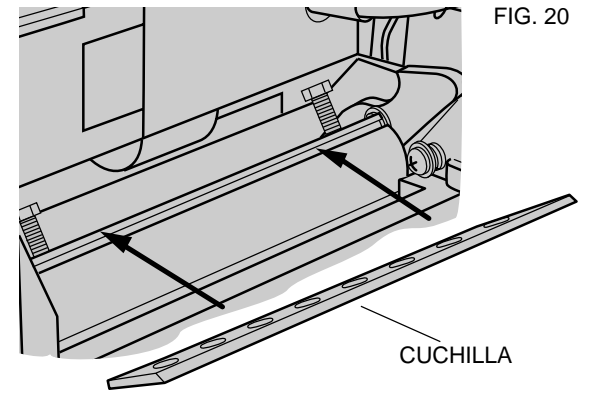


FIG. 14



PALANCA DEL SEGURO DE LA CABEZA DE CORTE



AFILADO DE LAS CUCHILLAS

Las cuchillas de su cepillo tienen 3 mm (1/8") de material adicional para poder afilarlas. Asegúrese de afilar las cuchillas con el mismo ángulo de 42°. Las cuchillas de repuesto DEWALT (No. Cat. DW7332) están a su disposición con costo adicional con su distribuidor o centro de servicio local.

Instalación de una nueva correa

1. APAGUE Y DESENCHUFE EL CEPILLO.
2. Saque los dos tornillos superiores Phillips de la parte frontal y posterior al lado derecho del cepillo.
3. Levante la cubierta hacia arriba y jale el fondo de la ranura.

NOTA: No se necesitan herramientas para instalar la correa. El uso de un destornillador o alguna otra herramienta puede dañar las poleas y en última instancia destruir la nueva correa.

4. Vea los surcos en la correa.
5. **Ilustración 27** - Entre la correa en la polea superior (A) tal como se muestra en la ilustración 1 con 3 surcos en la polea.
6. **Ilustración 28** - Pase la correa entre la polea inferior y el tornillo de ajuste de la altura (B).
7. Con 3 surcos puestos en la polea superior, rótelas en dirección de las manecillas del reloj.
8. Haga presión sobre el borde de la correa para mantener los surcos conectados a la polea menor.
9. **Ilustración 29** - Continúe haciendo presión sobre el borde de la correa y rote la polea grande mientras hace saltar la correa hacia las otras poleas.
10. En la posición final, todos los surcos de la correa deben estar engranados. Las poleas deben rotar sin dificultad.
11. Vuelva a poner la cubierta lateral y los tornillos. No apriete demasiado los tornillos.

Calibración de la escala de ajuste de profundidad

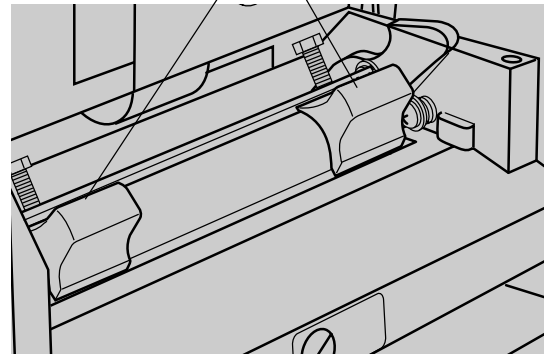
La escala de ajuste de profundidad de su cepillo se ajusta en la fábrica. Sin embargo, con el uso continuo, puede mostrar lecturas imprecisas.

Para verificar la escala de ajuste de profundidad, cepille una pieza de madera, fijándose en la lectura que presenta la escala.

Mida el espesor de la pieza; si el espesor de la pieza no corresponde con la lectura que presenta la escala, afloje los dos tornillos con cabeza phillips que se muestran en la figura 23. Ajuste el prisma hacia arriba o hacia abajo hasta que la lectura concuerde con el espesor de la pieza. Re apriete con firmeza los tornillos.

CALIBRADORES DE CUCHILLAS

FIG. 21



CALIBRADOR DE LA CUCHILLA

CUCHILLA

CABEZA DE CORTE

FIG. 21A

ASEGURESE QUE LA PARTE PLANA DE LA GUARDA DE LA CUCHILLA CONCUERDE CON LA PARTE PLANA DE LA CABEZA DE CORTE

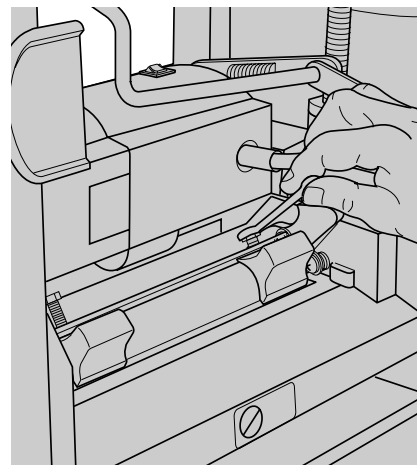


FIG. 22

FIG. 23

TORNILLOS DE CABEZA PHILLIPS

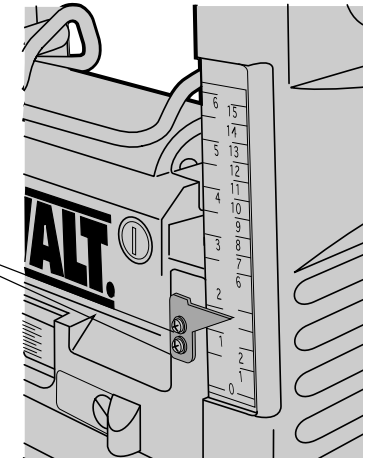


FIG. 24

TORNILLOS DE SOPORTE DE LA EXTENSION DE LA MESA

TUERCA DE SEGURIDAD

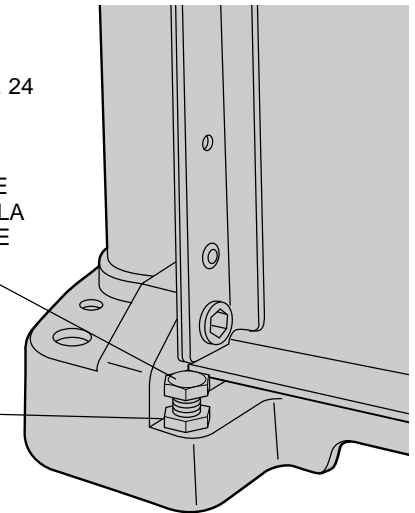


FIG. 25

BOTON DE RESTABLECIMIENTO

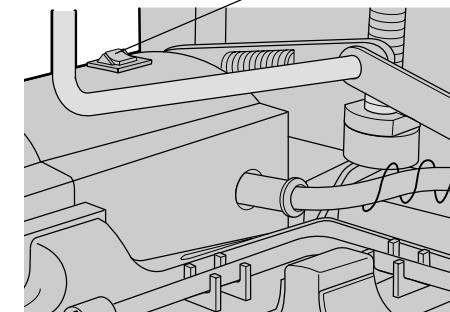


FIG. 26

TAPA DE INSPECCION DE CARBONES

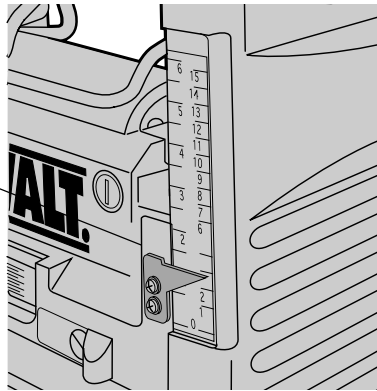


FIG. 27

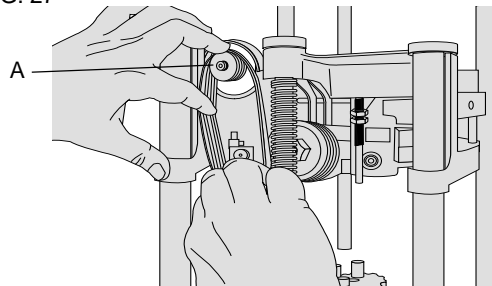


FIG. 28

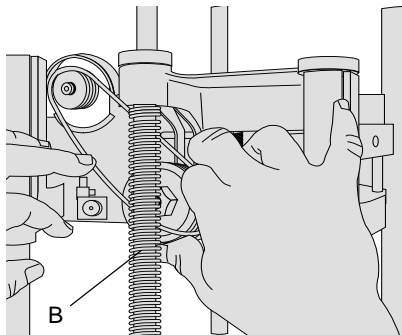
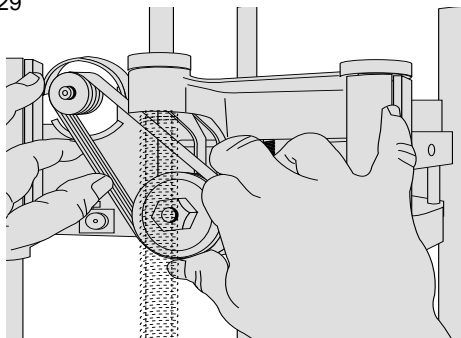


FIG. 29



Nivelado de las extensiones de la mesa

Después de usar continuamente el cepillo, las extensiones de la mesa pueden desnivelarse ligeramente. Para asegurar que las mesas estén niveladas, coloque una regla en la extensión. La regla debe hacer contacto con el borde de la extensión y con el borde de la mesa principal (figura 6). Al nivelar, oprima hacia abajo el borde de las extensiones de la mesa para eliminar cualquier juego. Para obtener mejores resultados, utilice un nivel con la longitud suficiente para que haga contacto con los bordes de ambas extensiones de la mesa.

Si la extensión no está nivelada, ajuste los tornillos de soporte de la extensión hacia arriba o hacia abajo (figura 24).

Botón de restablecimiento

Su cepillo está equipado con un interruptor de 18 amperes. Si se sobrecarga y deja de funcionar, apáguelo y oprima el botón de restablecimiento (figura 25).

Mantenimiento

CARBONES

Revise regularmente los carbones; desconecte la unidad, retire la tapa de inspección de los carbones (figura 26) y saque el montaje de los éstos. Conserve los carbones limpios y deslizándose libremente en sus guías. Coloque de nuevo un carbón siempre con la misma orientación que tenía en el portacarbones anteriormente. Los carbones tienen varios símbolos estampados a sus lados, cuando se hayan desgastado hasta la línea más cercana al resorte, debe reemplazarse. Solamente emplee carbones DeWALT idénticos.

Los centros de servicio DeWALT cuentan con montajes de carbones nuevos. Debe permitirse a la herramienta funcionar "sin carga" durante 10 minutos para que se asienten los carbones nuevos.

MESA

Conserve la mesa limpia y libre de aceite y grasa. Trate la mesa con cera en pasta para ayudar a conservar su acabado liso.

Importante

Para garantizar la SEGURIDAD y la CONFIABILIDAD, deberán hacerse reparaciones, mantenimiento y ajustes de esta herramienta en los centros autorizados de servicio DeWALT u otras organizaciones autorizadas. Estas organizaciones prestan servicio a las herramientas DeWALT y emplean siempre refacciones legítimas DeWALT.

Accesorios

Dispone usted de los accesorios recomendados para su herramienta con cargo adicional con su distribuidor o en su centro de servicio locales. Si necesita usted ayuda para encontrar algún accesorio para su herramienta, por favor

haga contacto con:
DeWALT Industrial Tool Co., 701 East Joppa Road,
Baltimore, MD 21286

⚠ PRECAUCIÓN: El empleo de cualquier accesorio no recomendado para esta herramienta puede ser peligroso.

PARA REPARACION Y SERVICIO DE SUS HERRAMIENTAS ELECTRICAS FAVOR DE DIRIGIRSE AL CENTRO DE SERVICIO MAS CERCANO

CULIACAN	(91 671) 242 10
Av. Nicolas Bravo #1063 Sur	
GAUDALAJARA	(91 3) 826 69 78.
Av. La Paz #1779	
MEXICO	588-9377
Eje Lázaro Cárdenas No. 18 Local D, Col. Obrera	
MERIDA	(91 99) 23 54 90
Calle 63 #459-A	
MONTERREY	(91 83) 72 11 25
Av. Francisco I. Madero Pte. 1820-A	
PUEBLA	(91 22) 46 37 14
17 Norte #205	
QUERETARO	(91 42) 14 16 60
Av. Madero 139 Pte.	
SAN LOUIS POTOSI	(91 48) 14 25 67
Pedro Moreno #100 Centro	
TORREON	(91 17) 16 52 65
Bld. Independencia, 96 pte.	
VERACRUZ	(91 29) 21 70 16
Prolongación Diaz Miron #4280	
VILLAHERMOSA	(91 93) 12 53 17
Constitucion 516-A	

PARA OTRAS LOCALIDADES LLAME AL: 326 7100

Póliza de Garantía

IDENTIFICACIÓN DEL PRODUCTO:

Sello o firma del Distribuidor.

Nombre del producto: _____ Mod./Cat.: _____

Marca: _____ Núm. de serie: _____

(Datos para ser llenados por el distribuidor)

Fecha de compra y/o entrega del producto: _____

Nombre y domicilio del distribuidor donde se adquirió el producto: _____

Este producto está garantizado por un año a partir de la fecha de entrega, contra cualquier defecto en su funcionamiento, así como en materiales y mano de obra empleados para su fabricación. Nuestra garantía incluye la reparación o reposición del producto y/o componentes sin cargo alguno para el cliente, incluyendo mano de obra, así como los gastos de transportación razonablemente erogados derivados del cumplimiento de este certificado.

Para hacer efectiva esta garantía deberá presentar su herramienta y esta póliza sellada por el establecimiento

comercial donde se adquirió el producto, de no contar con ésta, bastará la factura de compra.

EXCEPCIONES.

Esta garantía no será válida en los siguientes casos:

- Cuando el producto se hubiese utilizado en condiciones distintas a las normales;
- Cuando el producto no hubiese sido operado de acuerdo con el instructivo de uso que se acompaña;
- Cuando el producto hubiese sido alterado o reparado por personas distintas a las enlistadas al final de este certificado.

Anexo encontrará una relación de sucursales de servicio de fábrica, centros de servicio autorizados y franquiciados en la República Mexicana, donde podrá hacer efectiva su garantía y adquirir partes, refacciones y accesorios originales.

Garantía Completa

Las herramientas industriales DeWalt están garantizadas durante un año a partir de la fecha de compra. Repararemos, sin cargos, cualquier falla debida a material o mano de obra defectuosos. Por favor regrese la unidad completa, con el transporte pagado, a cualquier Centro de Servicio para Herramientas Industriales de DeWalt o a las estaciones de servicio autorizado enlistadas bajo "Herramientas Eléctricas" en la Sección Amarilla. Esta garantía no se aplica a los accesorios ni a daños causados por reparaciones efectuadas por terceras personas. Esta garantía le otorga derechos legales específicos, y usted puede tener otros derechos que pueden variar de estado a estado.

En adición a la garantía, las herramientas DEWALT están amparadas por nuestra:

GARANTÍA DE SATISFACCIÓN SIN RIESGO POR 30 DÍAS

Si usted no se encuentra completamente satisfecho con el desempeño de su herramienta industrial DeWalt, sencillamente devuélvala a los vendedores participantes durante los primeros 30 días después de la fecha de compra para que le efectúen un reembolso completo. Por favor regrese la unidad completa, con el transporte pagado. Se puede requerir prueba de compra.

Especificaciones

DW733

Tensión de alimentación	120 V CA~
Potencia nominal:	1 674 W
Consumo de corriente:	15,0 A
Frecuencia de operación:	60 Hz

IMPORTADO: DeWALT S.A. DE C.V.
BOSQUES DE CIDROS ACCESO RADIATAS NO. 42
COL. BOSQUES DE LAS LOMAS.
05120 MÉXICO, D.F.
TEL. 326-7100

Para servicio y ventas consulte
"HERRAMIENTAS ELECTRICAS"
en la sección amarilla.

