



Type 6011 can be combined with...



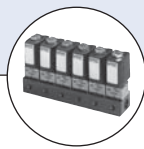
#### Type 2516

Cable plug to  
DIN EN 175301-803\*  
form C



#### Type 2507

Cable plug industrial  
standard form B



#### Type 6012

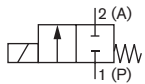
Multiple manifold  
(e.g. 6-fold)

## Direct-acting 2/2 way plunger valve

- Direct-acting and compact small-format valve with diameter of up to DN 2.4
- Vibration-proof, bolted coil system
- Simple and quick flange or manifold installation
- Quick coupling (push-in fitting) for plug-in hose connections

Valve 6011 is a direct-acting plunger valve. The stopper and plunger guide tube are welded together to enhance pressure resistance and leak-tightness. Various seal material combinations are available depending on the application. A Bürkert-specific flange design (SFB) enables space-saving arrangement of valves on a manifold. Push-in fittings can be selected for flexible hose connection. The coils are moulded with polyamide. In combination with a plug in accordance with DIN EN 175301-803 Form B or C, the valves satisfy protection class IP65.

#### Circuit function A



2/2 way direct-acting  
solenoid valve,  
normally closed

Technical data	
<b>Body material</b>	
Type 6011	brass, polyamide (PA), stainless steel 1.4305
Type 6011 A	brass, stainless steel 1.4305
<b>Sealing material</b>	FKM
<b>Analytical version (Typ 6011 A)</b>	version free from silicones, oil and grease leaktightness better than $10^{-4}$ mbar l/s
<b>Limit value for remainder carbon (Type 6011 A)</b>	<0,2 mg/dm <sup>2</sup>
<b>Medium</b>	
Type 6011	<ul style="list-style-type: none"> <li>▪ technical vacuum</li> <li>▪ neutral gases and fluids (e.g. compressed air, water hydraulic oil)</li> <li>▪ neutral/aggressive media that do not attack the body and seal materials</li> </ul>
Type 6011 A	
<b>Medium temperature</b>	-10 ... +100 °C
<b>Ambient temperature</b>	max. +55 °C
<b>Viscosity</b>	max. 21 mm <sup>2</sup> /s
<b>Port connection</b>	
Type 6011	M5, G1/8, sub-base
Type 6011 A	G1/8, sub-base
<b>Operating voltage</b>	
Type 6011	24 V DC, 24 V/50 Hz, 110 / 230 V / 50 Hz
Type 6011 A	24 V DC, 230 V / 50 Hz
<b>Voltage tolerance</b>	± 10%
<b>Duty cycle/single valve</b>	
when mounted as a block on a manifold	100 % continuous rating Intermittent operation 60 % (30 min) or with 2 W coil (on request)
<b>Electrical connection</b>	<ul style="list-style-type: none"> <li>▪ to DIN EN 175301-803* Form C for cable plug Type 2516 (see Ordering chart for Accessories)</li> <li>▪ Form B (industrial standard) for Type 2507 (see Ordering chart for Accessories)</li> </ul>
<b>Installation</b>	as required, preferably with actuator upright
<b>Assembly</b>	no oil, grease or silicones to be used as installation aids
<b>Mass</b>	ca. 125 g
<b>Protection class</b>	IP65 with cable plug

\* previously DIN 43650

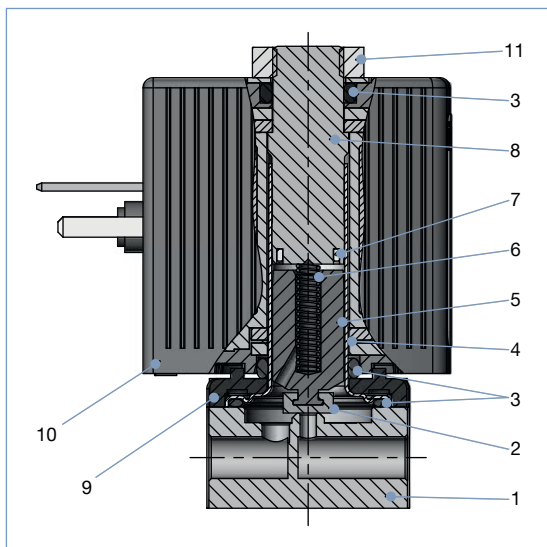
## Response times

Orifice [mm]	K <sub>v</sub> value water [m <sup>3</sup> /h]	Pressure range		Coil power [W]	Power consumption			Response times		
		for AC [bar]	for DC [bar]		Inrush AC [VA]	Hold AC (hot coil) [VA]	DC (hot/cold coil) [W]	Opening [ms]	Closing [ms]	
1.2	0.045	0-21	0-12	4 W	9	6	4	4/5.5	7-10	10-15
1.6	0.06	0-12	0-6	4 W	9	6	4	4/5.5	7-10	10-15
2.0	0.11	0-8	0-4.5	4 W	9	6	4	4/5.5	7-12	7-12
2.4	0.13	0-6	0-3	4 W	9	6	4	4/5.5	7-12	7-12

<sup>1)</sup> Pressure data [bar]: Overpressure with respect to atmospheric pressure

- k<sub>v</sub> value [m<sup>3</sup>/h]: Flow rate value for water, measured at +20 °C and 1 bar<sup>1)</sup> pressure differential over a fully opened valve.
- Response times [ms]: measured at valve outlet at 6 bar<sup>1)</sup> and +20 °C  
Opening: pressure build-up 0 ... 90 %, closing: pressure relief 100 ... 10 %

## Material

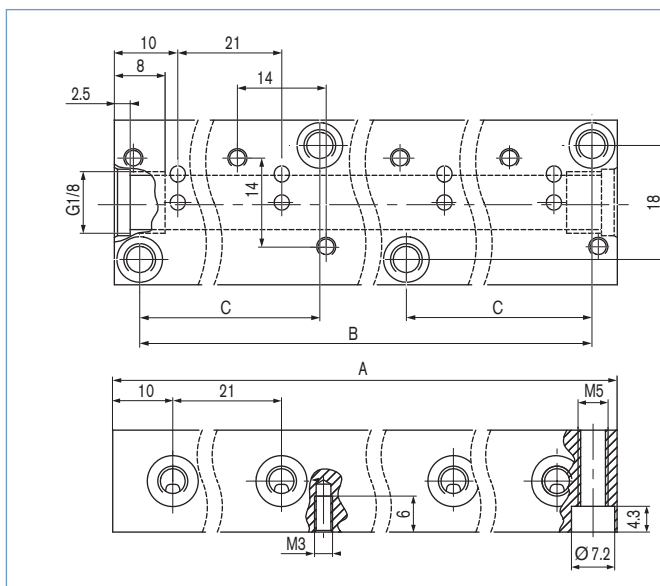


1	Body	Brass, stainless steel 1.4305 PA (polyamide)
2	Armature seal	FKM
3	O-ring	FKM
4	Guide tube	Stainless steel 1.4303
5	Core	Stainless steel 1.4105
6	Spring	Stainless steel 1.4310
7	Shading ring	Copper, Silver
8	Stopper	Stainless steel 1.4105
9	Sub-base	Thick-film passivated (brass version) nickel-plated surface (stainless steel version)
10	Coil	DIN EN 175301-803* form C Form B (industr. standard)
		PA Epoxy
11	Locknut	9SMnPb28K Thick-film passivated

\* previously DIN 43650

## Dimensions [mm]

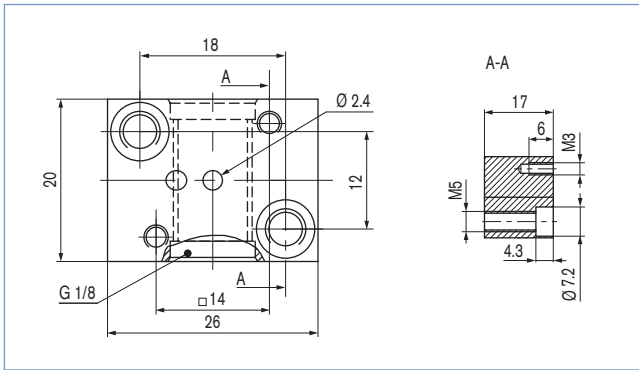
### Multiple manifold



No. of valves	A [mm]	B [mm]	C [mm]
1	20	12	-
2	41	33	-
3	62	54	-
4	83	75	-
5	104	96	-
6	125	117	-
7	146	138	-
8	167	159	54
9	188	180	54
10	209	201	75
11	230	222	75
12	251	243	96

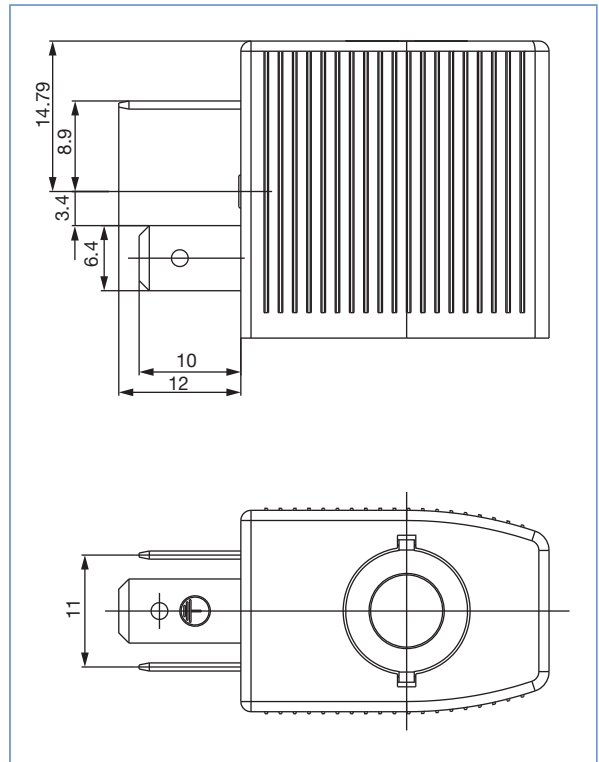
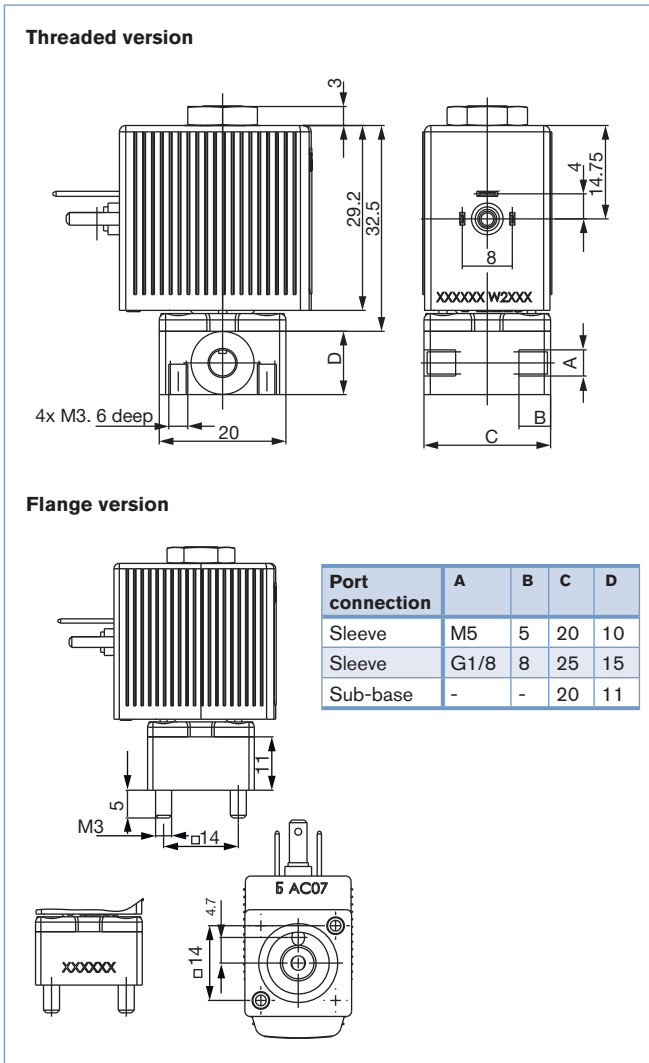
Dimensions [mm]

Single manifold



Type 6011 / 6011 A  
Version with electrical coil connection  
to DIN EN 175301-803\* form C  
(cable plug type 2516)

Type 6011 / 6011 A  
Version with electrical coil connection  
Form B industrial standard  
(cable plug type 2507)



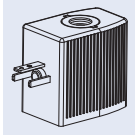
DTS 1000011026 EN Version: M Status: RL (released | freigegeben | valide) printed: 15.03.2017

\* previously DIN 43650

## Ordering chart

## Type 6011

Solenoid valve complete in ported or flanged version with electrical coil connection to DIN EN 175301-803\* Form C for cable plug Type 2516



- All valves complete with coil and FKM seal material; without cable plug
- Other versions on request.

Circuit function	Orifice [mm]	Port connection	Kv value water [m <sup>3</sup> /h]	Pressure range [bar] <sup>1)</sup>	Voltage/Frequency [V/Hz]	Item no. Brass body	Item no. Stainless steel body
A 	1.2	M5	0.045	0-12	24/DC	134 084	-
				0-21	24/50	134 085	-
				0-21	110/50	134 086	-
				0-21	230/50	134 087	-
	1.6	M5	0.06	0-6	24/DC	134 088	-
				0-12	24/50	134 089	-
				0-12	110/50	134 090	-
				0-12	230/50	134 091	-
		G1/8	0.06	0-6	24/DC	134 071	134 103
				0-12	24/50	134 092	134 104
				0-12	110/50	134 093	134 105
				0-12	230/50	134 094	134 106
	2.0	G1/8	0.11	0-4.5	24/DC	134 095	134 107
				0-8	24/50	134 096	134 108
				0-8	110/50	134 097	134 109
				0-8	230/50	134 098	134 110
	2.4	G1/8	0.13	0-3	24/DC	134 099	134 111
				0-6	24/50	134 100	134 112
				0-6	110/50	134 101	134 113
				0-6	230/50	134 102	134 114
	1.2	sub-base	0.045	0-12	24/DC	134 115	-
				0-21	24/50	134 116	-
				0-21	110/50	134 117	-
				0-21	230/50	134 118	-
1.6	sub-base	0.06	0-6	24/DC	134 119	134 131	
			0-12	24/50	134 120	134 132	
			0-12	110/50	134 121	134 133	
			0-12	230/50	134 122	134 134	
2.0	sub-base	0.11	0-4.5	24/DC	134 123	134 135	
			0-8	24/50	134 124	134 136	
			0-8	110/50	134 125	134 137	
			0-8	230/50	134 126	134 138	
2.4	sub-base	0.13	0-3	24/DC	134 127	-	
			0-6	24/50	134 128	-	
			0-6	110/50	134 129	-	
			0-6	230/50	134 130	-	

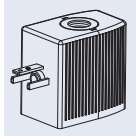
<sup>1)</sup> Pressure data [bar]: Overpressure with respect to atmospheric pressure

<sup>2)</sup> previously DIN 43650

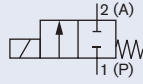
## Ordering chart

## Type 6011 A

Solenoid valve complete in threaded or flanged version with electrical coil connection to DIN EN 175301-803\* Form C for cable plug Type 2516



- All valves complete with coil (4 W) and FKM seal material; without cable plug
- Other versions on request.



Circuit function	Orifice [mm]	Port connection	Kv value water [m <sup>3</sup> /h]	Pressure range [bar] <sup>1)</sup>	Voltage/Frequency [V/Hz]	Item no. Brass body	Item no. Stainless steel body
A	1.6	G1/8	0.06	0-6	24/DC	137 794	137 800
				0-12	230/50	137 795	137 801
	2.0	G1/8	0.11	0-4.5	24/DC	137 796	137 802
				0-8	230/50	137 797	137 803
	2.4	G1/8	0.13	0-3	24/DC	137 798	137 804
				0-6	230/50	137 799	137 805
	1.2	sub-base	0.045	0-12	24/DC	137 806	137 812
				0-21	230/50	137 807	137 813
	1.6	sub-base	0.06	0-6	24/DC	137 808	137 814
				0-12	230/50	137 809	137 815
2.0	sub-base	0.11	0-4.5	24/DC	137 810	137 816	
			0-8	230/50	137 811	137 817	

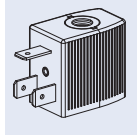
<sup>1)</sup> Pressure data [bar]: Overpressure with respect to atmospheric pressure

<sup>2)</sup> previously DIN 43650

## Ordering chart

## Type 6011

Solenoid valve complete in ported or flanged version with electrical coil connection Form B (industrial standard) for cable plug Type 2507



- All valves complete with coil and FKM seal material; without cable plug
- Other versions on request.

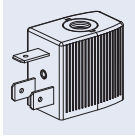
Circuit function	Orifice [mm]	Port connection	Kv value water [m <sup>3</sup> /h]	Pressure range [bar] <sup>1)</sup>	Voltage/Frequency [V/Hz]	Item no. Brass body	Item no. Stainless steel body
	1.2	M5	0.045	0-12	24/DC	163 491	-
				0-21	24/50	163 492	-
				0-21	110/50	163 493	-
				0-21	230/50	163 494	-
	1.6	M5	0.06	0-6	24/DC	163 495	-
				0-12	24/50	163 496	-
				0-12	110/50	163 497	-
				0-12	230/50	163 498	-
		G1/8	0.06	0-6	24/DC	163 499	163 509
				0-12	24/50	163 500	163 510
				0-12	110/50	163 501	163 511
				0-12	230/50	163 502	163 512
	2.0	G1/8	0.11	0-4.5	24/DC	163 503	163 513
				0-8	24/50	163 504	163 514
				0-8	110/50	163 505	163 515
				0-8	230/50	163 506	163 516
	2.4	G1/8	0.13	0-3	24/DC	161 193	163 517
				0-6	24/50	163 507	163 518
				0-6	110/50	163 508	163 519
				0-6	230/50	161 194	163 520
	1.2	sub-base	0.045	0-12	24/DC	163 521	-
				0-21	24/50	163 522	-
				0-21	110/50	163 523	-
				0-21	230/50	163 524	-
	1.6	sub-base	0.06	0-6	24/DC	163 525	163 537
				0-12	24/50	163 526	163 538
				0-12	110/50	163 527	163 539
				0-12	230/50	163 528	163 540
2.0	sub-base	0.11	0-4.5	24/DC	163 529	163 541	
			0-8	24/50	163 530	163 542	
			0-8	110/50	163 531	163 543	
			0-8	230/50	163 532	163 544	
2.4	sub-base	0.13	0-3	24/DC	163 533	-	
			0-6	24/50	163 534	-	
			0-6	110/50	163 535	-	
			0-6	230/50	163 536	-	

<sup>1)</sup> Pressure data [bar]: Overpressure with respect to atmospheric pressure

## Ordering chart

## Type 6011 A

Solenoid valve complete in threaded or flanged version with electrical coil connection Form B (industrial standard) for cable plug Type 2507



- All valves complete with coil (4 W) and FKM seal material; without cable plug
- Other versions on request.

Circuit function	Orifice [mm]	Port connection	Kv value water [m <sup>3</sup> /h]	Pressure range [bar] <sup>1)</sup>	Voltage/Frequency [V/Hz]	Item no. Brass body	Item no. Stainless steel body
A 	1.6	G1/8	0.06	0-6	24/DC	163 545	163 551
				0-12	230/50	163 546	163 552
	2.0	G1/8	0.11	0-4.5	24/DC	163 547	163 553
				0-8	230/50	163 548	163 554
	2.4	G1/8	0.13	0-3	24/DC	163 549	163 555
				0-6	230/50	163 550	163 556
	1.2	sub-base	0.045	0-12	24/DC	163 557	163 563
				0-21	230/50	163 558	163 564
	1.6	sub-base	0.06	0-6	24/DC	163 559	163 565
				0-12	230/50	163 560	163 566
	2.0	sub-base	0.11	0-4.5	24/DC	163 561	163 567
				0-8	230/50	163 562	163 568

<sup>1)</sup> Pressure data [bar]: Overpressure with respect to atmospheric pressure

## Ordering chart for accessories


## Manifolds

Material	No. of valves	Item no.
Aluminium anodized	1	005 312
	2	005 355
	3	005 313
	4	005 314
	5	005 315
	6	005 316
	7	005 893
	8	005 166
	9	005 241
	10	005 819
	11	005 242
	12	005 222

## Accessories for manifolds

Accessory	Features	Item no.
Blanking plug	with seal ring, G1/8	005 041
Cover plate	for unused valves	005 100


## Cable plug type 2516 to DIN EN 175301-803\* form C

	Circuitry	Voltage	Item no.
	None (standard)	0 - 250 V AC/DC	303 141
	with LED	12 - 24 V AC/DC	303 145
	with LED and varistor	12 - 24 V AC/DC	303 148
	with rectifier, LED and varistor	12 - 24 V AC/DC	303 142

- Supplied with cable plug: flat seal and fixing screw.
- Other versions of cable plug with circuitry acc. to DIN EN 175301-803\* Form C as well as detailed technical data - see datasheet Type 2516

<sup>\*)</sup> previously DIN 43650

## Cable plug type 2507 Form B (industrial standard)

	Circuitry	Voltage	Item no.
	None (standard)	2 - 250 V AC/DC	423 845
	with LED	24 V AC/DC	423 849
	with LED and freewheeling diode	12 - 24 V DC	423 851
	with rectifier, LED and varistor	12 - 24 V AC/DC	423 853

- Supplied with cable plug: flat seal and fixing screw.
- Other versions of cable plug with circuitry Form B (industrial standard) as well as detailed technical data - see datasheet Type 2507.

To find your nearest Burkert facility, click on the orange box →

[www.burkert.com](http://www.burkert.com)

In case of special application conditions, please consult for advice.

Subject to alterations.  
© Christian Bürkert GmbH & Co. KG

1703/8\_EU-en\_00891723