

## Air Hydraulic Booster

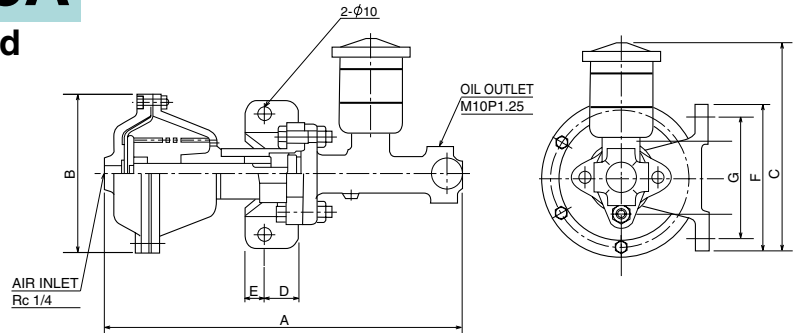
Increased hydraulic pressure can be obtained by supplying air, and control of disc brake is easily operated by ON-OFF of air.

### DB-3223A - 3233A

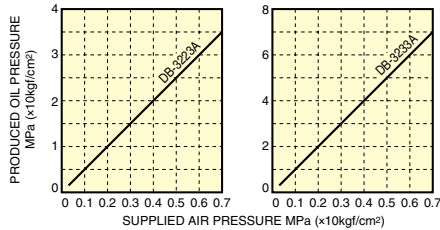
Air Applied Spring Released



DB-3233A



● CHARACTERISTIC CURVE



● DIMENSION LIST

Model Type	A	B	C	D	E	F	G	Discharge Oil Volume (cc)
DB-3223A	262	84	166	30	15	110	90	5
DB-3233A	269	118	166	30	15	110	90	5

Oil to be used: Use Brake Oil (Vegetable Oil). Also Brake for Mineral Oil are Available.

· Stand Type is also available.

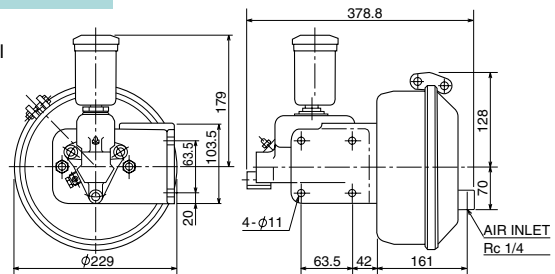
### DB-3246A - 3256A - 2277A

Air Applied Spring Released

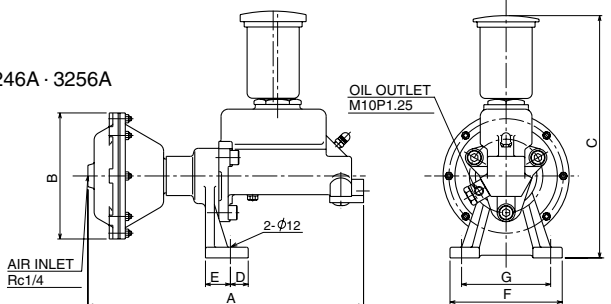


DB-3246A

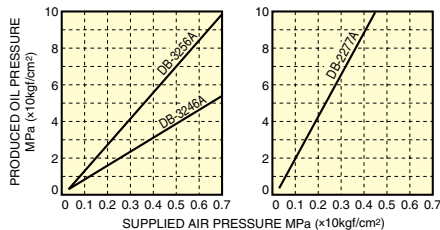
● DB-2277A  
Discharge Oil  
Volume 28cc



● DB-3246A - 3256A



● CHARACTERISTIC CURVE



● DIMENSION LIST

Model Type	A	B	C	D	E	F	G	Discharge Oil Volume (cc)
DB-3246A	308.5	141.5	272	20	28	125	100	19.4
DB-3256A	322.7	176.5	272	20	28	125	100	19.4

Oil to be used: Use Brake Oil (Vegetable Oil). Also Brake for Mineral Oil are Available.

· Dimensions and specifications might be changed for improvement without notice.

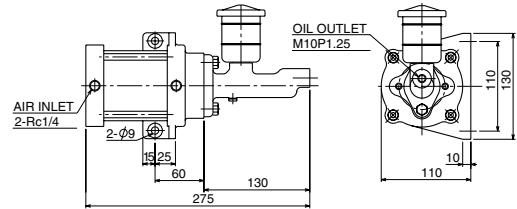
## DB-2334

### Air Hydraulic Booster (Double Action Type)



● SPECIFICATION

· USABLE FLUID	BRAKE FLUIDS (FOR CAR)
· MASTER CYLINDER	3/4B×35ST (DB-2204S/01)
· AIR CYLINDER	φ80×36ST
· BOOST RATIO	17.5
· MAX AIR PRESSURE (MPa)	0.7



Oil to be used: Use Brake Oil (Vegetable Oil).

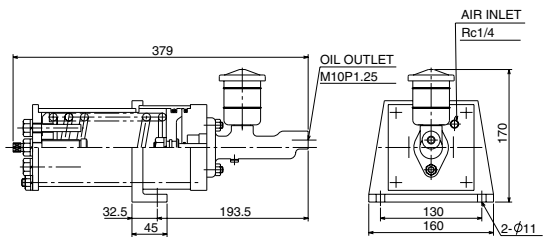
## DB-5244AF

### Spring Applied Pneumatic Release

High oil pressure can be obtained by built-in spring. And oil pressure can be removed by supplying air. This is the safety booster which is able to operate braking for longer braking time and when oil pressure is lowered.

● SPECIFICATION

· USABLE FLUID	BRAKE FLUIDS (FOR CAR)
· MASTER CYLINDER	3/4B×35ST (DB-2204S/01)
· AIR CYLINDER	φ100×35ST
· PRODUCED AIR PRESSURE (MPa)	3-7
· RELEASED AIR PRESSURE (MPa)	0.2-0.4

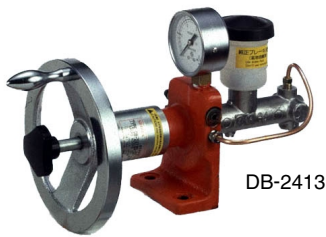


Oil to be used: Use Brake Oil (Vegetable Oil).

## DB-2413-2415 Manual Operate Power Unit

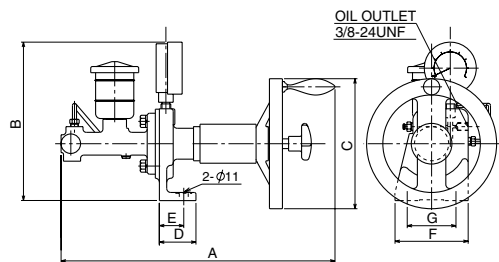
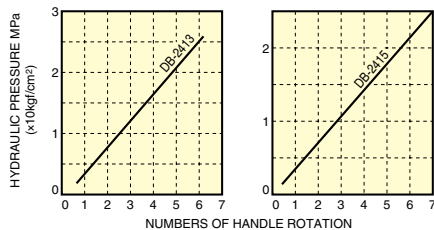
[ Power Unit Manual Operate ]

High oil pressure can be obtained through built-in spring by rotating handle. Braking force of long time for tention brake and of delicacy can be acquired.



DB-2413

● CHARACTERISTIC CURVE



● DIMENSION LIST

Model Type	A	B	C	D	E	F	G	Discharge Oil Volume (cc)
DB-2413	337	195	160	45	30	90	60	5
DB-2415	413	265	160	40	25	100	75	12

Oil to be used: Use Brake Oil (Vegetable Oil). Also Brakes for Mineral Oil are Available.

·Dimensions and specifications might be changed for improvement without notice.