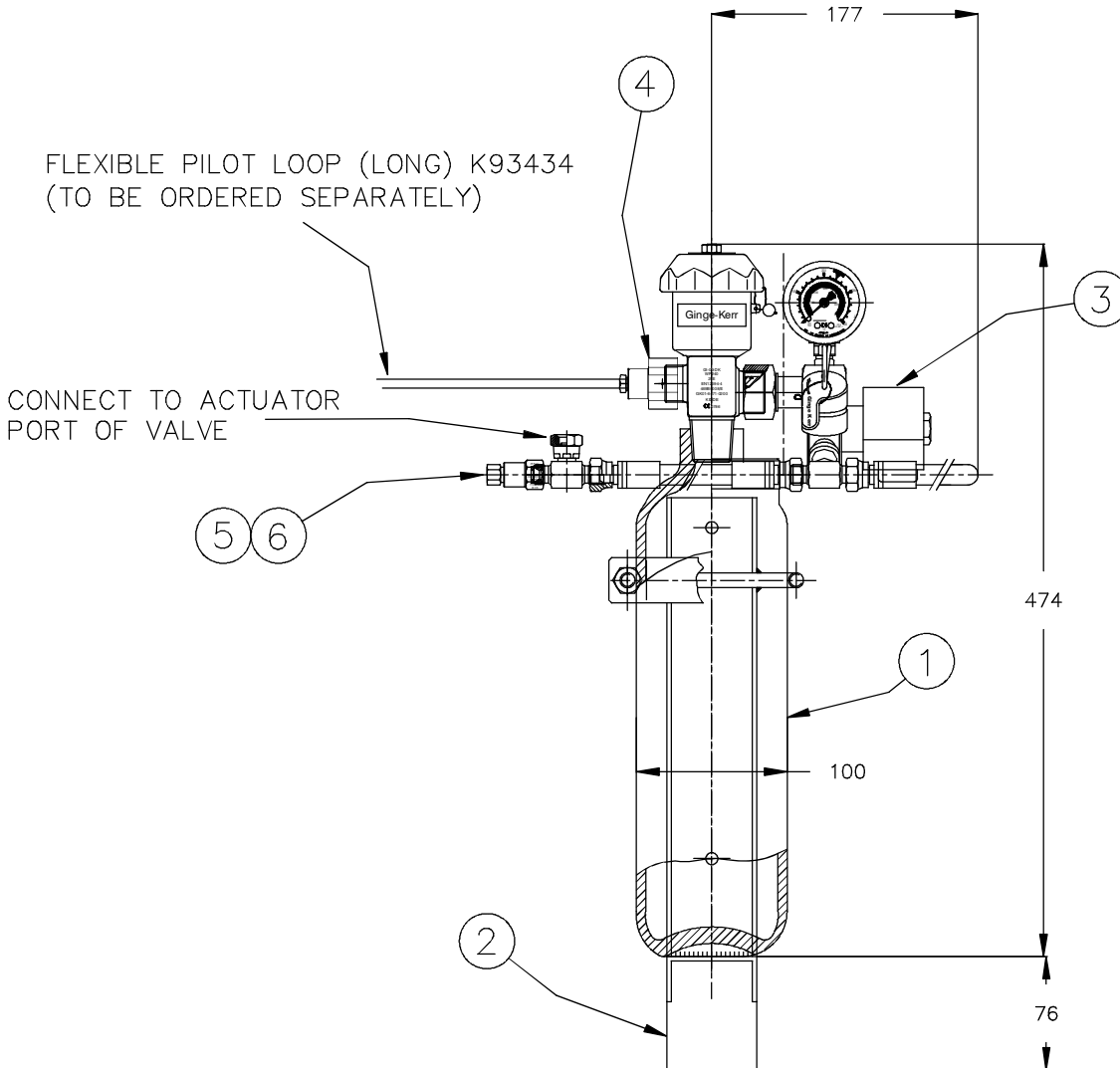


CARBON DIOXIDE SYSTEM – 65 BAR N2 PILOT CYLINDER ASSEMBLY KIT



ITEM	PART No.	DESCRIPTION	QTY
1	01-1365-5902	PILOT CYL ASSY 2L N2 65 BAR @ 20 DEG C	1
2	03-4577-0000	BRACKET – 2L PILOT CYLINDER DIA 100mm	1
3	01-7172-1065	RELEASE UNIT 65 BAR – CO2 PILOT	1
4	01-6471-1004	ADAPTOR M25 x 3/8" – PILOT CO2	1
5	01-3388-0000	1/4" LEAK/BLEEDER UNIT FOR PILOT LINE	1
6	15-8653-0814	Copper Washer for Actuator End Cap	1

ALL DIMENSIONS IN mm's UNLESS OTHERWISE STATED

2	6.10.14	01-1365-5902 WAS 01-1368-5902 IN ERROR – DCN-14-072	MS
1	8.09.14	FIRST ISSUE	CJ
REV	DATE	REASON FOR ISSUE	APP