

MOTORI ASINCRONI MONOFASI

CON ROTORE A GABBIA
COSTRUZIONE CHIUSA
VENTILAZIONE ESTERNA

Tipo FC - M Tipo FC - Md
UNEL 13117-71 - Forma B5
Grandezze 56-112

ASYNCHRONOUS SINGLE-PHASE MOTORS

WITH SQUIRREL CAGE ROTOR
ENCLOSED CONSTRUCTION
EXTERNAL VENTILATION

Type FC - M Type FC - Md
UNEL 13117-71 - Frame B5
Sizes 56-112

EINPHASEN- WECHSELSTROMMOTOREN

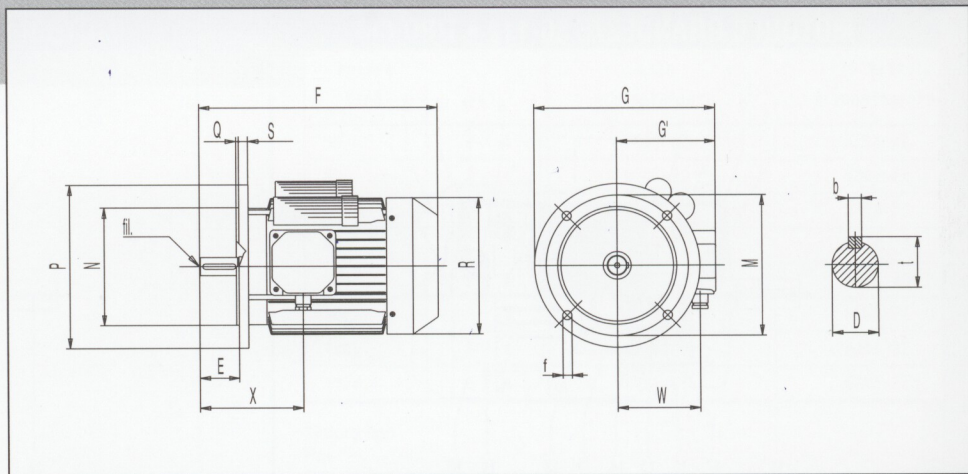
MIT KÄFIGLÄUFER
GESCHLOSSENE AUSFÜHRUNG
OBERFLÄCHENKÜHLUNG

Type FC - M Type FC - Md
UNEL 13117-71 - Bauart B5
Baugösse 56-112

DIMENSIONI D'INGOMBRO in mm.

OVERALL DIMENSIONS in mm.,

MASSE in mm.



Tipo	Quota											
	D	E	F	f	G	M	N	P	Q	R	S	N. fori flangia
FC 56-M	9 _{j6}	20	187	8.5	153	101.5	80 _{j6}	120	3	150	9	4
FC 63-M	11 _{j6}	23	212	9.5	165	115	95 _{j6}	140	3	160	10	4
FC 71-M	14 _{j6}	30	238	9.5	195	130	110 _{j6}	160	3.5	170	10	4
FC 80-M -Md	19 _{j6}	40	274	11.5	226	165	130 _{j6}	200	3.5	210	12	4
FC 90S-M -Md	24 _{j6}	50	297	11.5	242	165	130 _{j6}	200	3.5	235	12	4
FC 90L-M -Md	24 _{j6}	50	322	11.5	242	165	130 _{j6}	200	3.5	235	12	4
FC 100L -Md	28 _{j6}	60	361	14	280	215	180 _{j6}	250	4	240	14	4
FC 112M -Md	28 _{j6}	60	377	14	291	215	180 _{j6}	250	4	285	14	4

Tipo Quota N. fori flangia
Type Dimension Flange holes nr.
Type Mass Anzahl der Flanschlöcher

Tipo	Quota							
	G'	X	W	b	t	pressacavo	foro filettato	
FC 56-M	93	89	68	3	10.2	Pg 11	-----	
FC 63-M	95	86	68	4	12.5	Pg 11	M 4x0.7	
FC 71-M	115	111	88	5	16	Pg 11	M 5x0.8	
FC 80-M -Md	126	113	96	6	21.5	Pg 11	M 6x1	
FC 90S-M -Md	142	134	115	8	27	Pg 13.5	M 8x1.25	
FC 90L-M -Md	142	134	115	8	27	Pg 13.5	M 8x1.25	
FC 100L -Md	155	160	123	8	31	Pg 13.5	M10x1.5	
FC 112M -Md	166	156	134	8	31	Pg 13.5	M10x1.5	

Tipo Quota Pressacavo Foro filettato
Type Dimension Cable-holder Threaded hole
Type Mass PG-Verschraubung Gewindebohrung